

# SERVICE MANUAL



## Video Cassette Recorder



(VHR-H803E)



**VHR-M263EV**

(Product Code : 143 182 49)  
(Europe)

**VHR-M273SP**

(Product Code : 143 182 47)  
(Spain)

**VHR-M293E**

(Product Code : 143 182 45)  
(U.K.)

**VHR-H773EV**

(Product Code : 143 182 48)  
(Europe)

**VHR-H773SP**

(Product Code : 143 182 46)  
(Spain)

**VHR-H793E**

(Product Code : 143 182 44)  
(U.K.)

**VHR-H803E**

(Product Code : 143 182 43)  
(U.K.)

## **REFERENCE**

- **2HD : VHR-M293E / VHR-M273SP  
VHR-M263EV**
- **4HD Hi-Fi : VHR-H793E / VHR-H803E  
VHR-H773SP / VHR-H773EV**
- **With Front A/V : VHR-H803E / VHR-M273SP  
VHR-H773SP**
- **Without Front A/V : VHR-M293E/  
VHR-H773EV/  
VHR-M263EV/  
VHR-H793E**

# TABLE OF CONTENTS

## SECTION 1 SUMMARY

KEY TO ABBREVIATIONS .....	1-2
PRODUCT SAFETY SERVICING GUIDELINES FOR VIDEO PRODUCTS .....	1-3
SERVICING PRECAUTIONS .....	1-4
PROPOSAL FOR APPLYING SHORT PROTECTION .....	1-5
SERVICE NOTICE ON REPLACING EEPROM ..	1-6
SERVICE INFORMATION FOR EEPROM IC SETTING .....	1-7
SPECIFICATIONS .....	1-8

## SECTION 2 CABINET & MAIN CHASSIS

SERVICE METHOD .....	2-1
Electrical Part .....	2-1
EXPLODED VIEWS .....	2-2
1. Cabinet & Main Frame Section .....	2-2
2. Packing & Accessory Section .....	2-3

## SECTION 3 ELECTRICAL

ELECTRICAL ADJUSTMENT POINTS ARRANGEMENT .....	3-1
ELECTRICAL ADJUSTMENT PROCEDURES ..	3-2
1. Servo Circuit .....	3-2
ELECTRICAL TROUBLESHOOTING GUIDE ...	3-4
1. Power Circuit(SMPS) .....	3-4
2. Servo Circuit .....	3-7
3. System & Front Panel Circuit .....	3-10
4. Y/C Circuit .....	3-12
5. Tuner/IF Circuit .....	3-16
6. Hi-Fi Circuit .....	3-19
BLOCK DIAGRAMS .....	3-21
1. Power Block Diagram .....	3-21
2. Tuner/IF, NICAM & A2 Block Diagram .....	3-23
3. VPS Block Diagram .....	3-24
4. Y/C Block Diagram .....	3-25
5. Hi-Fi Block Diagram .....	3-26
6. System Block Diagram .....	3-27

CIRCUIT DIAGRAMS .....	3-29
1. Power Circuit Diagram .....	3-29
2. Tuner, NICAM/A2 Circuit Diagram .....	3-31
3. AVCP, SECAM, VPS Circuit Diagram .....	3-33
4. System Circuit Diagram .....	3-36
5. Hi-Fi, SCART Circuit Diagram .....	3-39
6. Key Circuit Diagram .....	3-42
• CIRCUIT VOLTAGE CHART .....	3-43
PRINTED CIRCUIT BOARD DIAGRAMS .....	3-47
1. MAIN P.C.Board .....	3-47
2. KEY (LEFT) P.C.Board .....	3-49

## SECTION 4 MECHANISM

**NOTE)** The table of contents for this section is edited separately.

## SECTION 5 REPLACEMENT PARTS LIST

VHR-M293E .....	5-1
VHR-H793E .....	5-13
VHR-H803E .....	5-27
VHR-M263EV .....	5-41
VHR-H773EV .....	5-53
VHR-M273SP(Spain) .....	5-67
VHR-H773SP(Spain) .....	5-79

# SECTION1 SUMMARY

## KEY TO ABBREVIATIONS

A	AC	:Alternating Current
	ACC	:Automatic Color Control
	ACSS	:Automatic Channel Setting System
	ADJ	:Adjust
	A/E	:Audio Erase
	AFC	:Automatic Frequency Control
	AFT	:Automatic Fine Tuning
	AGC	:Automatic Gain Control
	A.H.SW	:Audio Head Switch
	ALC	:Automatic Level Control
	AM	:Amplitude Modulation
	AMP	:Amplifier
	ANT	:Antenna
	APC	:Automatic Phase Control
	ASS'Y	:Assembly
	AUX	:Auxiliary
<hr/>		
B	B	:Base
	BGP	:Burst Gate Pulse
	BPF	:Bandpass Filter
	BS	:Broadcasting Satellite
	BW or B/W	:Black and White
<hr/>		
C	C	:Capacitor, Chroma, Collector
	CAN	:Cancel
	CAP	:Capstan
	CAP.BRK	:Capstan Brake
	CAP.RVS	:Capstan Reverse
	CATV	:Cable Television
	CBA	:Circuit Board Assembly
	CCD	:Charge Coupled Device
	C.CTL	:Chro Control, Capstan Control
	CFG	:Capstan Frequency Generator
	CHROMA	:Chrominance
	CNR	:Chroma Noise Redution
	COMB	:Combination
		Comb Filter
	COMP	:Comparator
		Composite
		Compensation
	CONV	:Converter
	C.ROT SW	:Color Rotary Switch
	CS	:Chip Selcet
	C.SYNC	:Composite Synchronization
	CTL DIV	:Control Divide
	CUR	:Current
	CYL	:Cylinder
<hr/>		
D	D	:Drum, Digital, Diode, Drain
	D.ADJ	:Drum Adjust
	DC	:Direct Current
	D.CTL	:Drum Control
	DEMODO	:Demodulator
	DET	:Detector
	DEV	:Deviation
	DHP	:Double High Pass
	DIGITRON	:Digital Display Tube
	DL	:Delay line
	DOC	:Drop Out Compensator
	DUB	:Dubbing
	D.V SYNC	:Dummy Vertical Synchronization
<hr/>		
E	E	:Emitter
	EE	:Electric to Eletric
	EMPH	:Emphasis
	ENA	:Enable
	ENV	:Envelope
	EP	:Extended Play
	EQ	:Equalizer
	EXP	:Expander
<hr/>		
F	F	:Fuse
	FB	:Feed Back
	FBC	:Feed Back Clamp
	FE	:Full Erase
	FG	:Frequency Generator
	FL	:Filter
	FM	:Frequency Modulation
	F/R	:Front/Rear
	FS	:Frequency Synthesizer
	FSC	:Subcarrier Frequency
	F/V	:Frequency Voltage
<hr/>		
G	GEN	:Generator
<hr/>		
H	H	:High, Horizontal
<hr/>		
I	IC	:Integrated Circuit
	IF	:Intermediate Frequency
	INS	:Insert
<hr/>		
L	L	:Low, Left, Coil
	LD	:LED
	LD VTG CTL	:Loading Voltage Control
	LECHA	:Letter Character
	L.M	:Level Meter
	LP	:Long Play

	LPF	:Low Pass Filter
<hr/>		
M	MAX	:Maximum
	MD	:Modulator
	MECHA.CTL	:Mechanism Control
	MIC	:Microphone
	MIN	:Minimum
	MIX	:Mixer, Mixing
	M.M.	:Monostable, Multivibrator
	MMV	:Mono Multi Vibrator
	MOD	:Modulation, Modulator
	MODEM	:Modulator-Demodulator
	MPX	:Multiplex
<hr/>		
N	NR	:Noise Reduction
<hr/>		
O	OSC	:Oscillator
	OSD	:On Screen Display
<hr/>		
P	PB	:Playback
	PCB	:Printed Circuit Board
	P.CTL	:Power Control
	PRE-AMP	:Preamplifier
	P.F	:Power Failure
	PG	:Pulse Generator
	PLL	:Phase Locked Loop
	PREM.DET	:Premire Detect
	P.P	:Peak-to-Peak
	PS	:Phase Shift
	PWM	:Pulse Width Modulation
	PWR CTL	:Power Control
<hr/>		
Q	Q	:Transistor
	QH	:Quasi Horizontal
	QSR	:Quick Setting Record
	QTR	:Quick Timer Record
	QV	:Quasi Vertical
<hr/>		
R	R	:Resistor, Right
	RE(or RC)	:Remocon, Receiver
	REC	:Recording
	REC S 'H'	:Record Start 'High'
	REF	:Reference
	REG	:Regulated, Regulator
	REMOCON	:Remote Control(unit)
	RF	:Radio Frequency
	R/P	:Record/Playback
	RTC	:Reel Time Counter
<hr/>		
S	S	:Serial
	S.ACCEL	:Slow Accel
	SAOP	:Second Audio Program
	SC	:Scart, Simulcast
	S.DET	:Secam Detect
	SH	:Shift
	SHARP	:Sharpness
	SIF	:Sound Intermediate Frequency
	SLD	:Side Locking
	S/N	:Signal to Noise Ratio
	SP	:Standard Play
	ST	:Stereo
	SUB	:Subtract, Subcarrier
	SW or S/W	:Switch
	SYNC	:Synchronization
	SYSCON	:System Control
<hr/>		
T	T	:Coil
	TP	:Test Point
	TR	:Transistor
	TRK	:Tracking
	TRANS	:Transformer
	TU	:Tuner, Take-up
<hr/>		
U	UHF	:Ultra High Frequency
	UNREG	:Unregulated
<hr/>		
V	V	:Volt, Vertical
	VA	:Always Voltage
	VCO	:Voltage Controlled Oscillator
	VGC	:Voltage Gain Control
	VHF	:Very High Frequency
	V.H.SW	:Video Head Switch
	VISS	:VHS Index Search
	VPS	:Video Program System
	VR	:Variable Resistor or Volume
	V-SYNC	:Vertical Synchronization
	VTG	:Voltage
	VV	:Voltage to Voltage
	VXO	:Voltage X-tal Oscillator
<hr/>		
W	W	:Watt
	WHT	:White
	W/O	:With out
<hr/>		
X	X-TAL	:Crystal
<hr/>		
Y	Y/C	:Luminance/Chrominance
	YNR	:Luminance Noise Reduction
<hr/>		
Z	ZD	:Zener Diode

# PRODUCT SAFETY SERVICING GUIDELINES FOR VIDEO PRODUCTS

## IMPORTANT SAFETY NOTICE

This manual was prepared for use only by properly trained audio-video service technicians.

When servicing this product, under no circumstances should the original design be modified or altered without permission from SANYO Electronics Corporation. All components should be replaced only with types identical to those in the original circuit and their physical location, wiring and lead dress must conform to original layout upon completion of repairs.

Special components are also used to prevent x-radiation, shock and fire hazard. These components are indicated by the letter "x" included in their component designators and are required to maintain safe performance. No deviations are allowed without prior approval by SANYO Corporation.

Circuit diagrams may occasionally differ from the actual circuit used. This way, implementation of the latest safety and performance improvement changes into the set is not delayed until the new service literature is printed.

**CAUTION:** Do not attempt to modify this product in any way. Never perform customized installations without manufacturer's approval. Unauthorized modifications will not only void the warranty, but may lead to property damage or user injury.

Service work should be performed only after you are thoroughly familiar with these safety checks and servicing guidelines.

## GRAPHIC SYMBOLS



The exclamation point within an equilateral triangle is intended to alert the service personnel to important safety information in the service literature.



The lightning flash with arrowhead symbol within an equilateral triangle is intended to alert the service personnel to the presence of noninsulated "dangerous voltage" that may be of sufficient magnitude to constitute a risk of electric shock.



The pictorial representation of a fuse and its rating within an equilateral triangle is intended to convey to the service personnel the following fuse replacement caution notice:

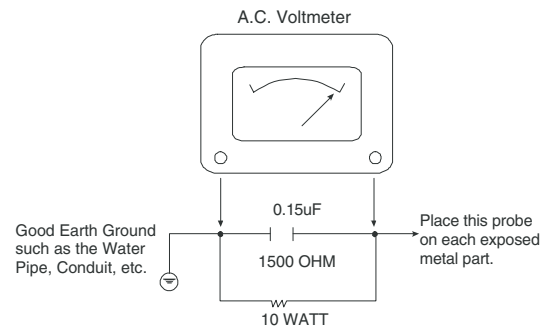
**CAUTION:** FOR CONTINUED PROTECTION AGAINST RISK OF FIRE, REPLACE ALL FUSES WITH THE SAME TYPE AND RATING AS MARKED NEAR EACH FUSE.

## SERVICE INFORMATION

While servicing, use an isolation transformer for protection from AC line shock. After the original service problem has been corrected, make a check of the following:

### FIRE AND SHOCK HAZARD

1. Be sure that all components are positioned to avoid a possibility of adjacent component shorts. This is especially important on items transported to and from the repair shop.
2. Verify that all protective devices such as insulators, barriers, covers, shields, strain reliefs, power supply cords, and other hardware have been reinstalled per the original design. Be sure that the safety purpose of the polarized line plug has not been defeated.
3. Soldering must be inspected to discover possible cold solder joints, solder splashes, or sharp solder points. Be certain to remove all loose foreign particles.
4. Check for physical evidence of damage or deterioration to parts and components, for frayed leads or damaged insulation (including the AC cord), and replace if necessary.
5. No lead or component should touch a high current device or a resistor rated at 1 watt or more. Lead tension around protruding metal surfaces must be avoided.
6. After reassembly of the set, always perform an AC leakage test on all exposed metallic parts of the cabinet (the channel selector knobs, antenna terminals, handle and screws) to be sure that set is safe to operate without danger of electrical shock. **DO NOT USE A LINE ISOLATION TRANSFORMER DURING THIS TEST.** Use an AC voltmeter having 5000 ohms per volt or more sensitivity in the following manner: Connect a 1500 ohm, 10 watt resistor, paralleled by a .15 mfd 150V AC type capacitor between a known good earth ground water pipe, conduit, etc.) and the exposed metallic parts, one at a time. Measure the AC voltage across the combination of 1500 ohm resistor and .15 mfd capacitor. Reverse the AC plug by using a non-polarized adaptor and repeat AC voltage measurements for each exposed metallic part. Voltage measured must not exceed 0.75 volts RMS. This corresponds to 0.5 milliamp AC. Any value exceeding this limit constitutes a potential shock hazard and must be corrected immediately.



## X-RADIATION

1. Be sure procedures and instructions to all service personnel cover the subject of x-radiation. The only potential source of x-rays in current TV receivers is the picture tube. However, this tube does not emit x-rays when the HV is at the factory-specified level. The proper value is given in the applicable schematic. Operation at higher voltages may cause a failure of the picture tube or high-voltage supply and, under certain circumstances may produce radiation in excess of desirable levels.
2. Only factory-specified CRT anode connectors must be used.
3. It is essential that the service personnel have available an accurate and reliable high-voltage meter.
4. When the high-voltage circuitry is operating properly, there is no possibility of an x-radiation problem. Every time a chassis is serviced, the brightness should be run up and down while monitoring the high voltage with a meter, to be certain that the high voltage does not exceed the specified value and that it is regulating correctly.
5. When troubleshooting and making test measurements in a product with a problem of excessively high voltage, avoid being unnecessarily close to the picture tube and the high voltage power supply. Do not operate the product longer than necessary to locate the cause of excessive voltage.
6. Refer to the CRT Anode High Voltage Measurement and Shutdown Adjustment procedures described in the appropriate text (where used).

## IMPLOSION

1. All direct view picture tubes are equipped with an integral implosion protection system; take care to avoid damage during installation.
2. Use only the recommended factory replacement tubes.

## TIPS ON PROPER INSTALLATION

1. Never install any receiver in a closed-in recess, cubbyhole, or closely fitting shelf space over, or close to, a heat duct, or in the path of heated air flow.
2. Avoid conditions of high humidity such as: outdoor patio installations where dew is a factor, near steam radiators where steam leakage is a factor, etc.
3. Avoid placement where draperies may obstruct venting. The customer should also avoid the use of decorative scarves or other coverings that might obstruct ventilation.
4. Wall- and shelf-mounted installations using a commercial mounting kit must follow the factory-approved mounting instructions. A product mounted to a shelf or platform must retain its original feet (or the equivalent thickness in spacers) to provide adequate air flow across the bottom. Bolts or screws used for fasteners must not touch any parts or wiring. Perform leakage tests on customized installations.
5. Caution customers against mounting a product on a sloping shelf or in a tilted position, unless the receiver is properly secured.
6. A product on a roll-about cart should be stable in its mounting to the cart. Caution the customer on the hazards of trying to roll a cart with small casters across thresholds or deep pile carpets.
7. Caution customers against using a cart or stand that has not been listed by Underwriters Laboratories, Inc. for use with its specific model of television receiver or generically approved for use with TVs of the same or larger screen size.
8. Caution customers against using extension cords. Explain that a forest of extensions, sprouting from a single outlet, can lead to disastrous consequences to home and family.

# SERVICING PRECAUTIONS

**CAUTION :** Before servicing the VCR covered by this service data and its supplements and ADDENDUMS, read and follow the *SAFETY PRECAUTIONS*. **NOTE :** if unforeseen circumstances create conflict between the following servicing precautions and any of the safety precautions in this publication, always follow the safety precautions.

*Remember Safety First:*

## General Servicing Precautions

1. Always unplug the VCR AC power cord from the AC power source before:
  - (1) Removing or reinstalling any component, circuit board, module, or any other assembly.
  - (2) Disconnection or reconnecting any internal electrical plug or other electrical connection.
  - (3) Connecting a test substitute in parallel with an electrolytic capacitor.  
**Caution :** A wrong part substitution or incorrect polarity installation of electrolytic capacitors may result in an explosion hazard.
2. Do not spray chemicals on or near this VCR or any of its assemblies.
3. Unless specified otherwise in this service data, clean electrical contacts by applying an appropriate contact cleaning solution to the contacts with a pipe cleaner, cotton-tipped swab, or comparable soft applicator. Unless specified otherwise in this service data, lubrication of contacts is not required.
4. Do not defeat any plug/socket B+ voltage interlocks with which instruments covered by this service manual might be equipped.
5. Do not apply AC power to this VCR and/or any of its electrical assemblies unless all solid-state device heat sinks are correctly installed.
6. Always connect test instrument ground lead to the appropriate ground before connection the test instrument positive lead. Always remove the test instrument ground lead last.

## Insulation Checking Procedure

Disconnect the attachment plug from the AC outlet and turn the power on. Connect an insulation resistance meter(500V) to the blades of the attachment plug. The insulation resistance between each blade of the attachment plug and accessible conductive parts (Note 1) should be more than 1M-ohm.

**Note 1 :** Accessible Conductive Parts including Metal panels, Input terminals, Earphone jacks, etc.

## Electrostatically Sensitive (ES) Devices

Some semiconductor (solid state) devices can be damaged easily by static electricity. Such components commonly are called Electrostatically Sensitive (ES) Devices. Examples of typical ES devices are integrated circuits and some field effect transistors and semiconductor chip components.

The following techniques should be used to help reduce the incidence of component damage caused by static electricity.

1. Immediately before handling any semiconductor component or semiconductor-equipped assembly, drain off any electrostatic charge on your body by touching a known earth ground. Alternatively, obtain and wear a commercially available discharging wrist strap device, which should be removed for potential shock reasons prior to applying power to the unit under test.
2. After removing an electrical assembly equipped with ES devices, place the assembly on a conductive surface such as aluminum foil, to prevent electrostatic charge buildup or exposure of the assembly.
3. Use only a GROUNDED-tip soldering iron to solder or unsolder ES devices.
4. Use only an anti-static solder removal device. Some solder removal devices not classified a "anti-static" can generate electrical charges sufficient to damage ES devices.
5. Do not use freon-propelled chemicals. These can generate electrical charge sufficient to damage ES devices.
6. Do not remove a replacement ES device from its protective package until immediately before you are ready to install it. (Most replacement ES devices are packaged with leads electrically shorted together by conductive foam, aluminum foil, or comparable conductive material).
7. Immediately before removing the protective material from the leads of a replacement ES device, touch the protective material to the chassis or circuit assembly into which the device will be installed.

**Caution :** Be sure no power is applied to the chassis or circuit, and observe all other safety precautions.

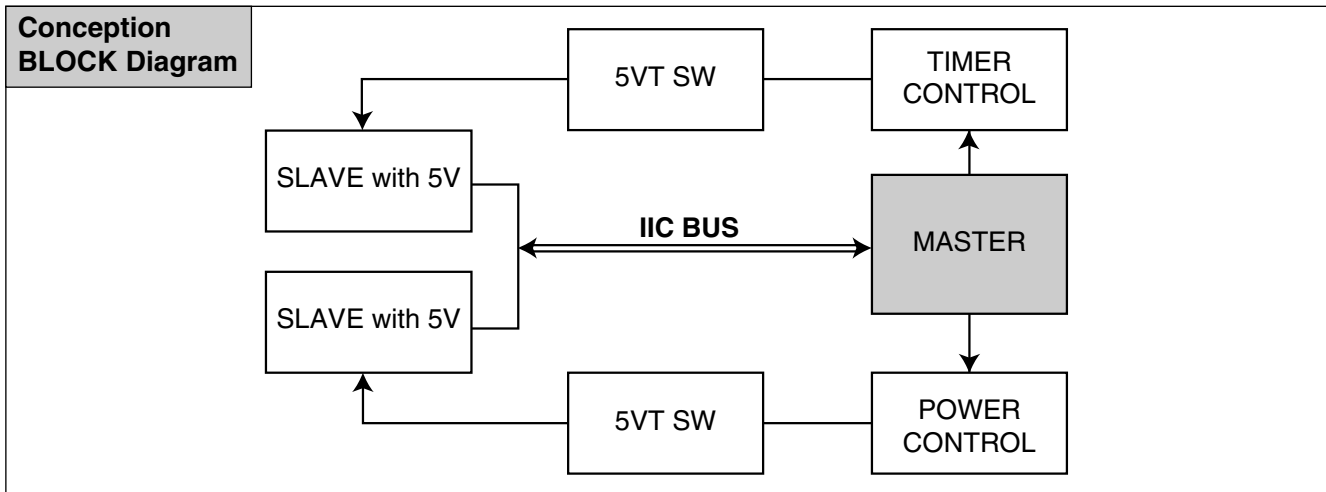
8. Minimize bodily motions when handling unpackaged replacement ES devices. (Normally harmless motion such as the brushing together of your clothes fabric or the lifting of your foot from a carpeted floor can generate static electricity sufficient to damage an ES device.)

# PROPOSAL FOR APPLYING SHORT PROTECTION

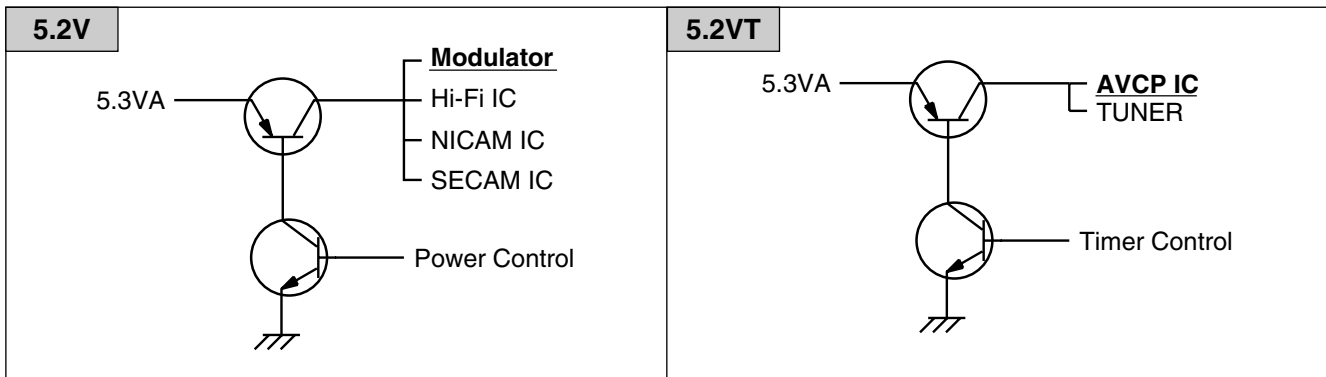
## • The Contents of Examination

As all the IC that is applied to VCR is controlled by IIC, mutual communication, if Vcc of IC is short or open with detecting 'Acknowledge' data of the specific IC according to each power(5V, 5VT)  $\mu$ -COM gets unable to detect 'ACK' data.

$\mu$ -COM regards this case as abnormal one and if it can't detect 'ACK' data for a certain time(3.5 sec) the signal of 'Power Control' and 'Timer Control' are switched to 'Low'. As a result POWER Switching TR is kept from generating heat and fire.



## • POWER for each IC



• IC to detect 'ACK' data is selected as below because IC is different in accordance to region and option

5V POWER	Modulator
5VT POWER	AVCP IC

\*Short protection off mode : DJ01 Diode in

## SERVICE NOTICE ON REPLACING EEPROM

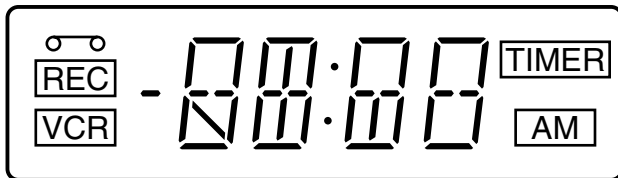
In case that defective EEPROM of PAL models is replaced, to operate these sets from the initial state MP KEY must be repaired as well before delivering to the customer.

If MP KEY isn't repaired the setting of RF OUT channel or LANGUAGE might be different from that for customer's country.

•**MP KEY** : In case of PAL VCR if holding the REC button on the front panel and the CLEAR button 2'nd remote control handset for 5 ~ 7 seconds with power being switch all and no tapes, OK is LED becomes on.

This is the state that initializing EEPROM is finished.

•**MP KEY's function** : MP KEY sets EEPROM's data up to the initial state.



• **LED CLOCK MODEL:**  
MP KEY Switch all on a Light



# SERVICE INFORMATION FOR EEPROM IC SETTING

## EEPROM option code No. setting

NAME	HEX	BINARY
OPT1	00	00000000
OPT2	00	00000000
OPT3	00	00000000
OPT4	00	00000000
OPT5	00	00000000
OPT6	00	00000000

WR : OK I : EXIT MOVE : ◀ ▶  
 EDIT : ▲ ▼

MASKROM : R00  
 EEPROM : R00 LG CODE

MODEL	NAME	HEX	BINARY
VHR-M293E	OPTION1	02	00000000
	OPTION2	C0	00000000
	OPTION3	82	00000000
	OPTION4	F3	00000000
	OPTION5	00	00000000
	OPTION6	03	00000000
VHR-H793E	OPTION1	2C	00000000
	OPTION2	C2	00000000
	OPTION3	82	00000000
	OPTION4	F3	00000000
	OPTION5	00	00000000
	OPTION6	03	00000000
VHR-H803E	OPTION1	BC	00000000
	OPTION2	D3	00000000
	OPTION3	8A	00000000
	OPTION4	F3	00000000
	OPTION5	00	00000000
	OPTION6	03	00000000
VHR-M293IR	OPTION1	02	00000000
	OPTION2	C1	00000000
	OPTION3	82	00000000
	OPTION4	F4	00000000
	OPTION5	00	00000000
	OPTION6	00	00000000
VHR-H793IR	OPTION1	AC	00000000
	OPTION2	C3	00000000
	OPTION3	8A	00000000
	OPTION4	F4	00000000
	OPTION5	00	00000000
	OPTION6	00	00000000
VHR-M263EV	OPTION1	02	00000000
	OPTION2	C2	00000000
	OPTION3	C0	00000000
	OPTION4	82	00000000
	OPTION5	F1	00000000
	OPTION6	31	00000000
VHR-H773EV	OPTION1	AC	00000000
	OPTION2	C1	00000000
	OPTION3	8A	00000000
	OPTION4	F1	00000000
	OPTION5	31	00000000
	OPTION6	08	00000000

## EEPROM option code No. setting procedure

1. DETECT NEW EEPROM (OPTION EDIT SCREEN)
  - Eeprom EDIT screen automatically appears if replacing Eeprom.
  - Setup option data using the cursor Up/Down key of a remote control.  
(Setup upon BOM depending on OPT1~OPT6 model)
  - Since an initial remote control is set to LG for LG model, appropriately set optional data using the cursor Up/Down key.
2. EEPROM WRITED COMPLETE SCREEN
  - Writes data on EEPROM by using REMOCON "OK".
  - If completing the option data screen with a menu key, Powering Off is automatically done and the option edit screen is arranged.
3. PG ADJUST
  - a) Insert the PAL SP Test Tape and play.  
 Note - Adjust the distance of X, pressing the Tracking(+) or Tracking(-) when the "ATR" is blink after the PAL SP Test Tape is inserted.
  - b) Press the Auto PG KEY on JIG Remocon(1'st) or Press "REC" key on set and "CLEAR" key on Remocon.(Then check the blink "TRK OK" on CLK/LED-TRK is a Initial)
  - c) Press the Auto PG Key on JIG Remocon again (2'nd) or press "REC" key on set and "CLEAR" key on Remocon again.(Then check the blink "PG NG > PG OK" on CLK/LED.)
4. EEPROM INITIAL
  - SETUP is displayed in the field if pressing the FRONT REC KEY with the remocon number "CLEAR" key pressed in the status of powering Off.
  - AUTO SEARCH is done since the initial screen of ACMS is serviced if powering On.
  - Check basic operation (PLAY/RECORD...)

MODEL	NAME	HEX	BINARY
VHR-M273SP	OPTION1	72	00000000
	OPTION2	C0	00000000
	OPTION3	82	00000000
	OPTION4	F1	00000000
	OPTION5	54	00000000
	OPTION6	08	00000000
VHR-H773SP	OPTION1	7C	00000000
	OPTION2	C0	00000000
	OPTION3	82	00000000
	OPTION4	F1	00000000
	OPTION5	54	00000000
	OPTION6	08	00000000

WR : OK I : EXIT MOVE : ◀ ▶  
 EDIT : ▲ ▼

# SPECIFICATIONS

## General

Power	: 200~240V, 50Hz
Power consumption	: Approx. 12 watts(Energy Saving mode : 3 watts)
Video Head system	: Rotary 2heads, helical scanning system (2HD MODEL) Double azimuth 4 heads, helical scanning system (4HD MONO, 4HD Hi-Fi Model)
Tape speed	: 23.39 mm/sec (SP mode)11.69 mm/sec(LP mode)
Tape format	: Tape width 1/2" (12.7 mm high density VHS tape)
Maximum recording time	: 4 hours in SP mode/8 hours in LP mode (with E-240 tape)
Rewind time	: Approx. 150 sec. (with E-180 tape)
Dimensions (W X H X D)	: 360 x 94.5 x 270 mm
Weight	: 9.0 lbs. (4.0 kg)
Operating temperature	: 41°F-95°F (5°C-35°C)
Operating humidity	: Less than 80%
Timer	: 24 hours display type

## Video

Television system	: CCIR standard (625 lines, 50 fields) PAL colour signal
Recording format	: PAL B/G (VHR-M263EV/VHR-H773EV/ VHR-M273SP/VHR-H773SP) PAL I (VHR-M293E/VHR-H793E/VHR-H803E) PAL I/I (VHR-M293IR/VHR-H793IR)
Input level	: VIDEO IN (SCART, RCA type) 1.0 Vp-p, 75 ohm, unbalanced
Output level	: VIDEO OUT (SCART type) 1.0 Vp-p, 75 ohm, unbalanced
Signal to noise ratio	: More than 43 dBm

## Audio

Input level	: AUDIO IN (SCART, RCA type) Scart type : -6.0dBm, more than 10kΩ RCA type : -6.0 dBm, more than 47kΩ
Output level	: AUDIO OUT (SCART, RCA type) Scart type : -6.0dBm, less than 1kΩ RCA type : -6.0 dBm, less than 1kΩ
Audio track	: Mono track & Hi-Fi track
Audio signal to noise ratio	: Normal : More than 70 dBm(JIS A filter)
Audio dynamic range	: Hi-Fi audio : More than 85 dBm(JIS A filter)

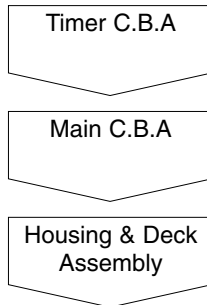
- Design and specifications are subject to change without notice.

■ :Hi-Fi Model only

# SECTION 2 CABINET & MAIN CHASSIS SERVICE METHOD

## Electrical Part

(1) Re-assembly Flow for service like Fig. 2-1

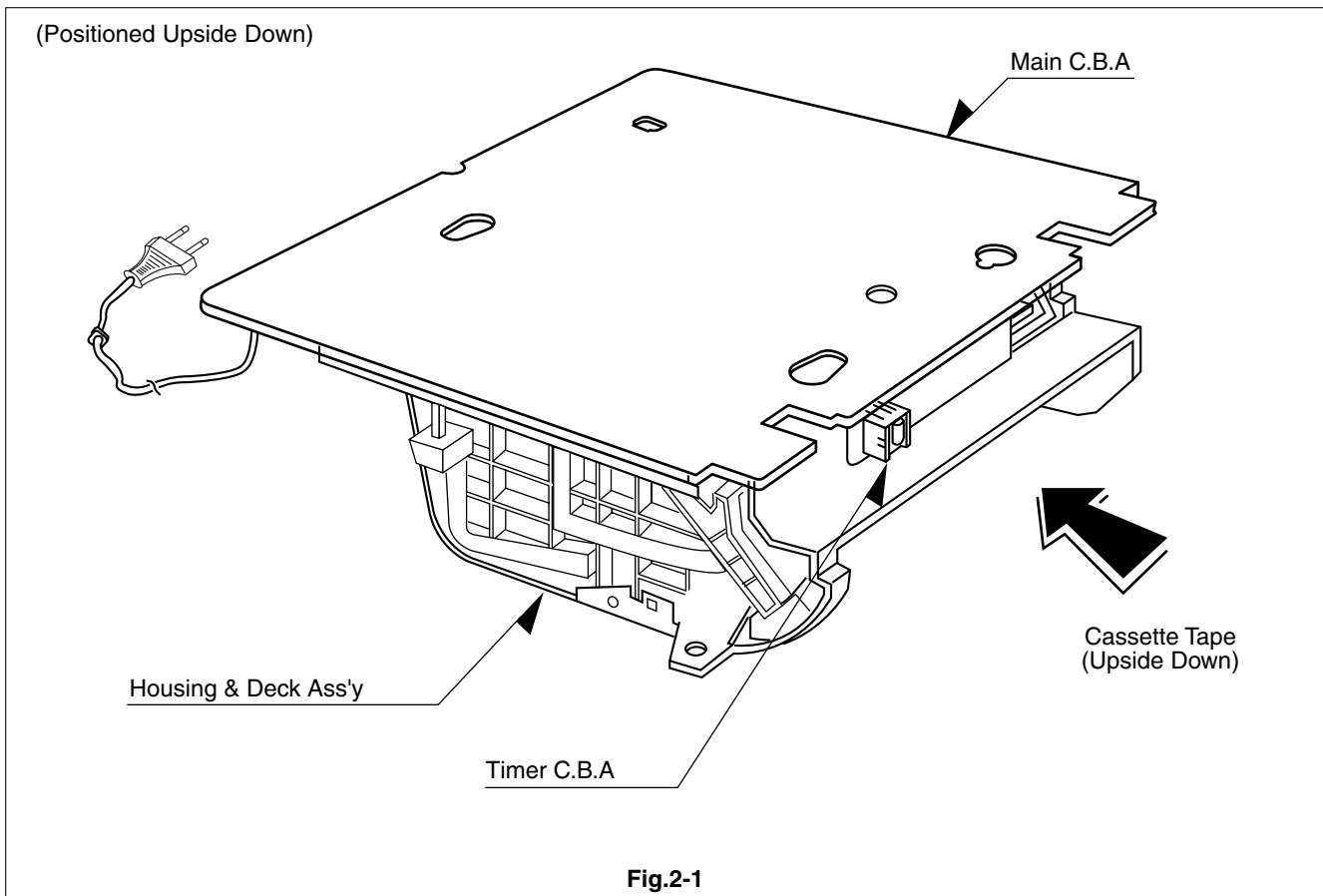


(2) To check and replace Electrical parts

- ① Re-assemble the unit according to No.1) Re-assembly Flow.
- ② Place the unit like Fig. 2-1
- ③ Check and replace Electrical parts.

### NOTE :

- ① Insert Video Cassette Tape inversely like Fig. 2-1 to check and replace defective parts.
- ② In disassembling and reassembling, be careful not to damaged CST switch.

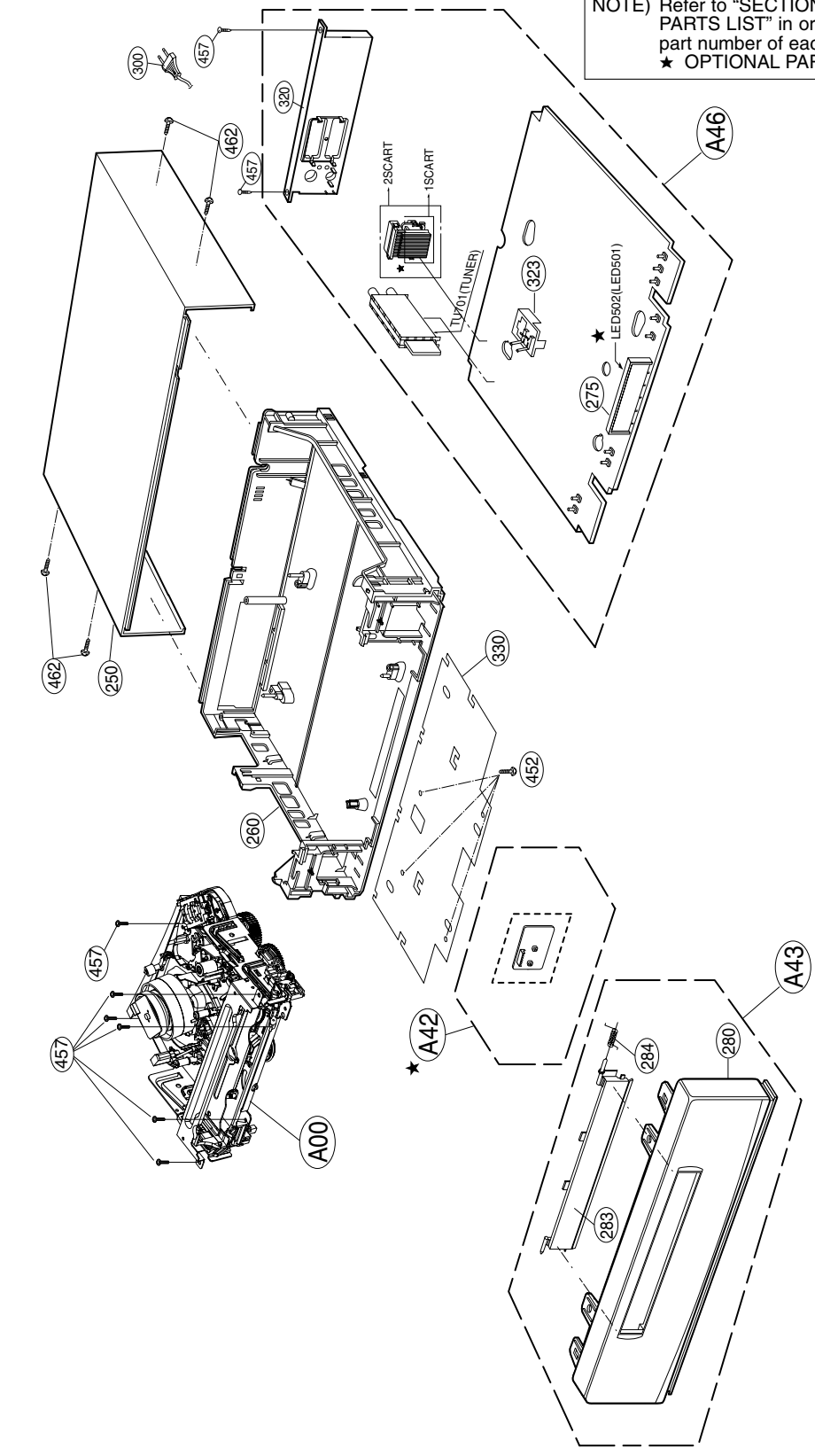


# EXPLODED VIEWS

## 1. Cabinet and Main Frame Section

NOTE) Refer to "SECTION 5 REPLACEMENT PARTS LIST" in order to look for the part number of each part.  
★ OPTIONAL PARTS

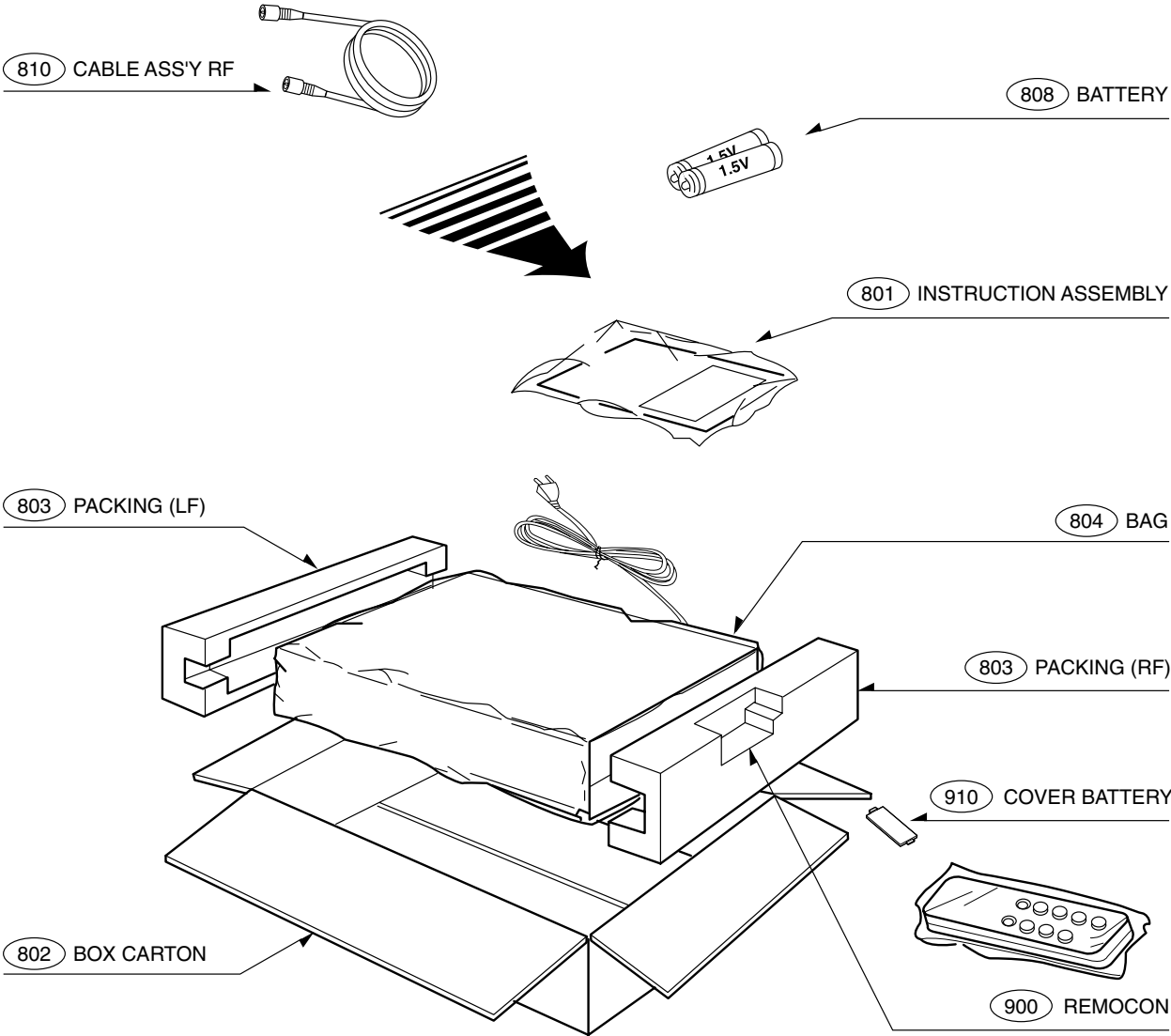
5  
4  
3  
2  
1



A B C D

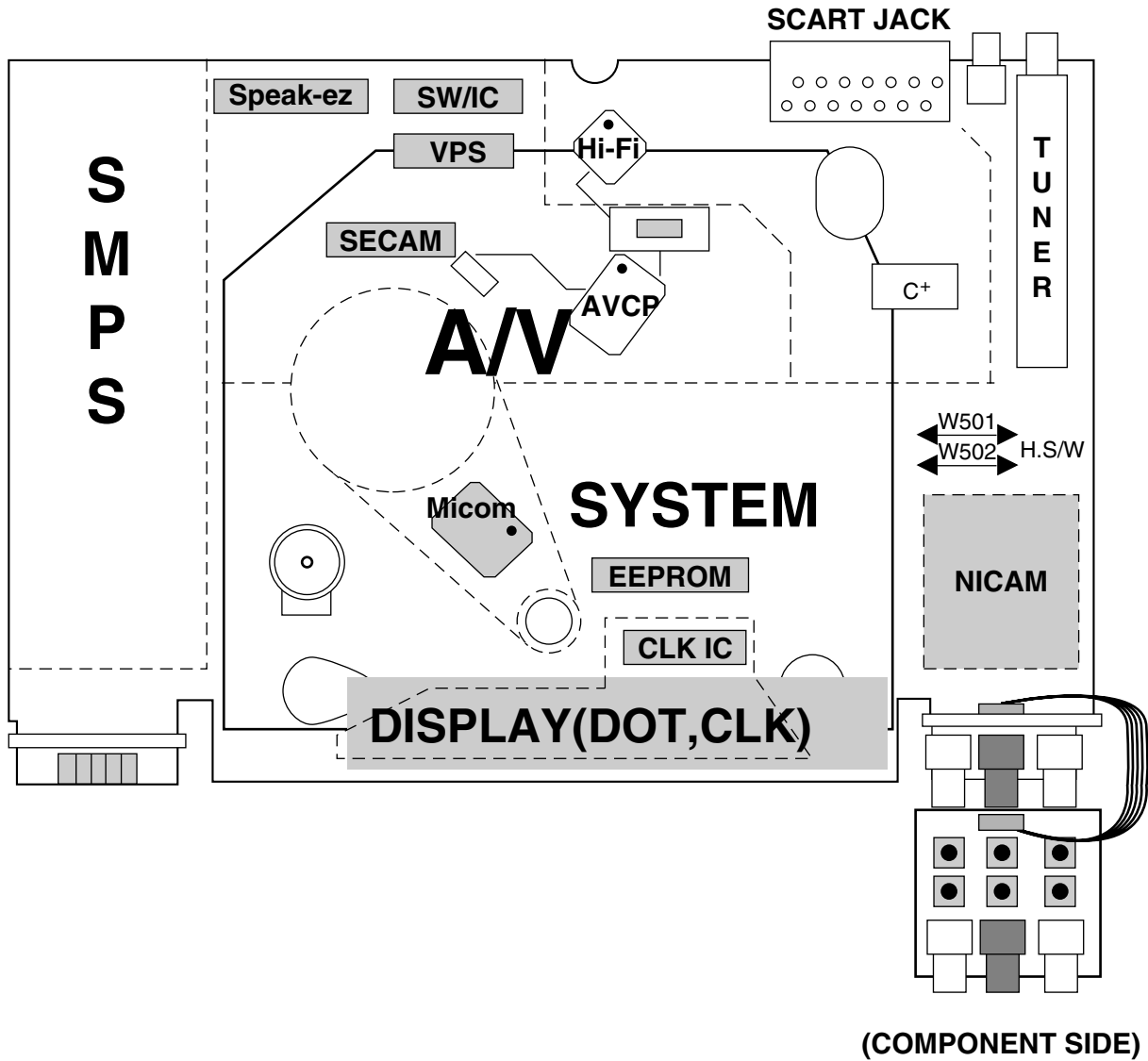
## 2.Packing Accessory Section

NOTE) Refer to "SECTION REPLACEMENT PARTS LIST" in order to look for the part number of each part.



# SECTION 3 ELECTRICAL ELECTRICAL ADJUSTMENT POINTS ARRANGEMENT

: Measurement point  
 : Adjustment point



# ELECTRICAL ADJUSTMENT PROCEDURES

## 1. Servo Adjustment

- 1) PG Adjustment
  - Test Equipment

a) OSCILLOSCOPE b) PAL TEST TAPE (VHS SP)
--

- Adjustment And Specification

MODE	MEASUREMENT POINT	ADJUSTMENT POINT	SPECIFICATION
PLAY	V.Out H/SW(W501, W502)		$6.5 \pm 0.5H$

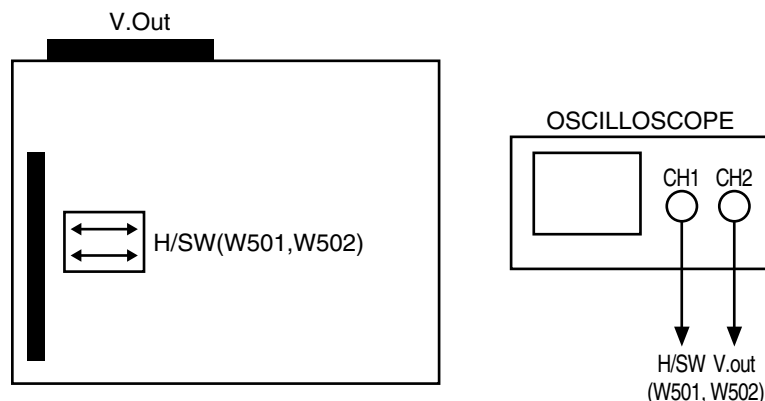
### • Adjustment Procedure

- a) Insert the PAL SP Test Tape and play.  
 Note - Adjust the distance of X, pressing the Tracking(+) or Tracking(-) when the "ATR" is blink after the PAL SP Test Tape is inserted.
- b) Press the Auto PG KEY on JIG Remocon(1'st) or Press "REC" key on set and "CLEAR" key on Remocon.(Then check the blink "TRK OK" on CLK/LED-TRK is a Initial)
- c) Press the Auto PG Key on JIG Remocon again (2'nd) or press "REC" key on set and "CLEAR" key on Remocon again.(Then check the blink "PG NG > PG OK" on CLK/LED.)

### • Check the PG

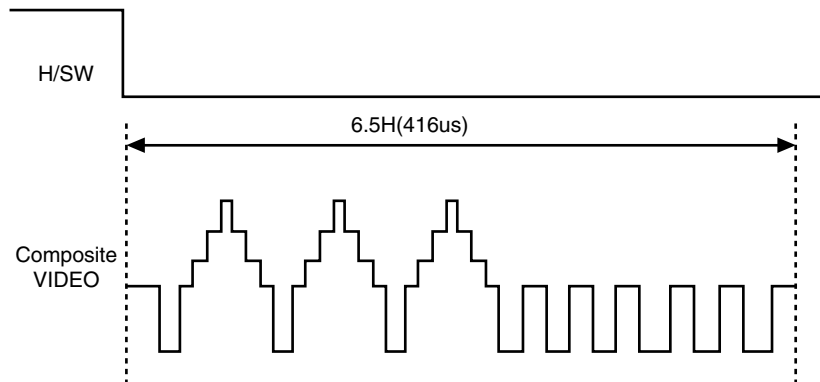
- a) Connect the CH1 of the oscilloscope to the H/SW and CH2 to the Video out for the VCR.
- b) Trigger the mixed Video Signal of CH2 to the CH1 H/SW(W501, W502), and then check the distance (time difference), which is from the selected A(B) Head point of the H/SW(W501, W502) signal to the starting point of the vertical synchronized signal, to  $6.5H \pm 0.5H$  ( $416\mu s$ ,  $1H=64.0\mu s$ ).

### • CONNECTION



# ELECTRICAL ADJUSTMENT PROCEDURES

- **WAVEFORM**



- **Attension and Reference**

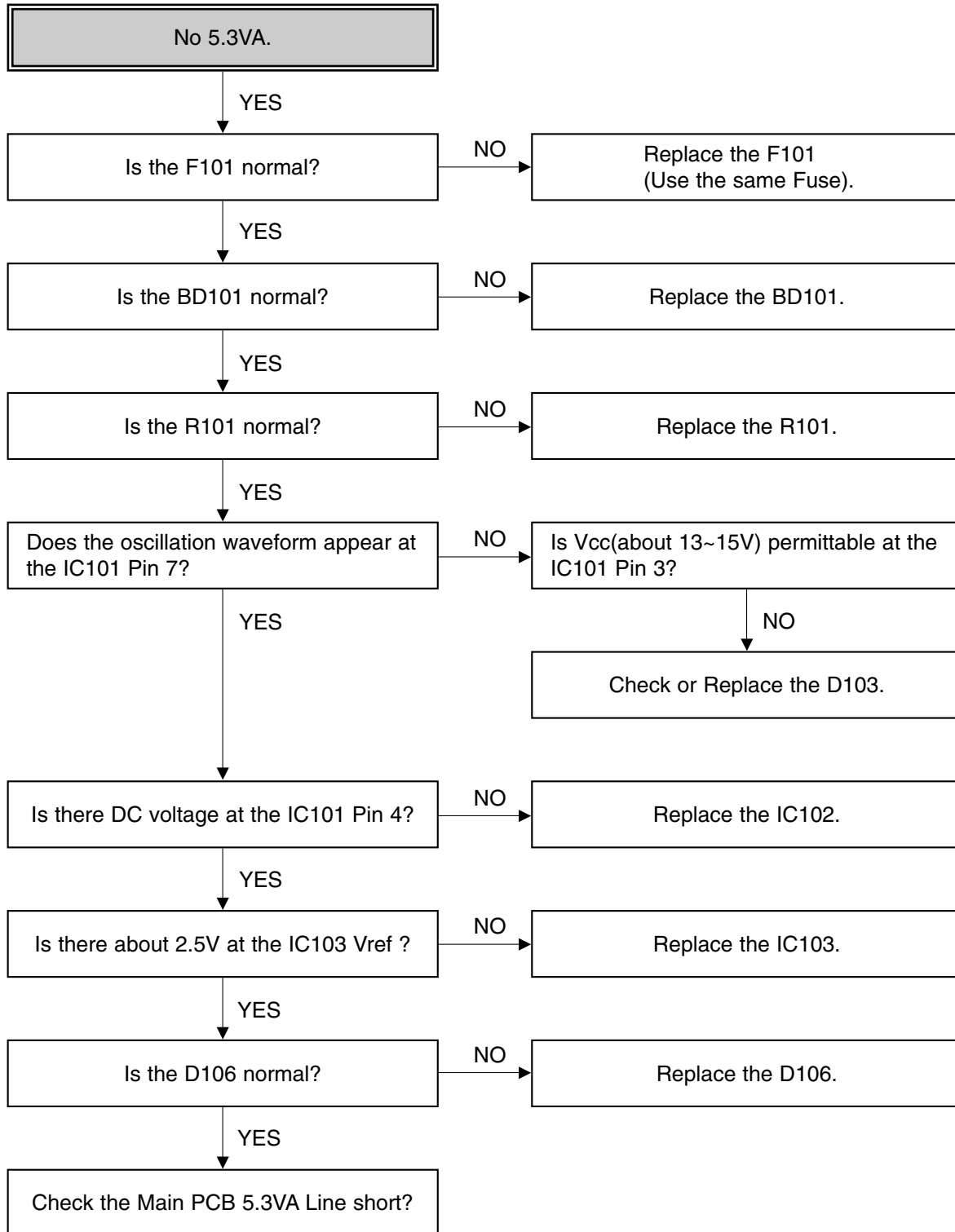
- a) The PG checking must do when RF Level is Maximum and SERVO system is Locking (MTR MODE)
- b) V.H/SW Level is 2Vpp.



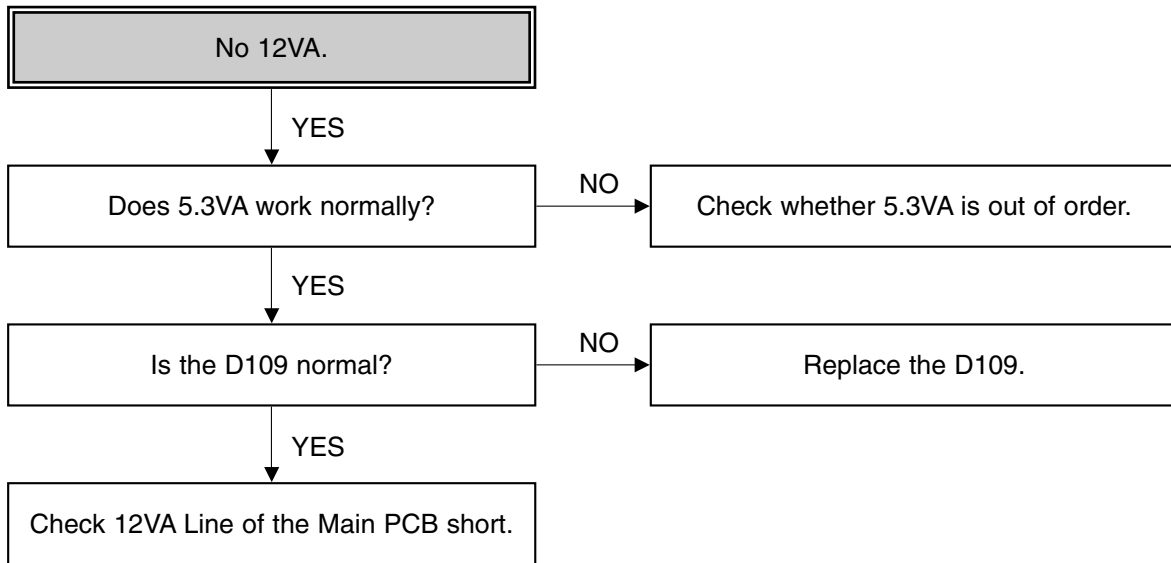
# ELECTRICAL TROUBLESHOOTING GUIDE

## 1. Power Circuit(SMPS)

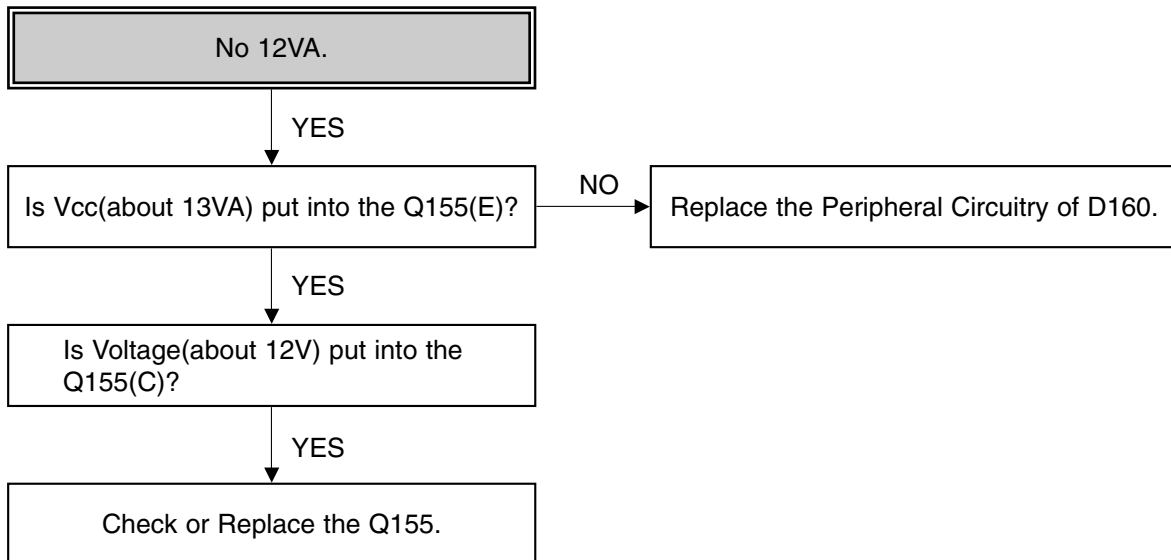
(1) No 5.3VA.



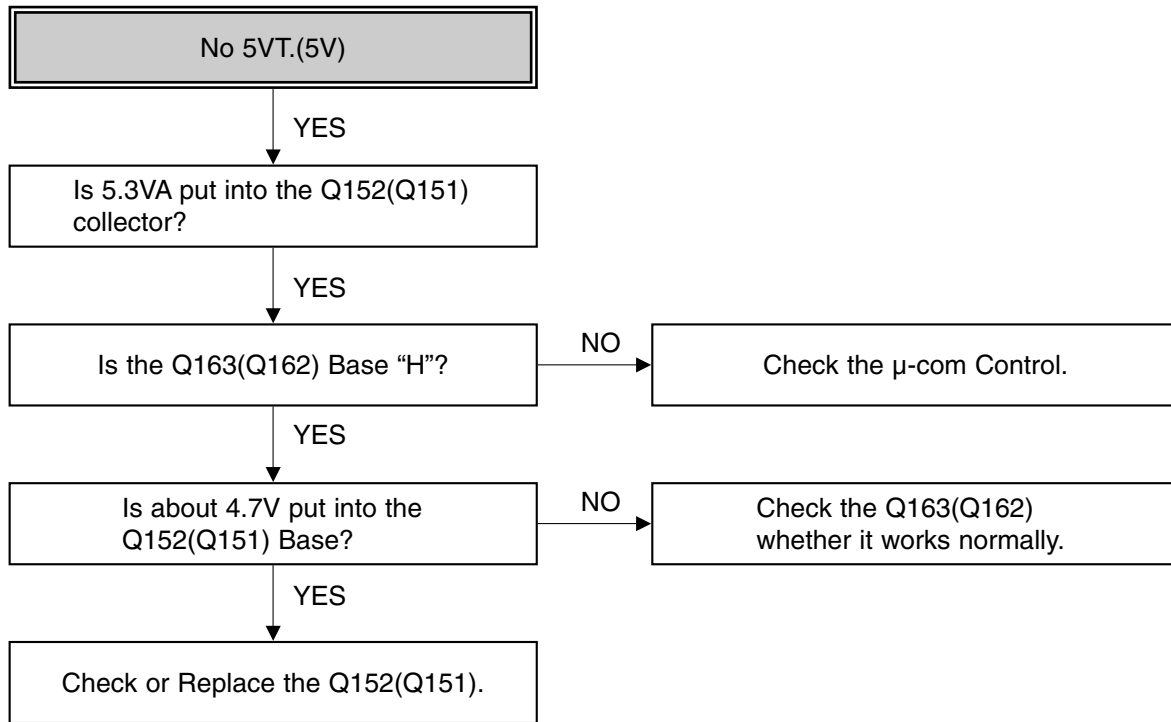
(2) No 12VA.(Capstan)



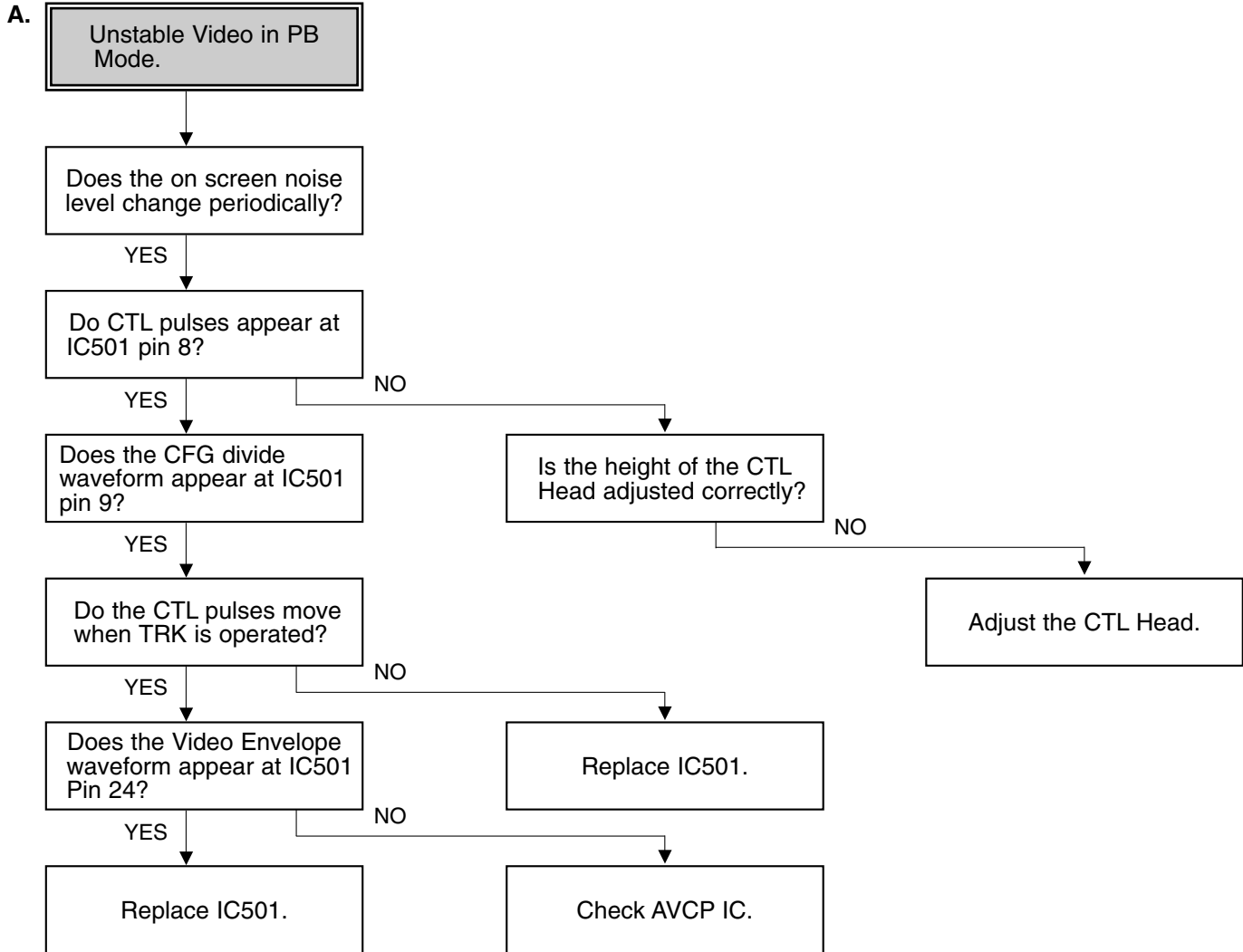
(3) No 12VA (CANAL, Buffer)

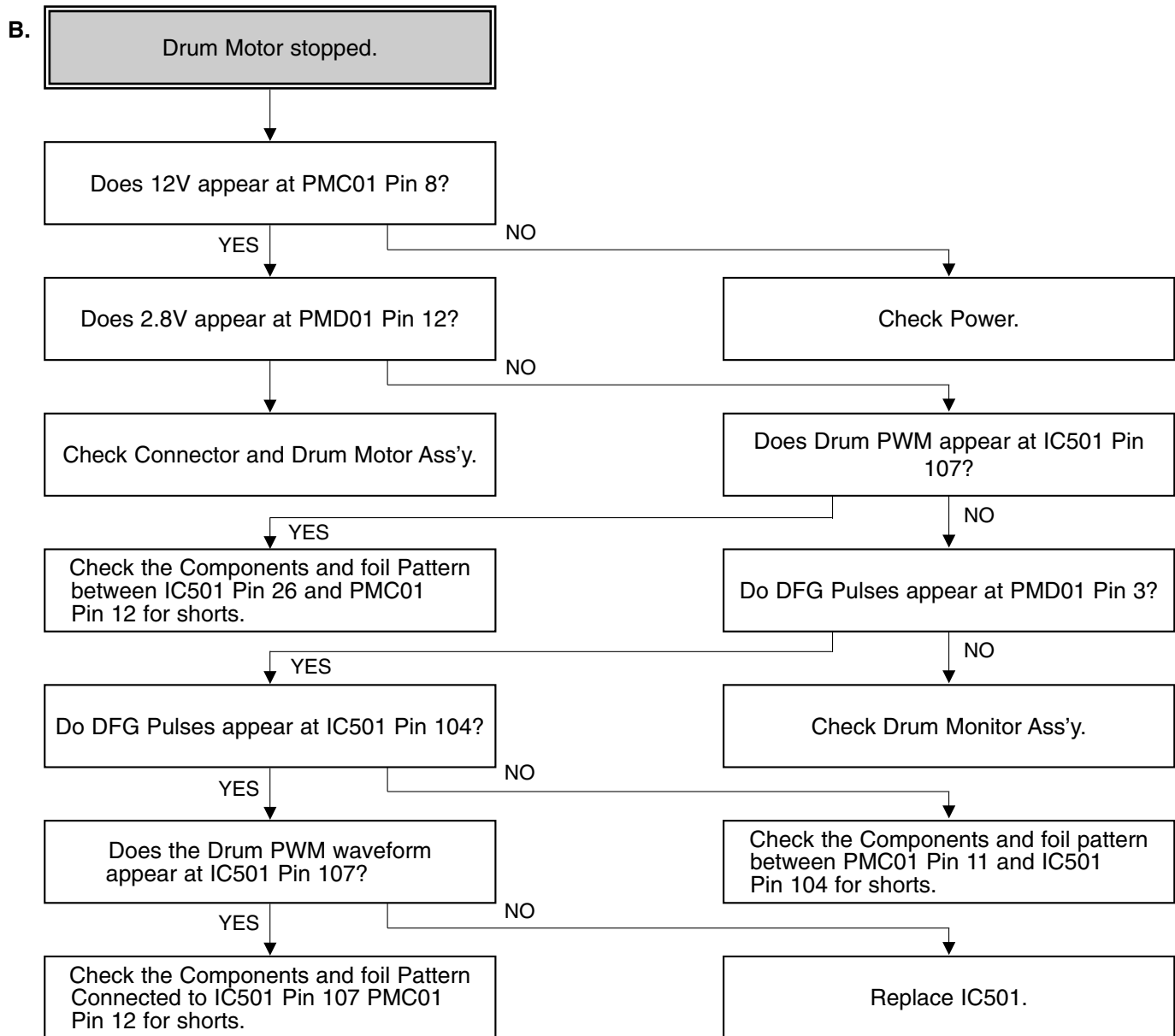


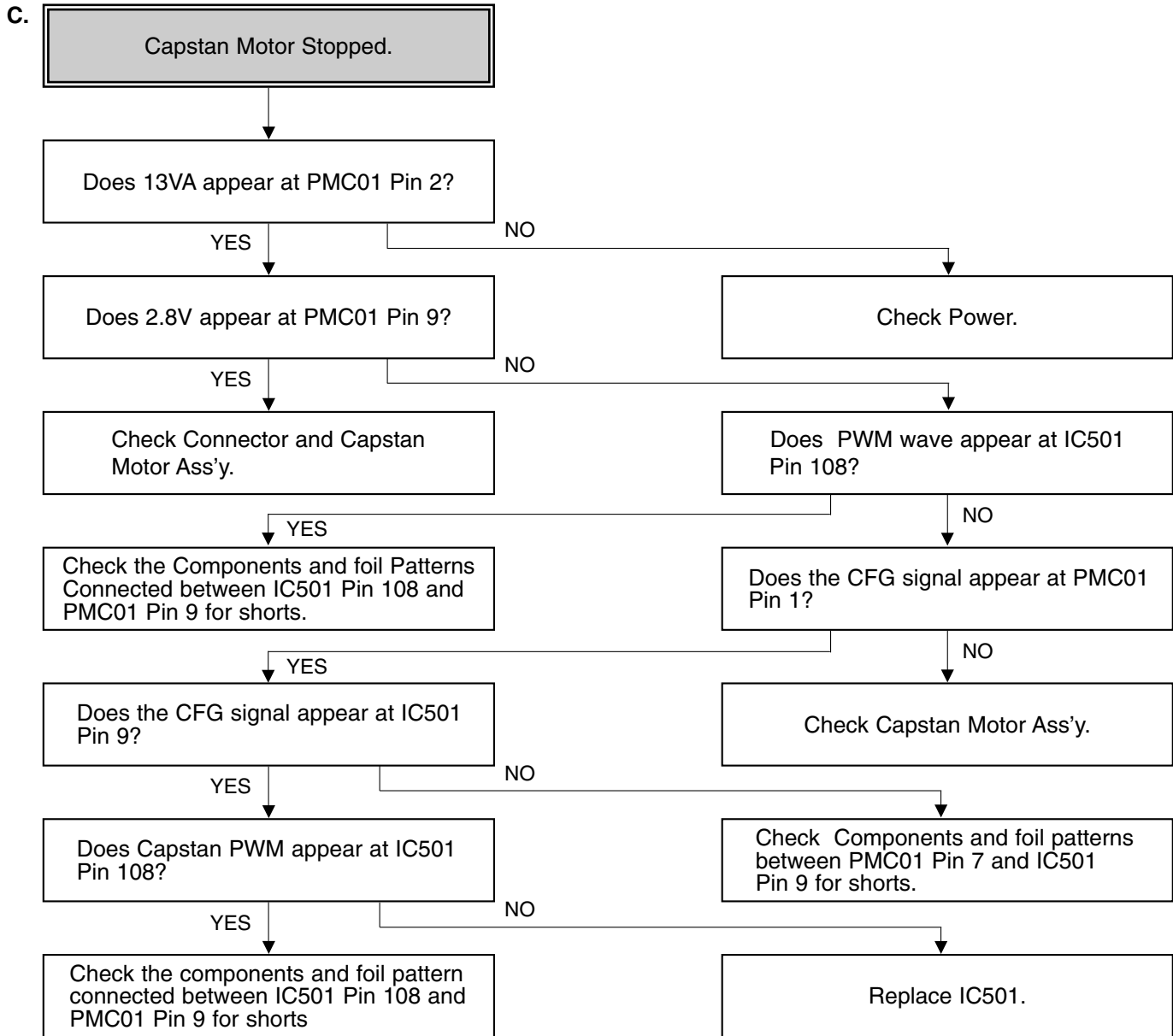
(4) No 5VT(5V)



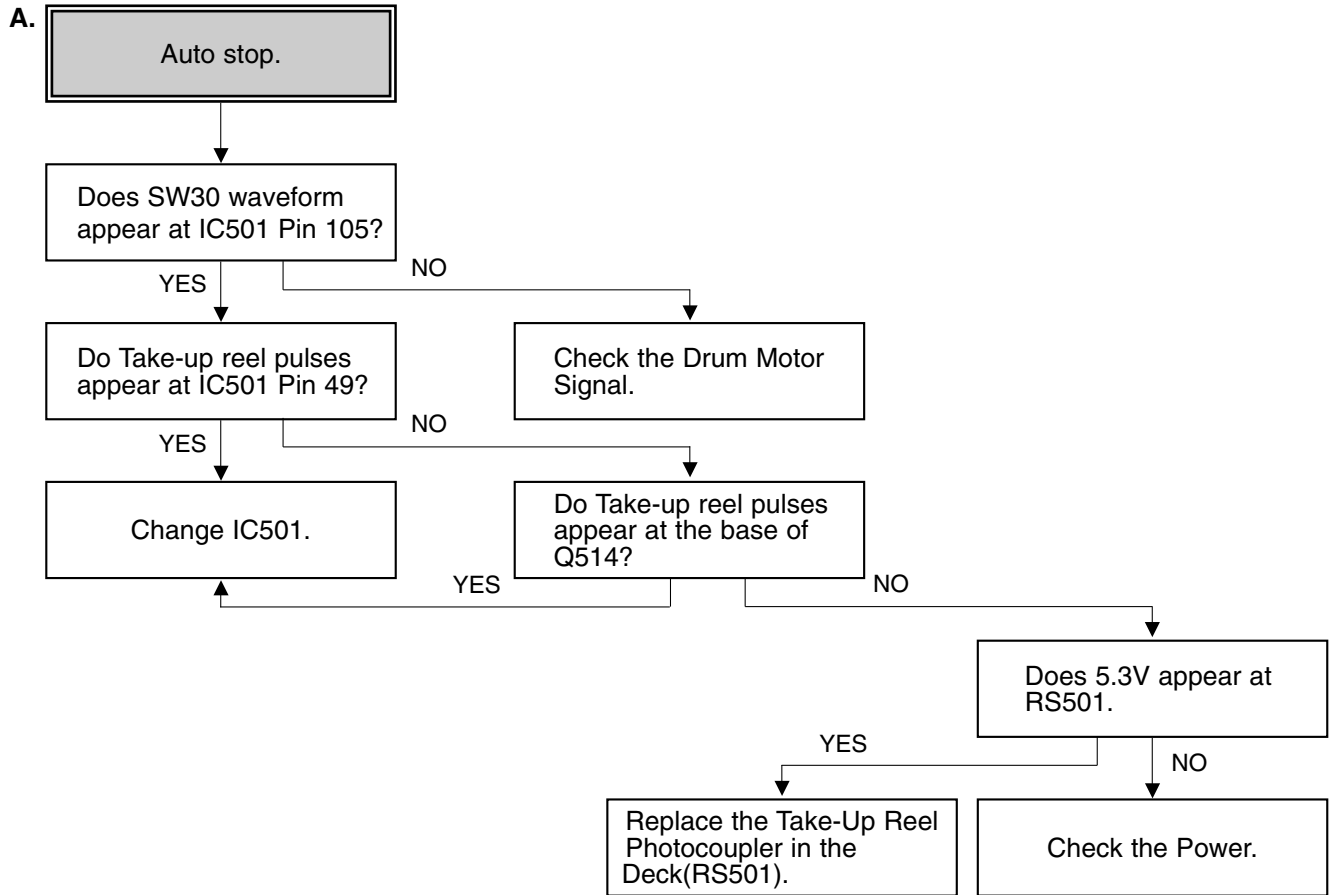
## 2. Servo Circuit

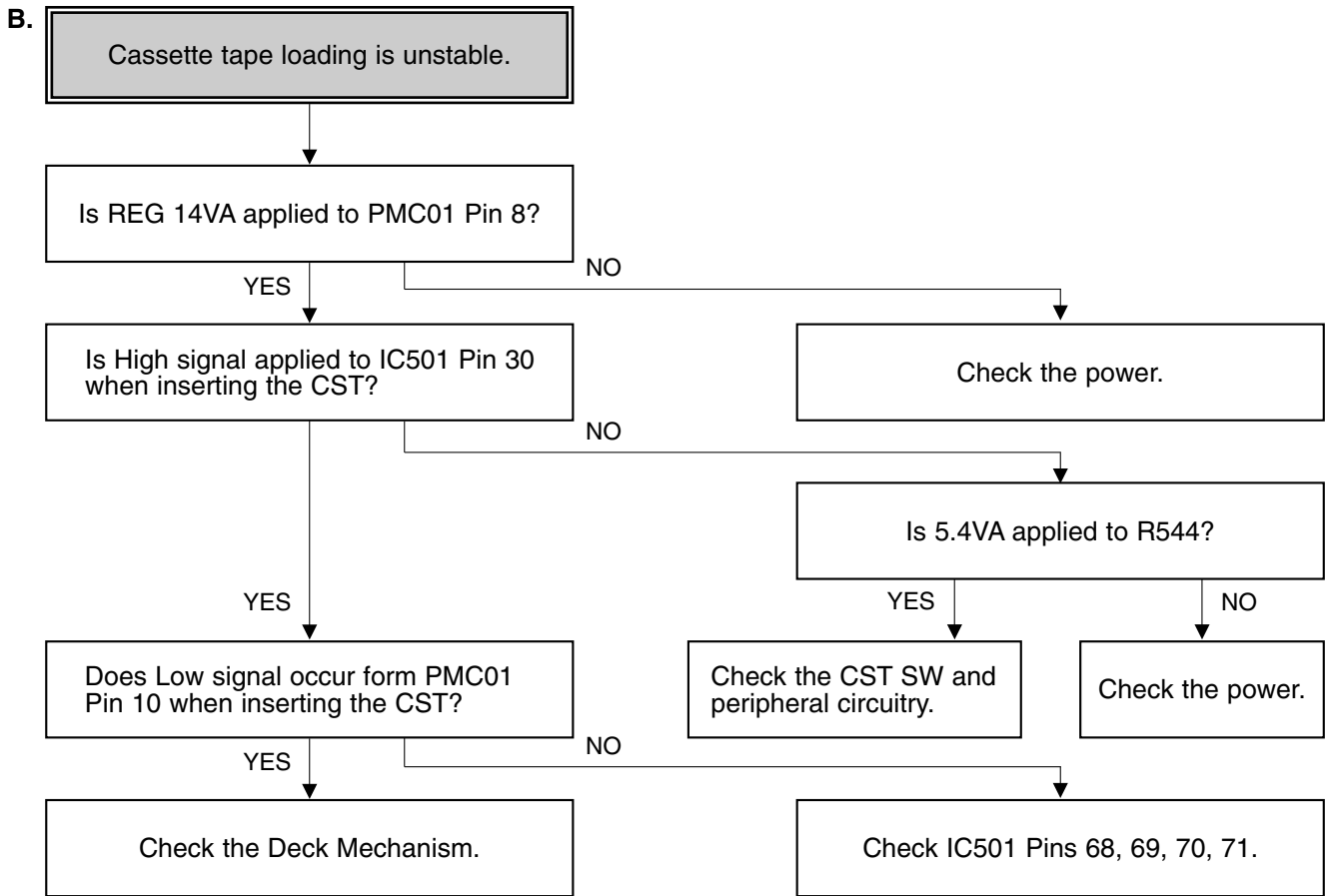




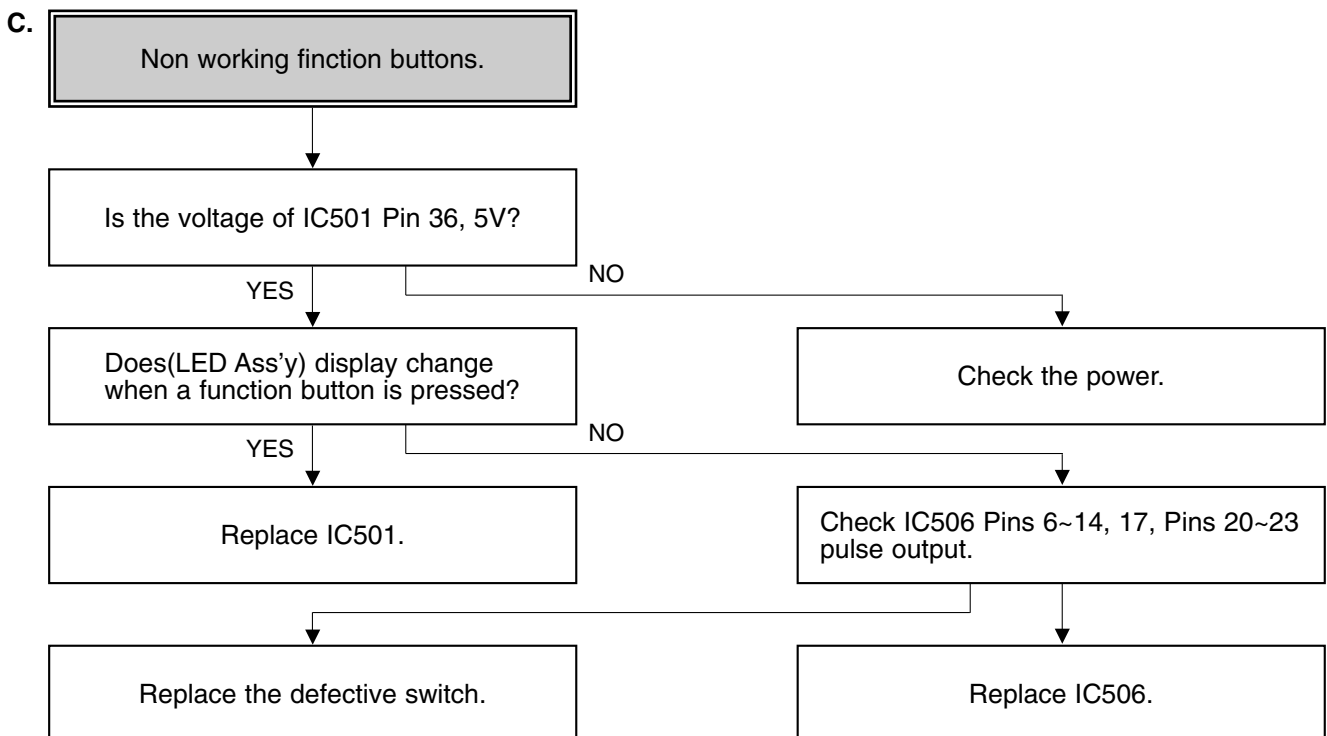


### 3. System & Front Panel Circuit





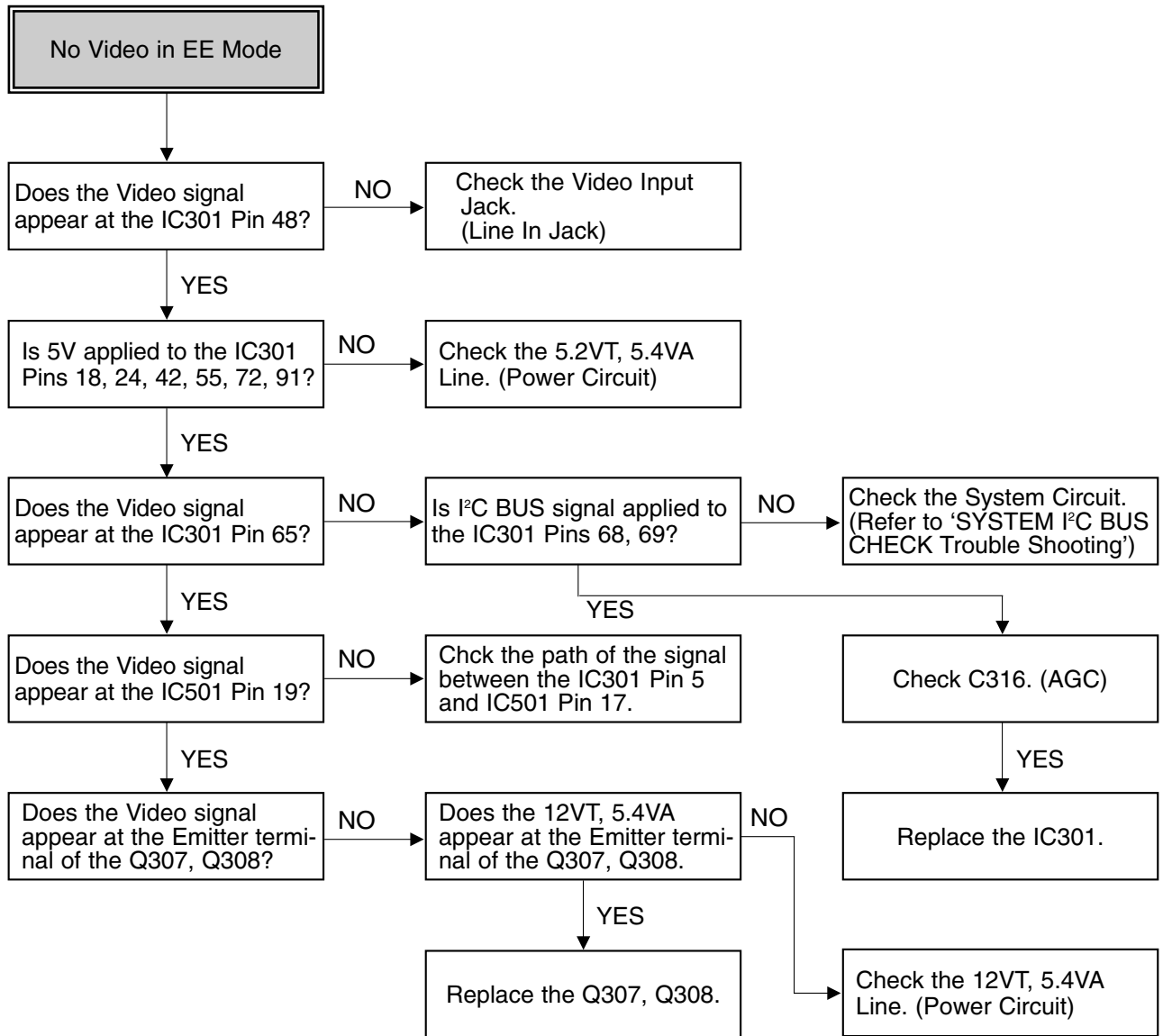
**NOTE :** Auto stop may also be caused by lack of lubrication, due to dried grease or oil.



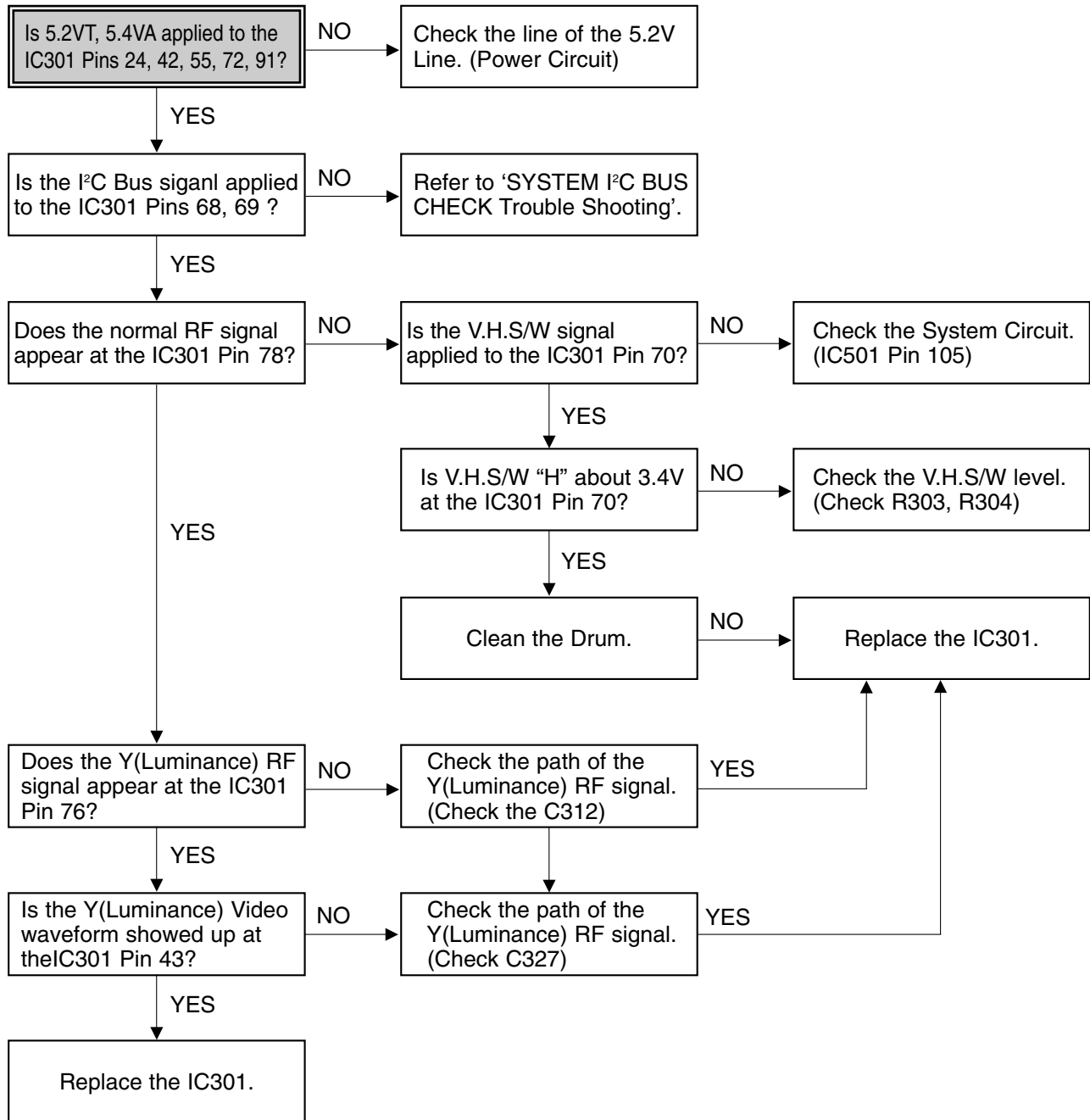


## 4. Y/C CIRCUIT

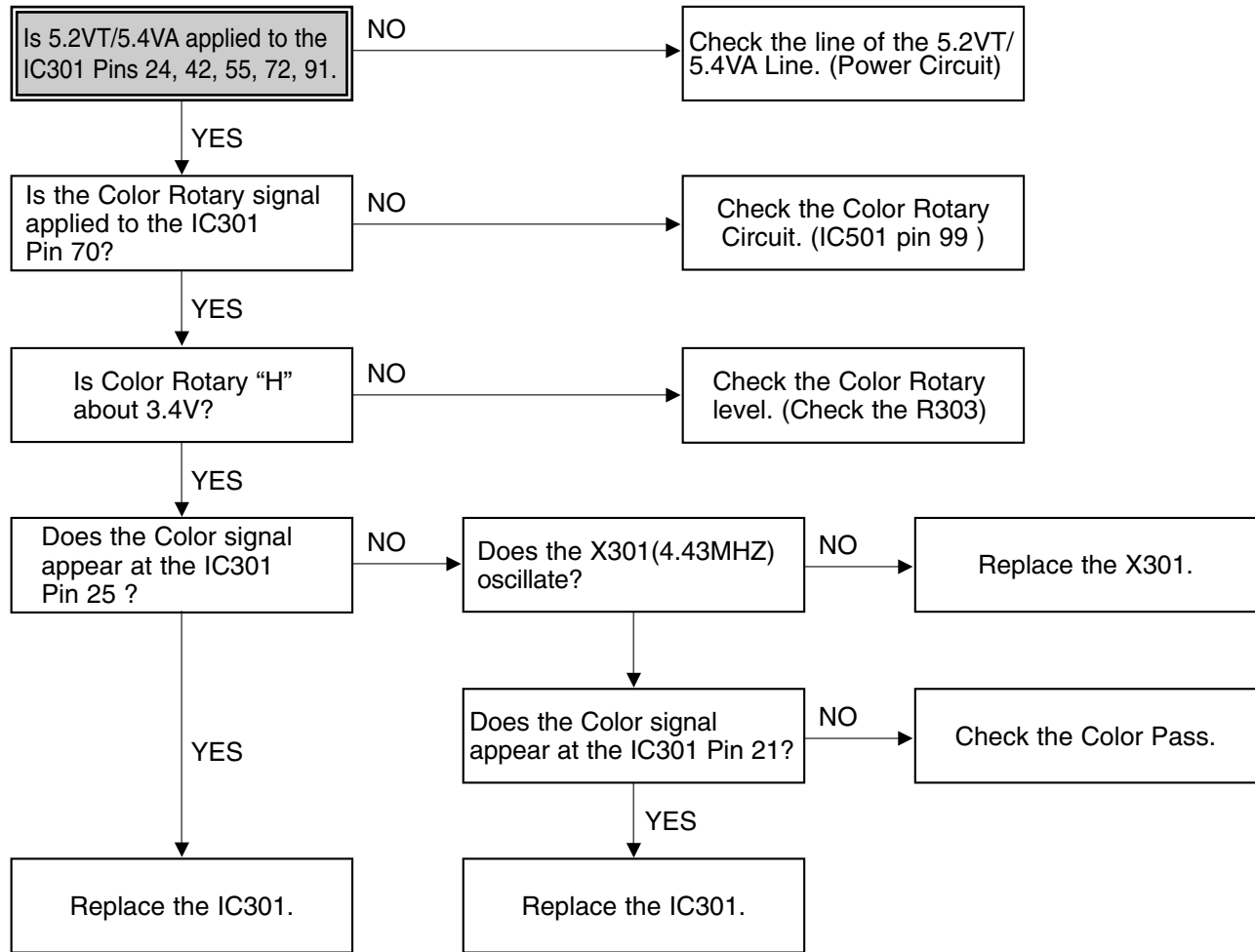
(1) No Video in EE Mode,



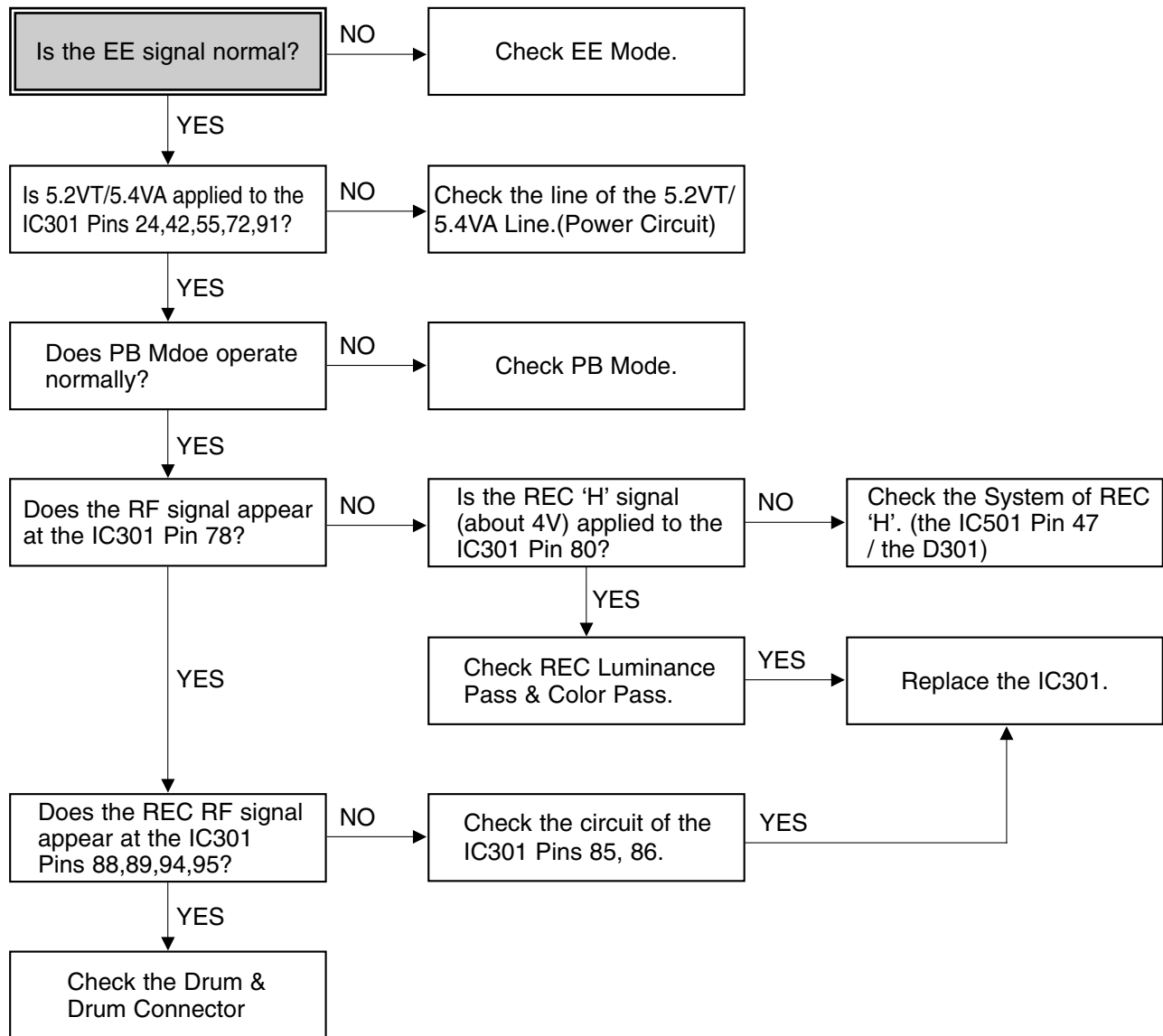
(2) When the Y(Luminance) signal doesn't appear on the screen in PB Mode,



(3) When the C(Color) signal doesn't appear on the screen in PB Mode,

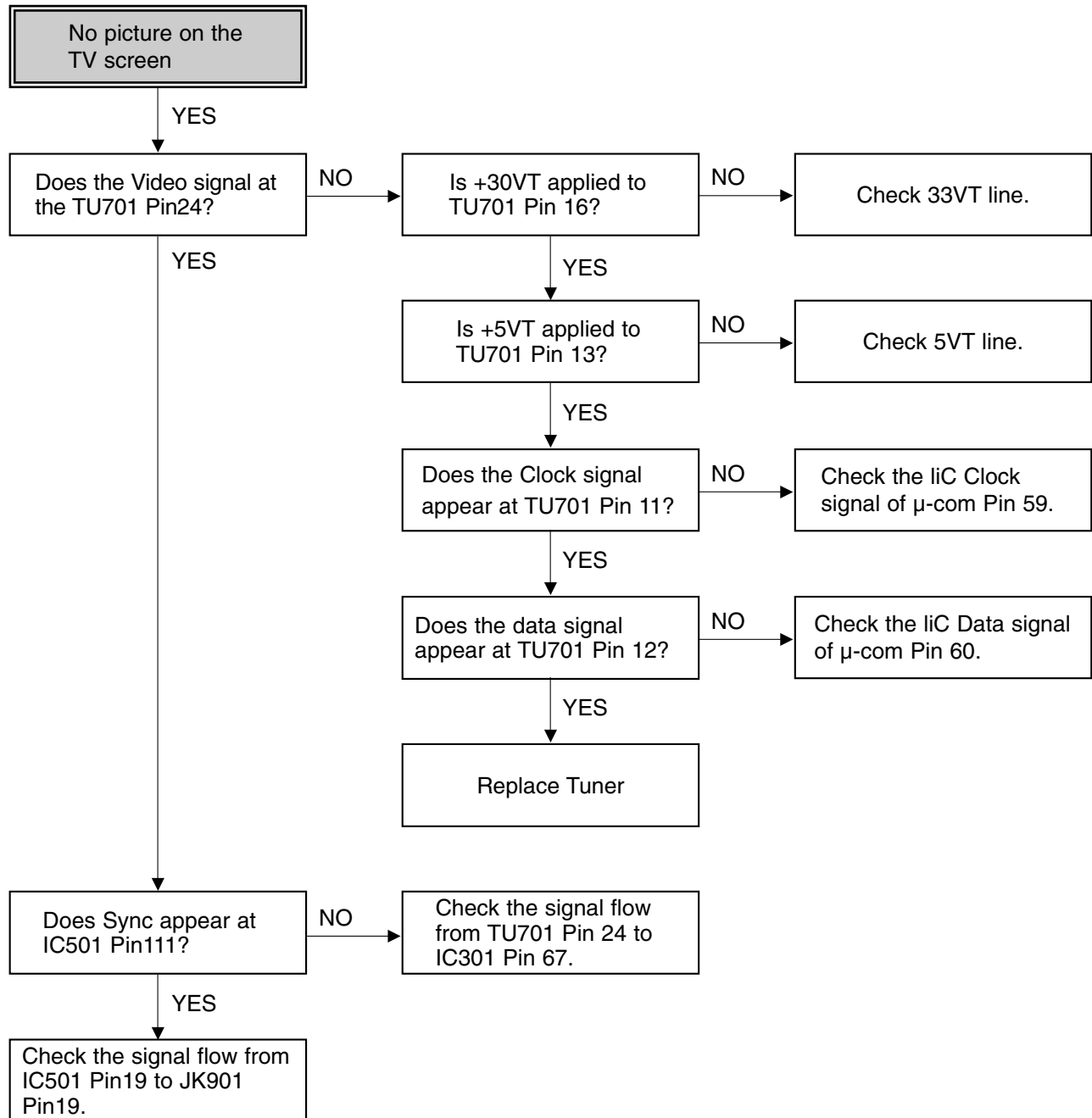


(4) When the Video signal doesn't appear on the screen in REC Mode,

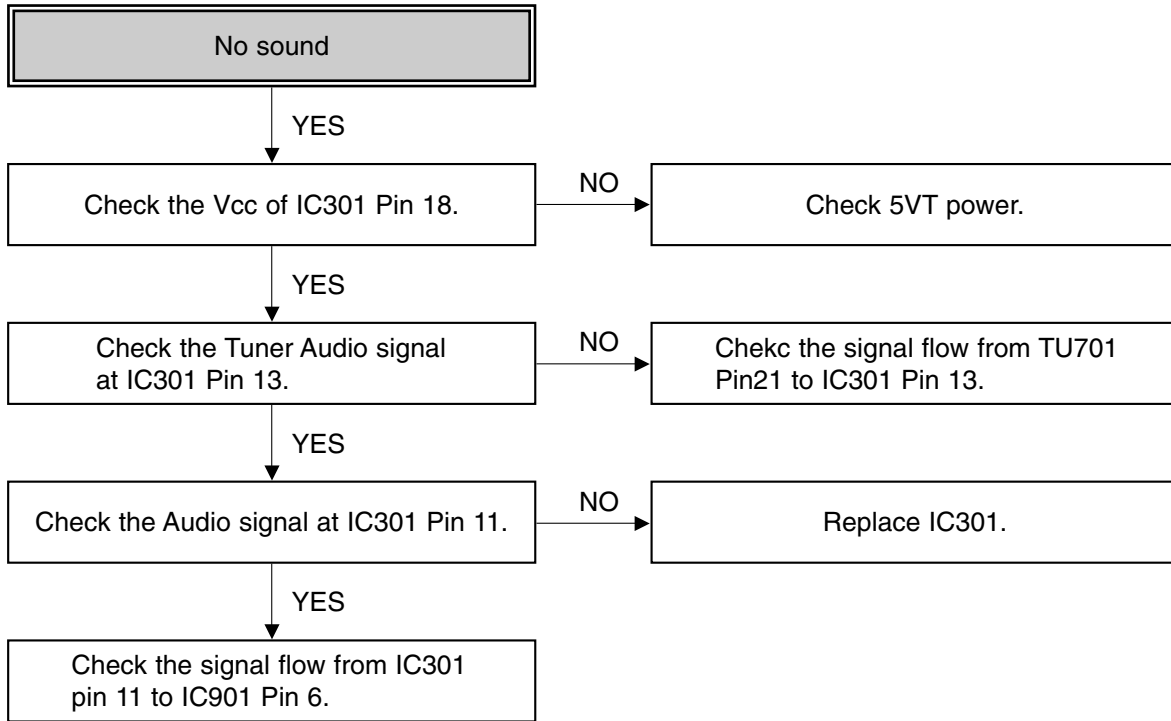


## 5. Tuner/IF circuit

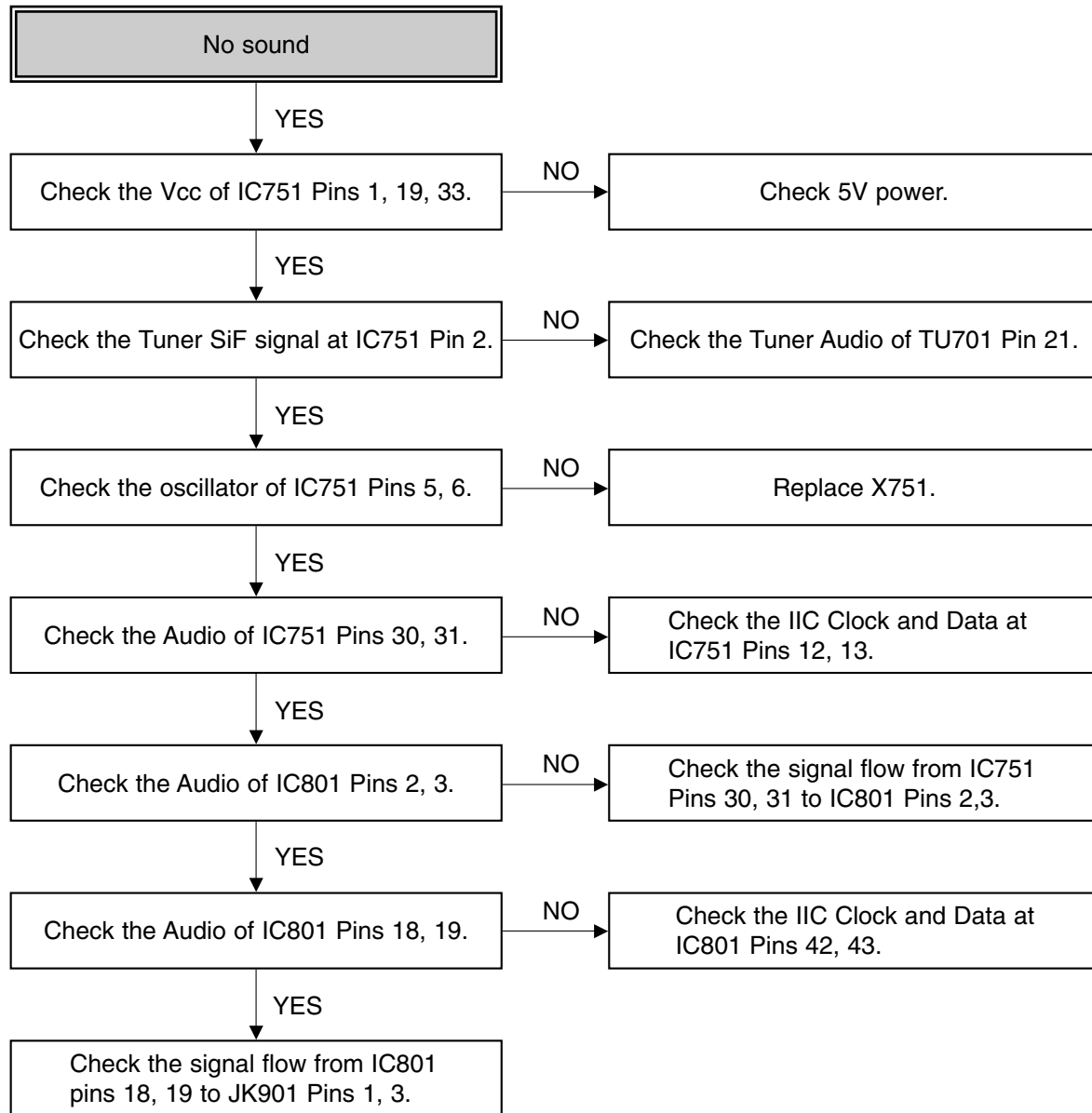
(1) No picture on the TV screen



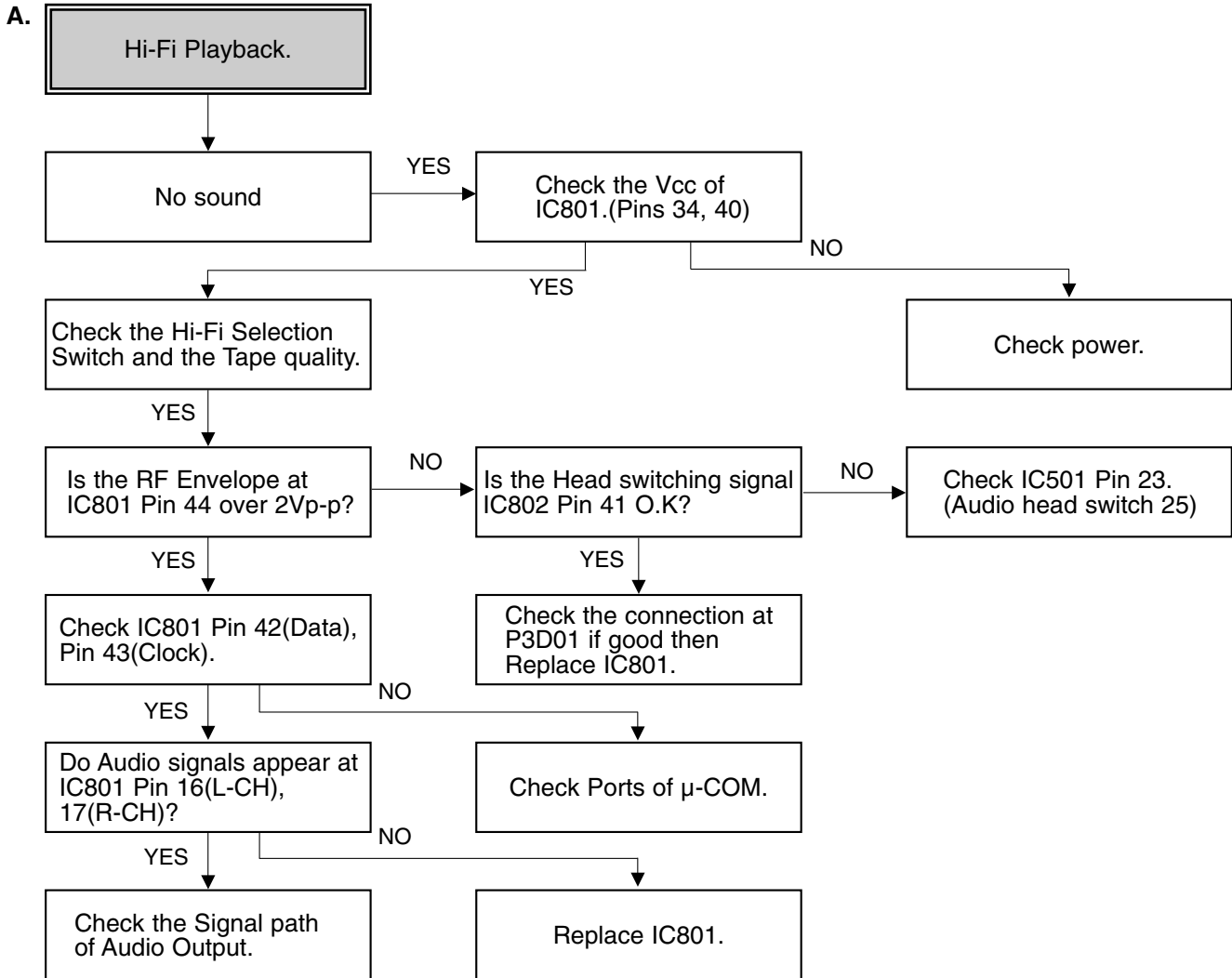
(2) No sound (Mono Model)



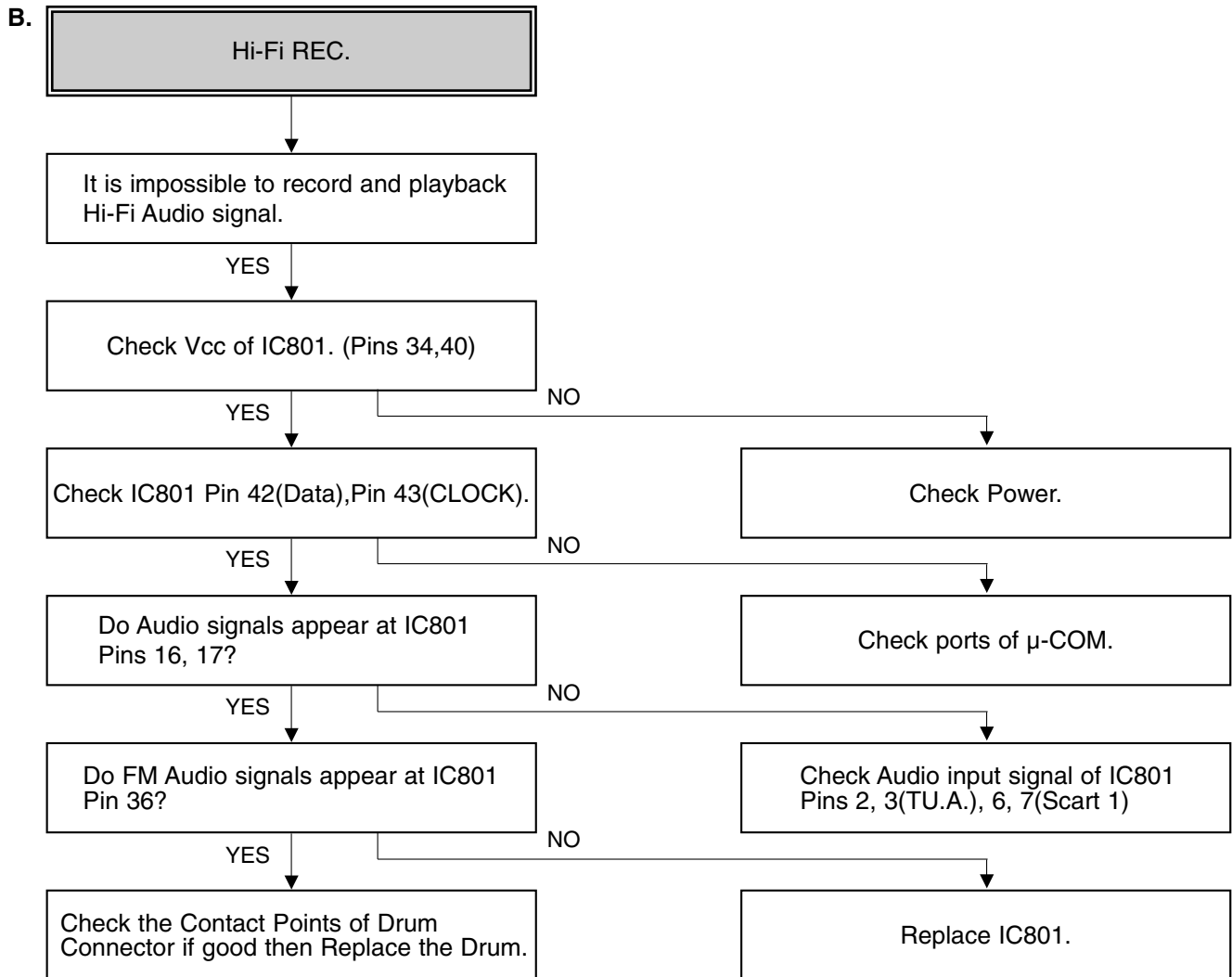
(3) No sound (Hi-Fi Model)



## 6. Hi-Fi Circuit (Hi-Fi Model)

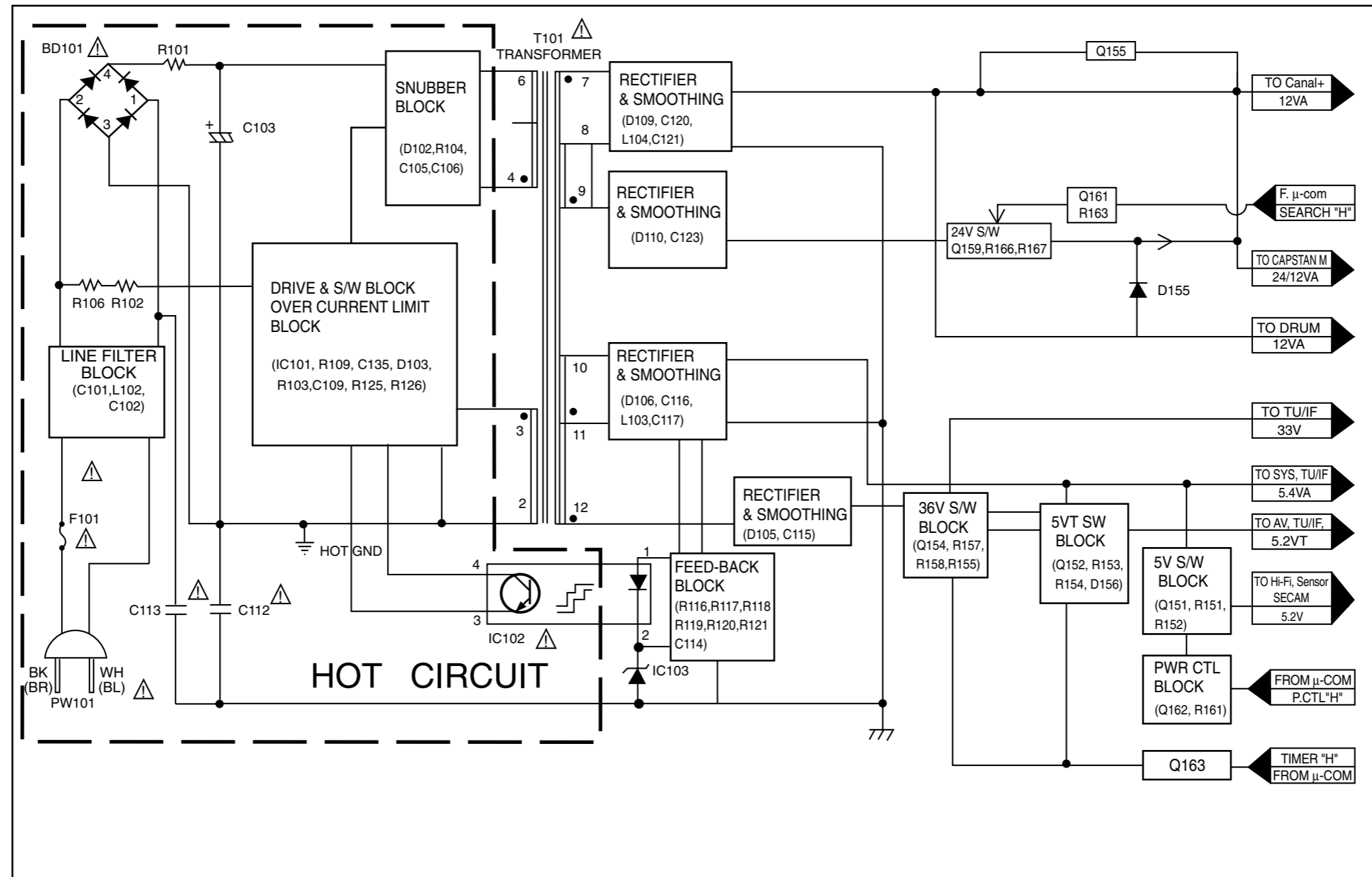




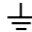
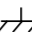


# BLOCK DIAGRAMS

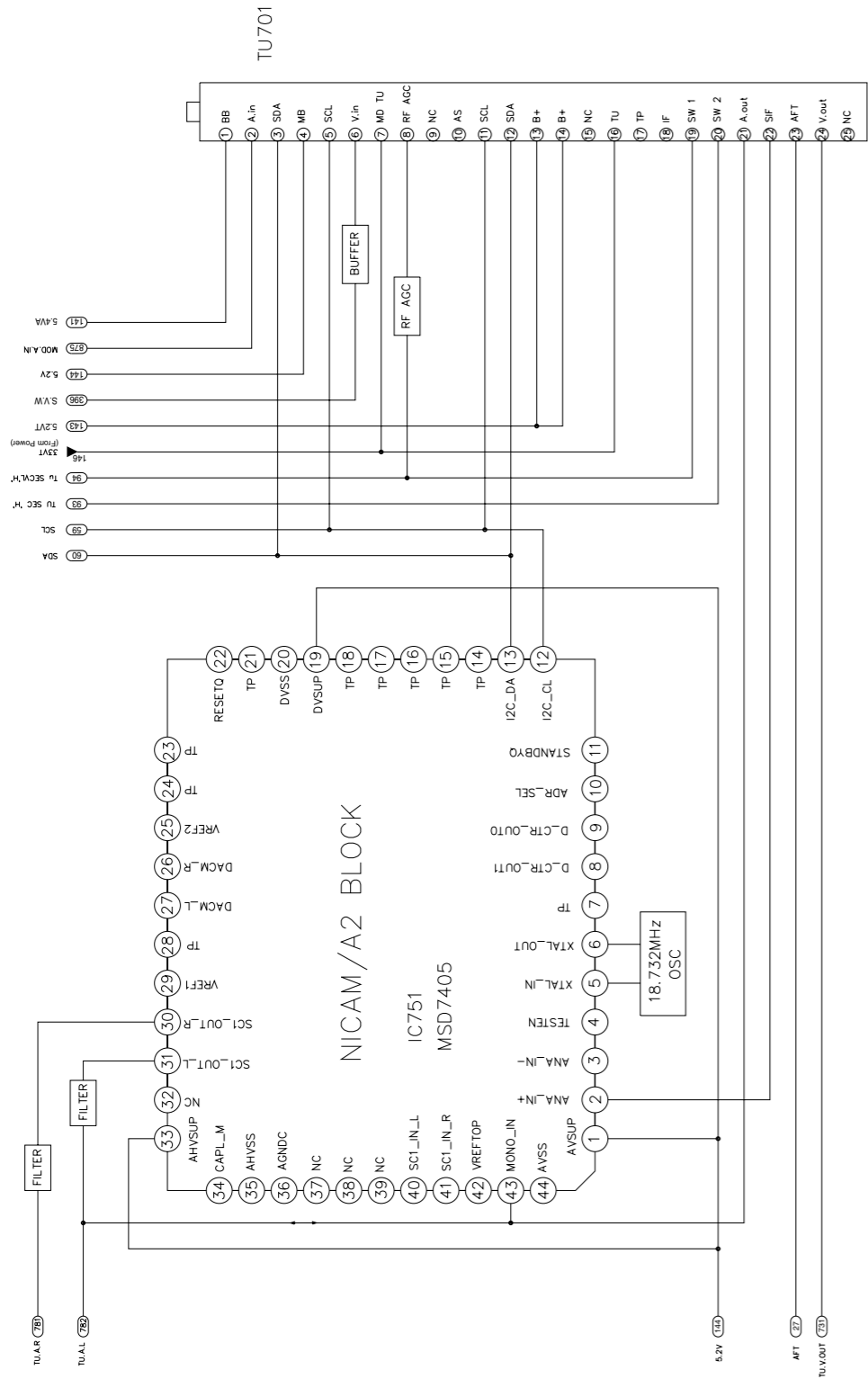
## 1. Power Block Diagram



'00 11. 30

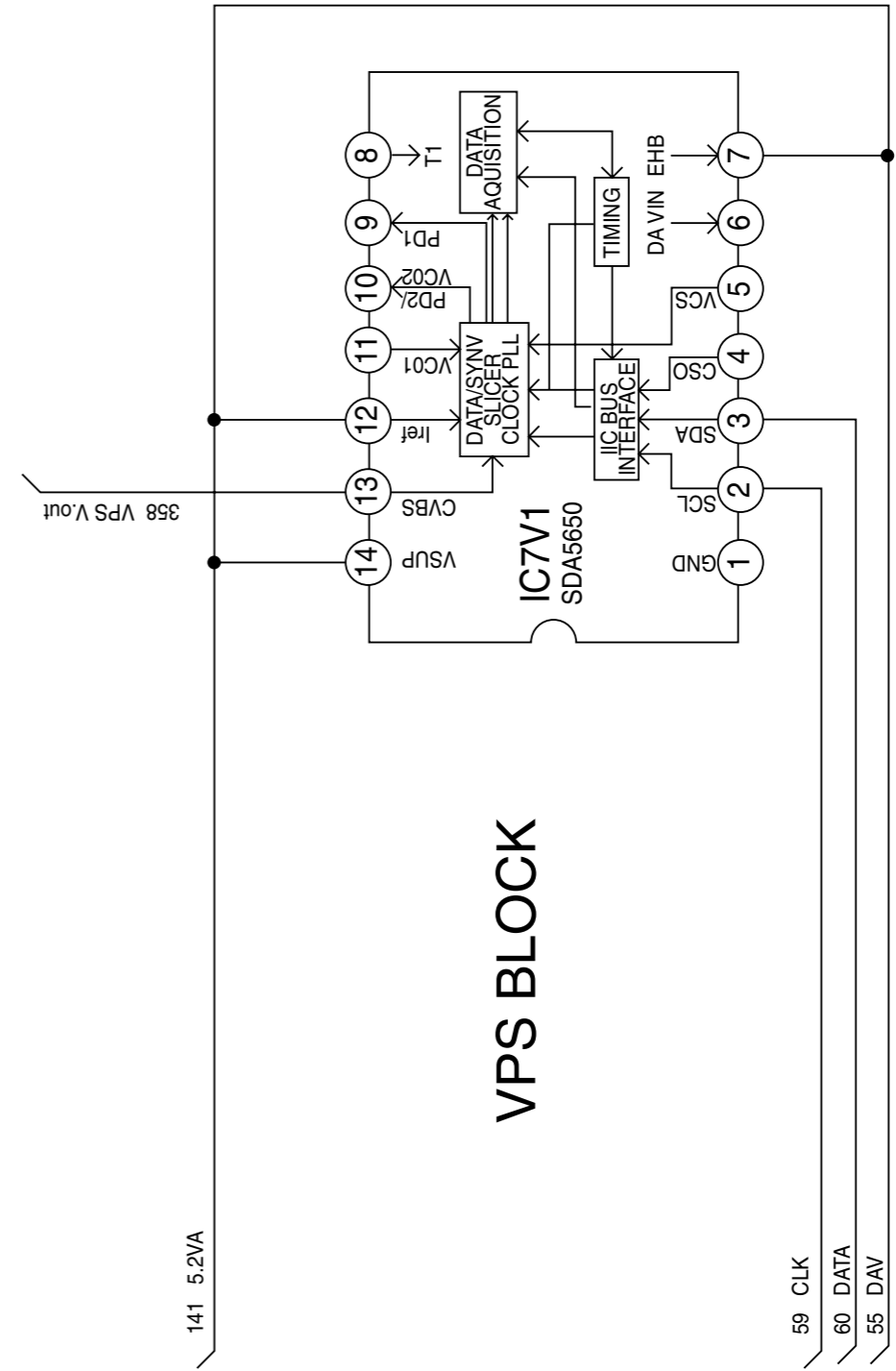
**NOTES :**  Symbol denotes AC ground.  
 Symbol denotes DC chassis ground.

## 2. Tu/IF, NICAM & A2 Block Diagram



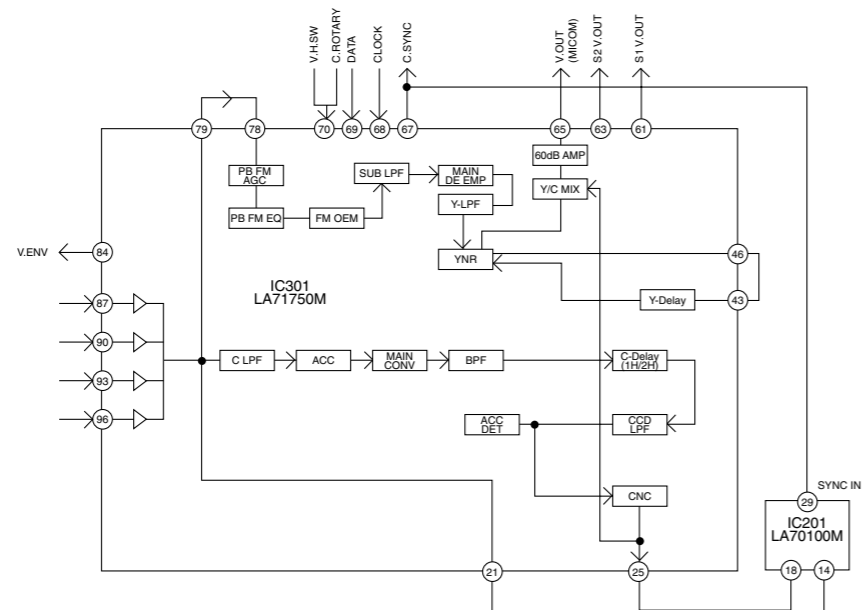
'99 12.8 R10488BA  
BC999NS/BD289Y

## 3. VPS Block Diagram

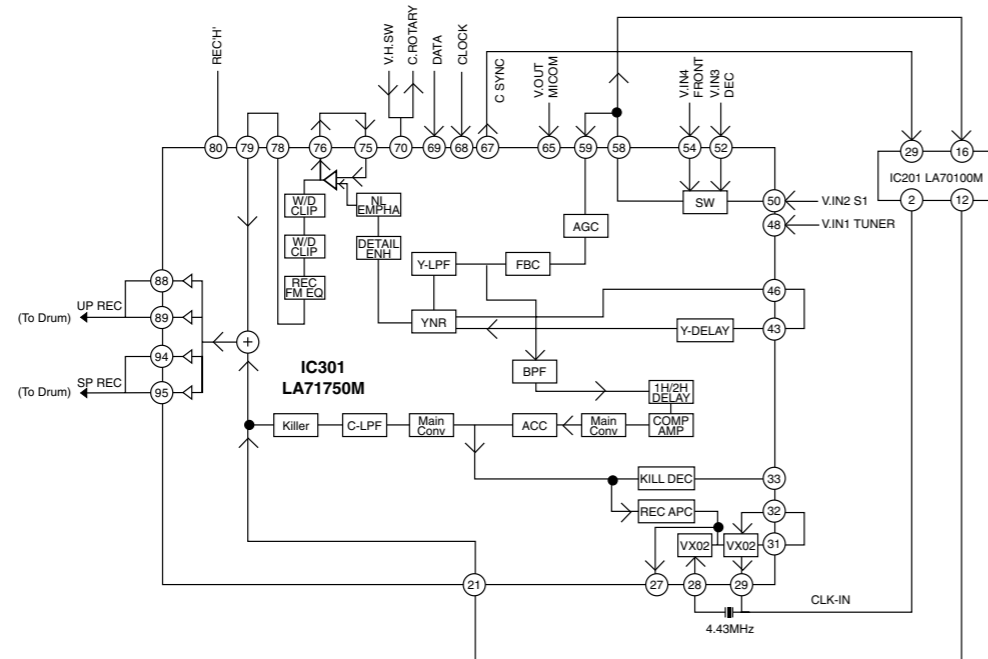


#### 4. Y/C Block Diagram

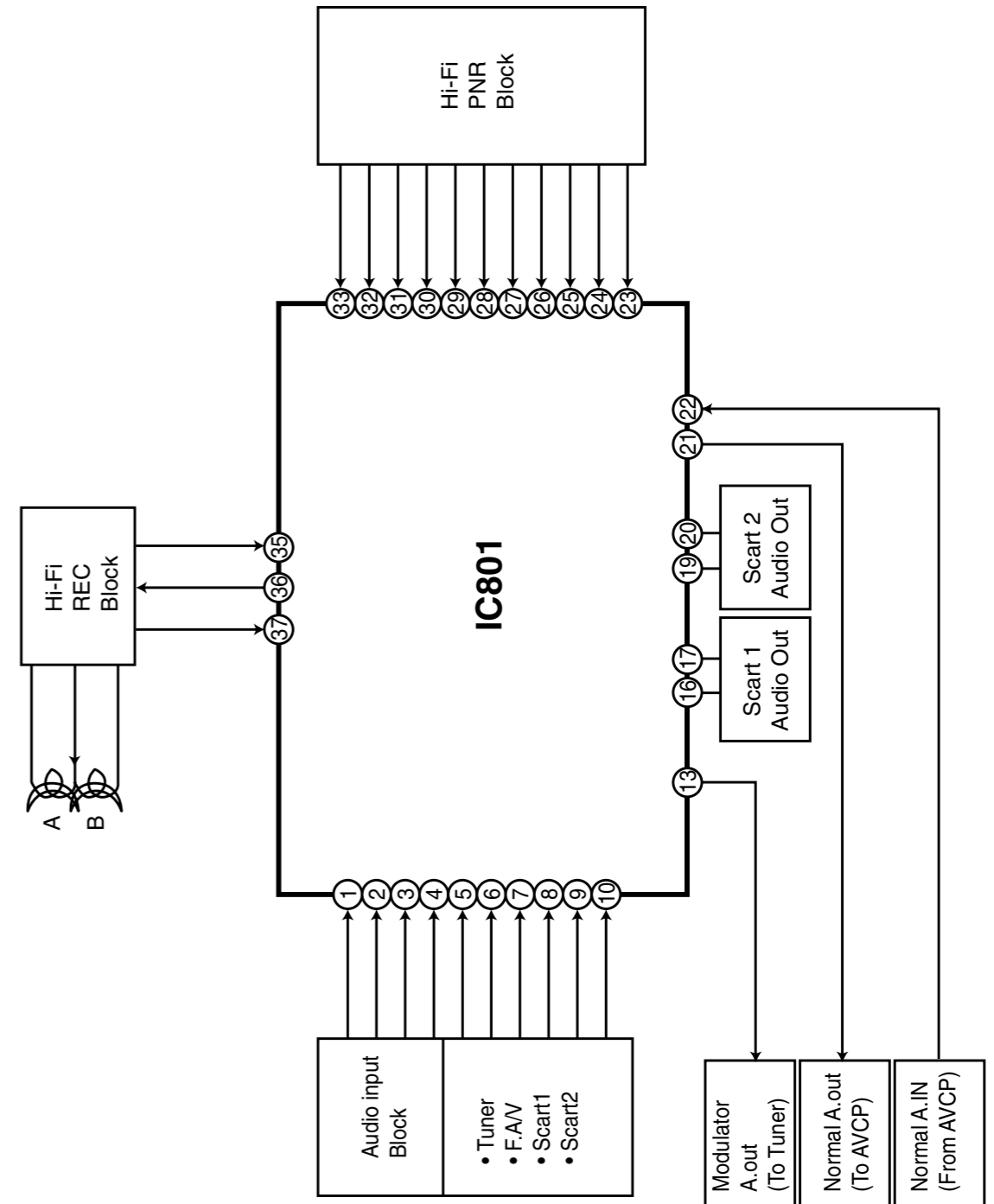
(PB MODE)



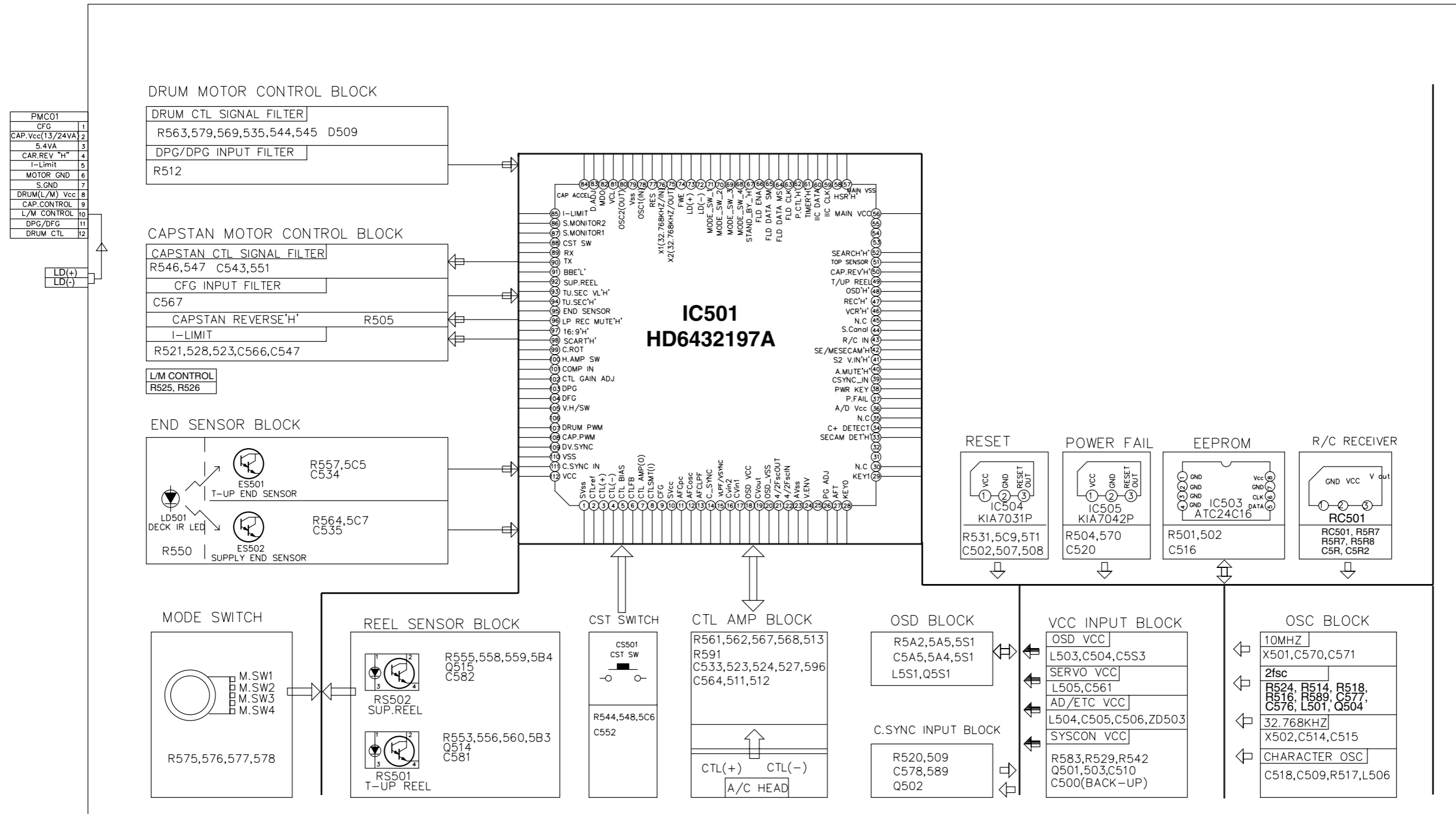
(REC MODE)



#### 5. Hi-Fi Block Diagram(Hi-Fi Model Only)

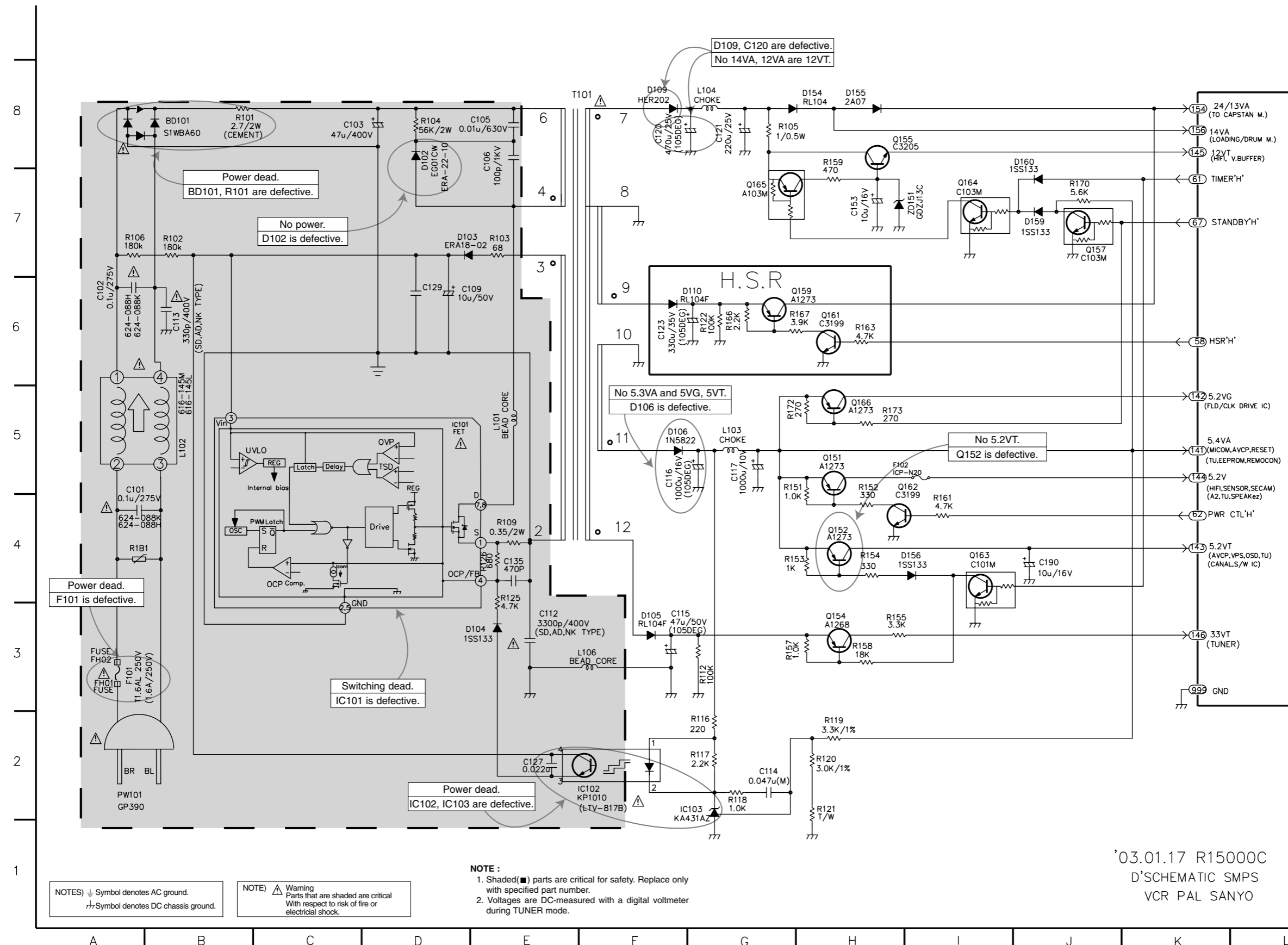


## 6. System Block Diagram



# CIRCUIT DIAGRAMS

## 1. Power Circuit Diagram



### LOCATION GUIDE

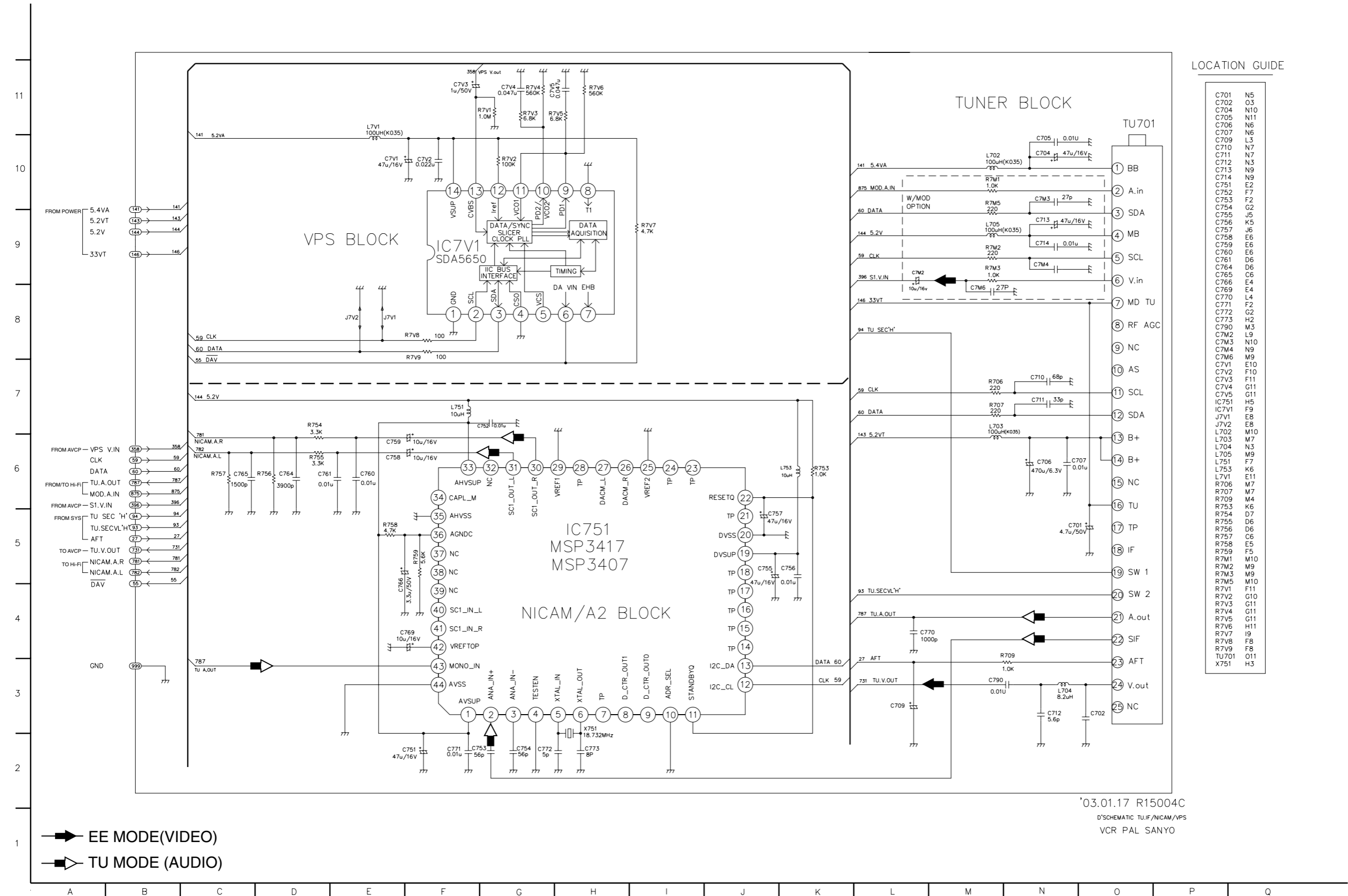
BD101	B8	R119	H2
C101	A5	R120	H2
C102	A6	R121	H2
C103	C8	R122	G6
C105	E8	R125	E4
C106	E7	R126	E4
C109	D6	R151	G5
C112	E3	R152	H5
C113	B6	R153	G4
C114	G2	R154	H4
C115	F3	R155	H3
C116	F5	R157	G3
C117	G5	R158	H3
C120	F8	R159	H8
C121	G8	R161	I4
C123	F6	R163	H6
C127	E2	R166	G6
C129	D6	R167	G6
C135	E4	R170	J7
C153	H7	R172	G5
C190	J4	R173	H5
D102	D7	R1B1	A4
D103	D7	T101	E8
D104	D3	ZD151	I7
D105	F3		
D106	F5		
D109	F8		
D110	F6		
D154	H8		
D155	H8		
D156	H4		
D159	J7		
D160	J8		
F102	H5		
FH01	A3		
FH02	A3		
IC101	D5		
IC102	F2		
IC103	F2		
L101	E5		
L102	B5		
L103	G5		
L104	G8		
L106	E3		
PW101	A2		
Q151	H5		
Q152	H4		
Q154	H3		
Q155	H8		
Q157	J7		
Q159	G6		
Q161	H6		
Q162	H5		
Q163	I4		
Q164	I7		
Q165	G7		
Q166	H5		
R101	B8		
R102	B7		
R103	E7		
R104	D8		
R105	G8		
R106	A7		
R109	E4		
R112	G3		
R116	G2		
R117	G2		
R118	G2		

**NOTE :**  
 1. Shaded(■) parts are critical for safety. Replace only with specified part number.  
 2. Voltages are DC-measured with a digital voltmeter during TUNER mode.

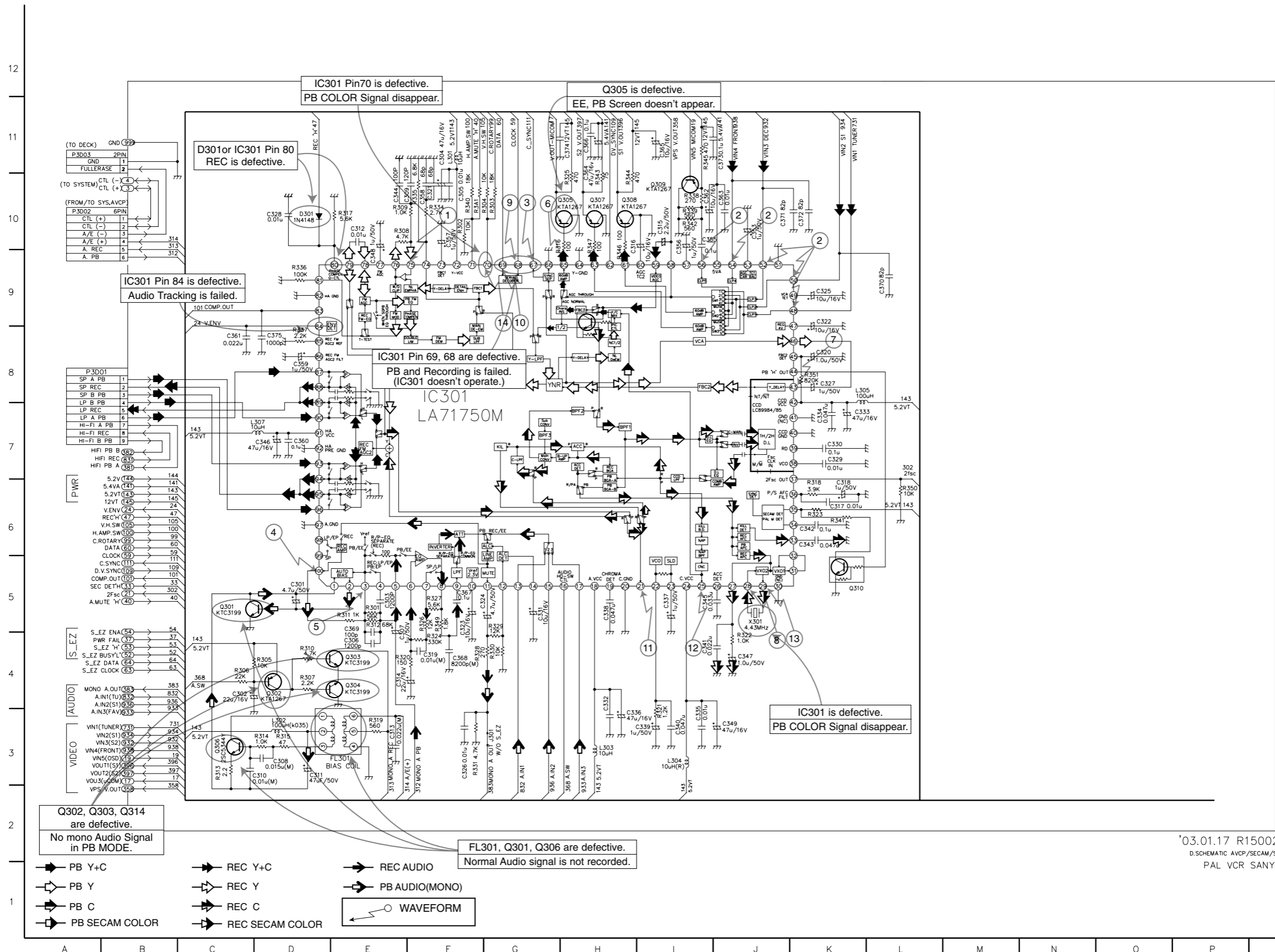
'03.01.17 R15000C  
 D'SCHEMATIC SMPS  
 VCR PAL SANYO

NOTES) ⚡ Symbol denotes AC ground.  
 ⚡ Symbol denotes DC chassis ground.  
 NOTE) ⚠ Warning  
 Parts that are shaded are critical  
 With respect to risk of fire or  
 electrical shock.

## 2. Tuner, NICAM Circuit Diagram



### 3. AVCP, SECAM, VPS Circuit Diagram



#### LOCATION GUIDE

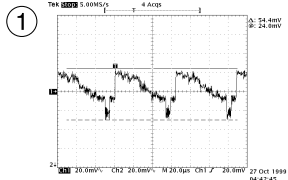
C301	D5	L302	D3
C302	C4	L303	H3
C303	E5	L304	I3
C304	F11	L305	K8
C305	F10	L306	C7
C306	E4	P3D01	A8
C307	E4	P3D02	A10
C308	D3	P3D03	A11
C309	F10	Q301	C5
C310	C3	Q302	D4
C311	D3	Q303	E4
C312	E10	Q304	E4
C313	E3	Q305	G10
C314	E4	Q306	C3
C315	I10	Q307	H10
C316	H9	Q308	H10
C317	K6	Q309	I10
C318	K6	Q310	K5
C319	F4	R301	F4
C320	K8	R302	F10
C321	F10	R303	G10
C322	K9	R304	G10
C323	F4	R305	D4
C324	G5	R306	C4
C325	K9	R307	D4
C326	F3	R308	E10
C327	K8	R309	F10
C328	D10	R310	D4
C329	K7	R311	E5
C330	K7	R312	E5
C331	G5	R313	C3
C332	H3	R314	D3
C333	K7	R315	D3
C334	K7	R316	H9
C335	I3	R317	E10
C336	H3	R318	K6
C337	I5	R319	E3
C338	H5	R320	E4
C339	H3	R321	I3
C340	I3	R322	J4
C341	H4	R323	K6
C342	K6	R324	F4
C343	K6	R325	H10
C344	E10	R326	F5
C345	I5	R327	F5
C346	D7	R328	F4
C347	J4	R329	G5
C348	E9	R330	G4
C349	J5	R331	F3
C350	J10	R332	F10
C351	I10	R333	F10
C352	I10	R334	D8
C353	F10	R335	I10
C354	F10	R336	D9
C355	I10	R337	F10
C356	I9	R338	D8
C357	F10	R339	I10
C358	F10	R340	F10
C359	D8	R341	K6
C360	D7	R342	H10
C361	C8	R343	H10
C362	I10	R344	H10
C363	J10	R345	I11
C364	H10	R346	H9
C365	I11	R347	H9
C366	H11	R348	F5
C367	F5	R349	F5
C368	F4	R350	L6
C369	E9	R351	K8
C370	L5	R352	F10
C371	J10	R353	F10
C372	K10	R354	J5
C373	J11		
C374	H11		
C375	D8		
D301	D10		
FL301	E3		
IC301	F8		
J301	G3		
L301	F11		

'03.01.17 R15002C  
D:SCHEMATIC AVCP/SECAM/S.EZ  
PAL VCR SANYO

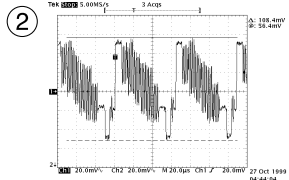


# WAVEFORM & VOLTAGE SHEET

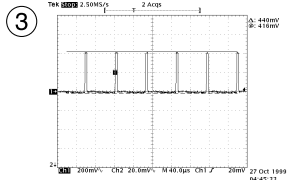
## ★ IC301 Oscilloscope Waveform



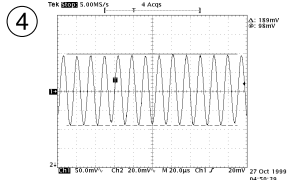
IC301 Pin 75  
PB mode  
500mvp-p



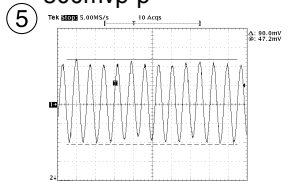
IC301 Pins 48, 50, 52  
Video in 1Vp-p



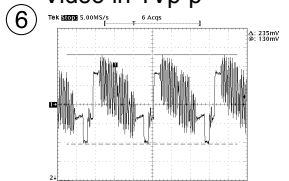
IC301 Pin 67  
PB/REC mode  
4.0Vp-p



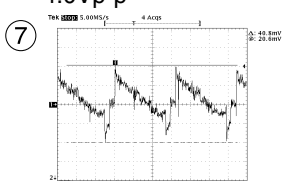
IC301 Pin 100  
REC mode  
1.1Vp-p



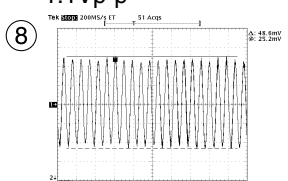
IC301 Pin 3  
REC mode  
2.0Vp-p



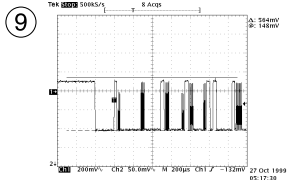
IC301 Pin 65  
PB mode  
2.02Vp-p



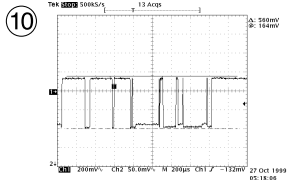
IC301 Pin 43  
PB mode  
400mVp-p



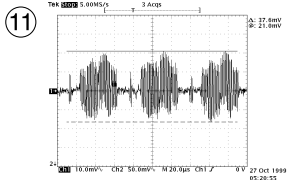
IC301 Pin 28  
PB mode  
400mVp-p



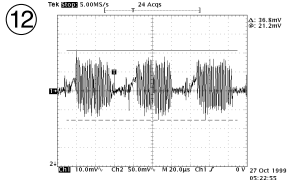
IC301 Pin 68  
PB/REC mode  
5Vp-p



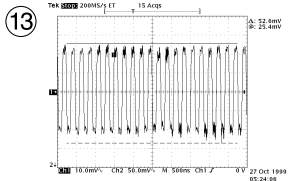
IC301 Pin 69  
PB/REC mode  
5Vp-p



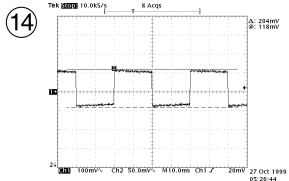
IC301 Pins 21  
REC mode  
340mVp-p



IC301 Pins 25  
PB mode  
300mVp-p

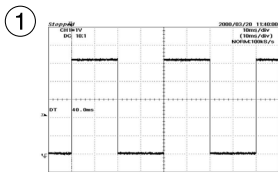


IC301 Pin 29  
PB mode  
400mVp-p

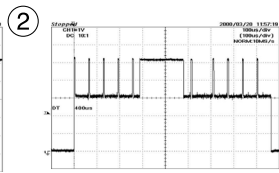


IC301 Pin 70  
PB mode  
3.6Vp-p

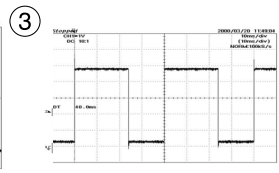
## \* IC501 Waveform Photographs



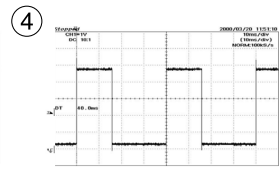
V.HSW  
(IC501 Pin 105)  
1V/10mS  
REC/PB MODE



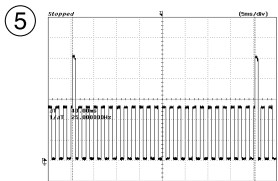
DV.SYNC  
(IC501 PIN 109)  
1V/100uS  
QUE/REV MODE



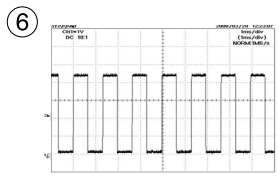
CTL(+)  
(IC501 Pin 3)  
1V/10mS



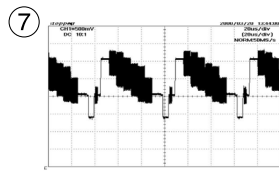
CTL(-)  
(IC501 Pin4)  
1V/10mS



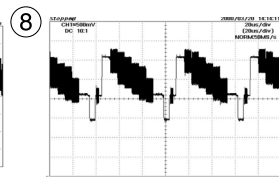
DFG/FG  
(IC501 PIN 103,104)  
1V/10mS  
REC/PB MODE



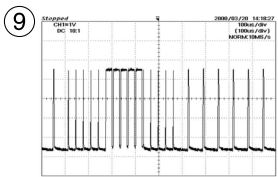
CFG  
(IC501 Pin9)  
1V/10mS



V.IN  
(IC501 Pin 17)  
500mV/20uS

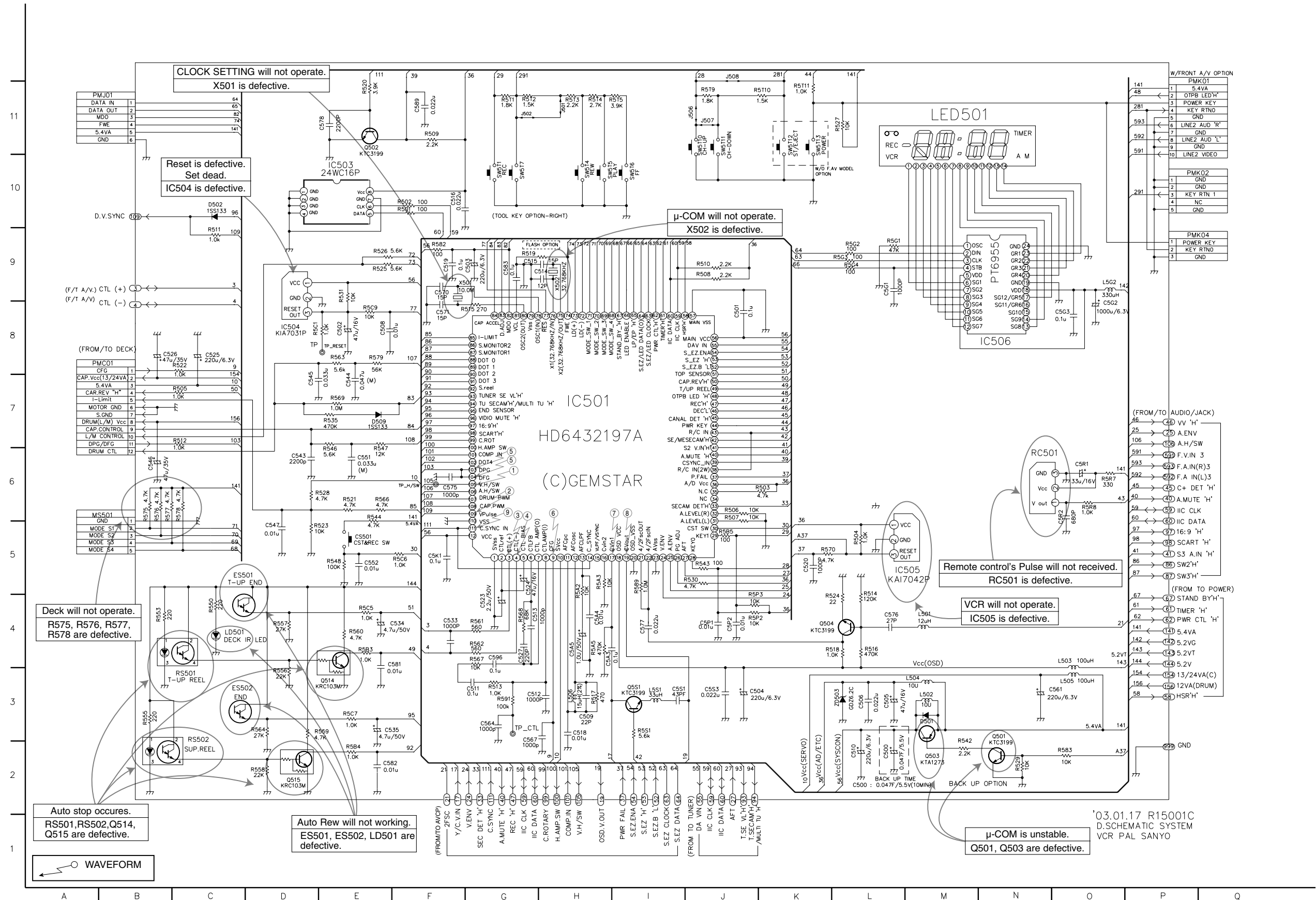


V.OUT  
(IC501 Pin 19)  
500mV/20uS  
EE/PB MODE



C.SYNC  
(IC501 Pin 111)  
1.0V/100uS  
EE/PB MODE

# 4. System Circuit Diagram



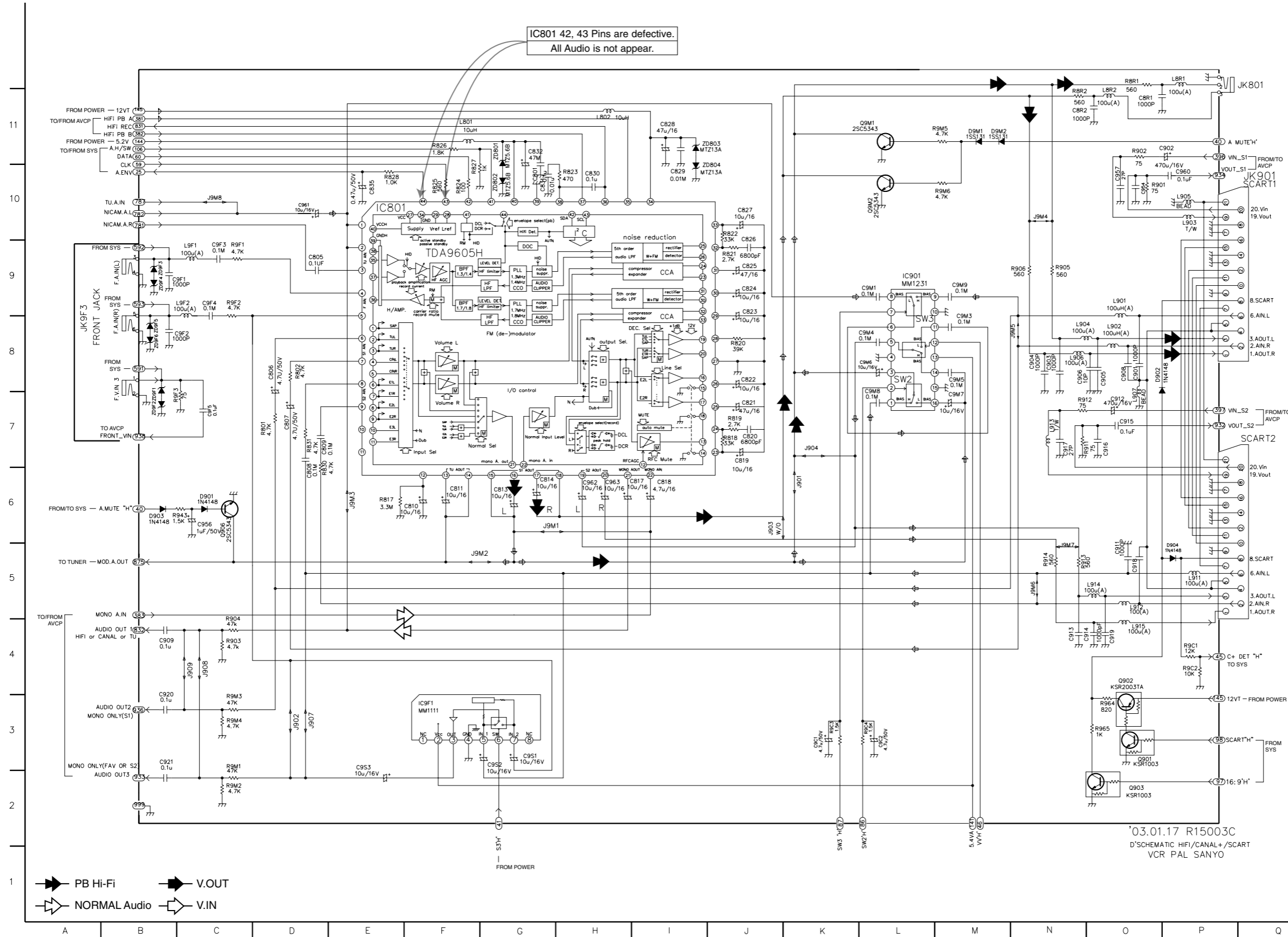
'03.01.17 R15001C  
D.SCHEMATIC SYSTEM  
VCR PAL SANYO

# 5. Hi-Fi, SCART Circuit Diagram

IC801 42, 43 Pins are defective.  
All Audio is not appear.

## LOCATION GUIDE

C801	G10	J9M1	G6
C805	D9	J9M2	F5
C806	D8	J9M3	E6
C807	D7	J9M4	N10
C808	D6	J9M5	N8
C809	D7	J9M6	N5
C810	F6	J9M7	N5
C811	F6	J9M8	C10
C813	G6	JK901	C12
C814	G6	JK901	Q10
C817	H6	JK9F3	A8
C818	I6	L801	F11
C819	J7	L802	H11
C820	J7	L8R1	P12
C821	J7	L8R2	O11
C822	J8	L901	O9
C823	J9	L902	O8
C824	J9	L903	P10
C825	J9	L904	N8
C826	J9	L905	P10
C827	J10	L906	N8
C828	I11	L907	O7
C829	I10	L911	P5
C830	H10	L912	O5
C831	G10	L913	N7
C832	G11	L914	O5
C835	E10	L915	O4
C8R1	O11	L9F1	C9
C8R2	N11	L9F2	C9
C901	O8	O901	O3
C902	O11	O902	O4
C903	N8	O903	O2
C904	N8	O906	C6
C905	O8	O9M1	L11
C906	N8	O9M2	L10
C908	O8	R801	D7
C909	B4	R802	D8
C911	O5	R817	E6
C912	O7	R818	J7
C913	N4	R819	J7
C914	O4	R820	J8
C915	O7	R821	J9
C916	O7	R822	J10
C917	N7	R823	H10
C918	O5	R824	F10
C919	O4	R825	F10
C920	B3	R826	F11
C921	B3	R827	F10
C954	O10	R828	E10
C956	C6	R830	D6
C957	O10	R831	D7
C960	P10	R8R1	O12
C961	D10	R8R2	N11
C962	H6	R901	O10
C963	H6	R902	O11
C9C1	K3	R903	C4
C9C2	L3	R904	C4
C9F1	B9	R905	N9
C9F2	B8	R906	N9
C9F3	C9	R911	O7
C9F4	C9	R912	N7
C9F5	C7	R913	N5
C9M1	L9	R914	N5
C9M3	M8	R943	B6
C9M4	L8	R964	O3
C9M5	M8	R965	O3
C9M6	L8	R9C1	P4
C9M7	M7	R9C2	P4
C9M8	L7	R9C3	K3
C9M9	M9	R9C4	L3
C9S1	G3	R9F1	C9
C9S2	G3	R9F2	C9
C9S3	E3	R9F3	C7
D901	O6	R9M1	C3
D902	O8	R9M2	C2
D903	B6	R9M3	C3
D904	P5	R9M4	C3
D9M1	M11	R9M5	L11
D9M2	M11	R9M6	M10
IC801	E10	ZD801	G11
IC801	L9	ZD802	G10
IC9F1	F3	ZD803	F11
J901	K6	ZD804	I10
J902	D3	ZD9F1	B7
J903	J6	ZD9F2	B7
J904	K7	ZD9F3	B9
J907	D3	ZD9F4	B9
J908	C4	ZD9F5	B8
J909	C4	ZD9F6	B8



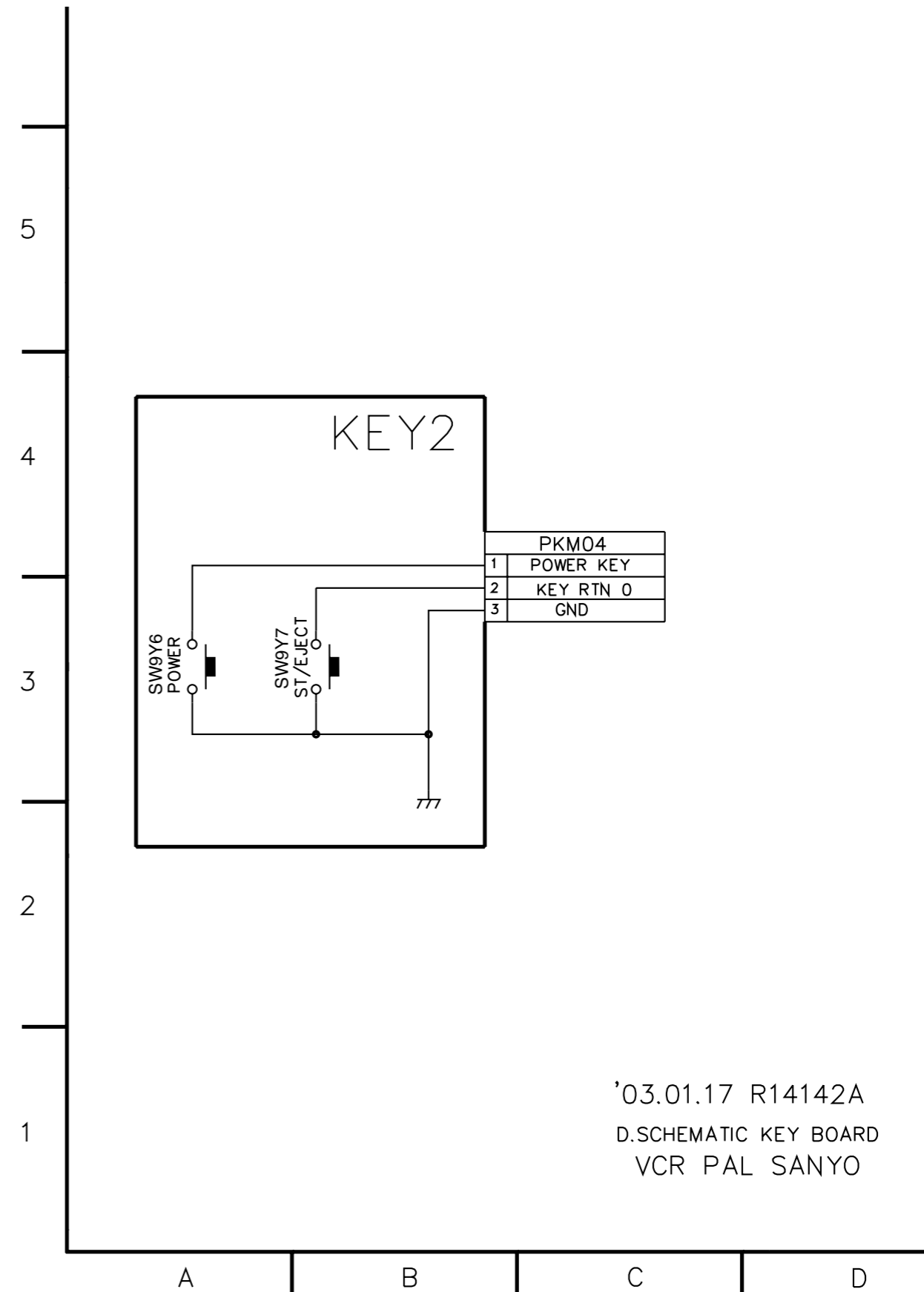
'03.01.17 R15003C  
D'SCHEMATIC HIFI/CANAL+/SCART  
VCR PAL SANYO

PB Hi-Fi     V.OUT  
 NORMAL Audio     V.IN

• Hi-Fi, SCART Circuit Option Table

SYMBOL	MONO		Hi-Fi				
	1 scart	Canal+front	2 scart	2s+front	Canal+front		
	VHR-M263EV/ VHR-M293E/	VHR-M273SP	VHR-H773EV/ VHR-H793E/	VHR-H803E	VHR-H773SP		
J901	O	X	O	O	O	OPTION TIN WIRE	
J902	X	X	X	X	X		
J903	X	X	O	O	X		
J904	X	X	O	O	X		
J907	X	X	X	X	X		
J908	X	X	O	O	O		
J909	X	X	O	O	O		
J9M1~8	O	O	X	X	X		MONO ALL
R9M1~4	O	O	X	X	X		
R9C1	X	12K	X	X	12K	CANAL ALL	
R9C2	T/W	10K	T/W	T/W	10K		
D904	X	X	O	O	X		
C962~3	X	X	X	X	O		
C9M1, C9M3~9	X	O	X	X	X		
C9F1~5 R9F1,3 L9F1~2	X	O	X	O	O	FAV ALL	
C9S1~3	X	O	X	X	X		
R9F2	X	T/W	X	O	O		
C911~919 R911~914 L911~915	X	O	O	O	O	2SCART ALL	
R343, 347, Q307	X	O	O	O	O		
R9M5~6 Q9M1~2 D9M1~2	X	O	X	X	X	MONO CANAL	
W730	O	O	O	O	O	ALL	
R9M2, R9M4	3.9K	4.7K	X	X	X		
R903	4.7K	4.7K	4.7K	4.7K	4.7K		
JK9F3	X	O	X	O	O		
R.JECK	X	X	O	O	O		
JK901	0002B	0002A	0002C	0002C	0002A		
IC901	X	O	X	X	X		
IC9F1	X	O	X	X	X		

6. Key Circuit Diagram (VHR-H803E/VHR-M273SP/VHR-H773SP)



'03.01.17 R14142A  
D.SCHEMATIC KEY BOARD  
VCR PAL SANYO



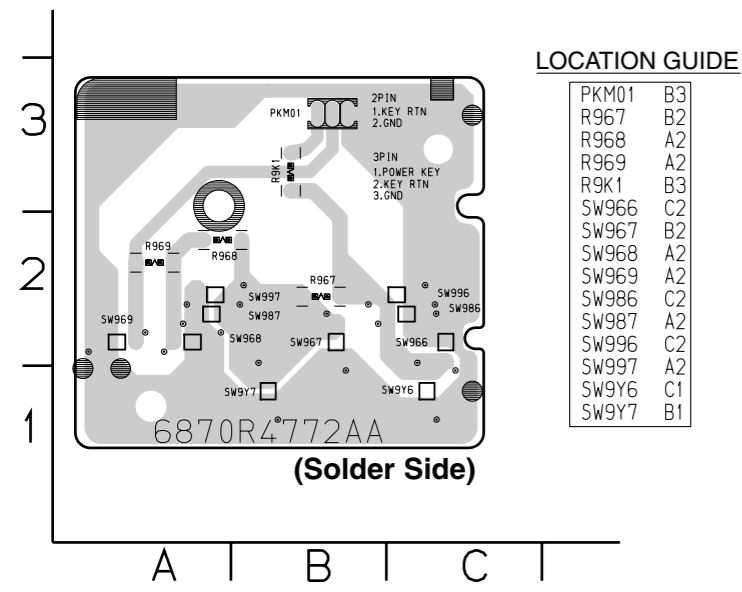
MODE PIN NO.	EE	PB	REC
5	2.47	2.48	2.48
6	2.47	2.48	2.48
7	0.54	0.5	0.46
8	0	0	0.45
9	0	0	0.45
10	0	0	0
11	5.16	5.16	5.16
12	4.91	4.86	4.79
13	4.9	4.8	4.79
14	2.58	0.51	0.57
15	2.58	0.5	0
16	2.41	0.51	0.57
17	0.53	0.53	0
18	0.54	0.51	0.58
19	5.13	5.14	5.14
20	0	0	0
21	0.53	0.51	0
22	5.16	5.16	5.16
23	0	0.02	0
24	0	0.02	0
25	0	0	0
26	0	0.05	0
27	0.05	0.05	0
28	0	0	0
29	0	0	2.8
30	2.8	2.8	2.8
31	2.79	2.79	2.79
32	0	0.02	0
33	5.16	5.14	5.15
34	4.2	4.2	4.21
35	0	0	0
36	2.8	2.8	2.8
37			0
38			0
39			0
40	2.84	2.84	2.79
41	2.85	2.83	2.79
42	2.59	2.59	2.59
43	2.31	2.31	2.3
44	3.3		0

Tran- sistor	EE Mode			PB Mode			REC Mode		
	EE	PB	REC	EE	PB	REC	EE	PB	REC
Q151	4.55	5.3	5.24	5.34	4.54	5.24	5.3	4.55	5.24
Q152	5.31	4.52	5.22	5.31	4.52	5.22	5.3	4.51	5.22
Q154	32.99	32.34	32.97	33.53	32.89	33.5	33.76	33.12	33.72
Q155	12.73	13.4	14.05	12.68	13.35	13.77	12.76	13.42	13.98
Q157	0.03	0.84	4.38	0.03	0.84	4.38	-0.03	0.84	4.38
Q159	29.84	29.78	13.21	29.79	29.8	12.48	30.14	30.13	12.73
Q161	0.03	0	29.82	0.03	0	29.8	-0.03	0	30.11
Q162	0.02	0.69	0	-0.02	0.69	0	-0.02	0.69	0
Q163	0.03	5.18	0.03	0.03	5.18	0.03	-0.03	5.18	0.03
Q164	-0.03	4.38	-0.01	-0.03	4.38	-0.01	-0.03	4.38	0
Q165	14.06	-0.01	14.04	13.74	-0.01	13.71	13.95	-0.01	13.95
Q166	4.4	5.3	5.11	5.3	4.41	5.13	5.3	4.4	5.1
Q301	0	0.01	5.15	0	0	5.15	0	0.75	1.69
Q302	5.18	5.18	-0.42	5.18	4.52	5.12	5.14	5.13	-24.71
Q303	0.01	-0.42	0	0	0.69	0.01	-18.22	-24.85	0.01
Q304	0.01	-0.4	0	0	0.71	0	-18.22	-24.7	0
Q305	2.01	1.29	0	2.53	1.83	0	2.5	1.81	0
Q306	5.14	5.19	5.19	5.19	5.16	5.19	1.9	2.14	4.89
Q307	2.69	1.98	0	2.69	1.98	0	2.64	1.93	0
Q308	2.66	1.98	0	2.63	1.96	0	2.6	1.93	0
Q309	3.09	2.41	0	3.05	2.37	0	3.01	2.33	0
Q501	0	0.67	0.01	0	0.67	0.01	0	0.67	0.01
Q502	0	0.71	0.01	0	0.22	2.33	0	0.23	2.29
Q503	5.3	4.61	5.28	5.3	4.61	5.28	5.3	4.61	5.28
Q504	0	0.14	2.69	0.05	0.63	2.65	0.05	0.67	2.67
Q5S1	0.43	0	1.61	2.22	0	2.53	1.92	0	2.5
Q514	0	5.09	0.01	0			0		
Q515	0	0	5.16	0			0		
Q906	0	0.12	1.93	0	0.07	2.37	0	0.13	2.4
Q901	0	5.26	0.01	0	5.25	0.01	0	5.25	0.01
Q7S1	0	0	1.32	0	0		0	0	0.98
Q902	12.73	0.01	12.73	12.66	0.01	12.66	12.72	0.01	12.71
Q903	0	0	12.72	0	0	12.64	0	0	12.71





## 2. KEY (LEFT) P.C.Board (VHR-H803E/VHR-M273SP/VHR-H773SP)



# SECTION 4 MECHANISM

## CONTENTS

### DECK MECHANISM PARTS LOCATIONS

- Top View .....4-1
- Bottom View .....4-1

### DECK MECHANISM DISASSEMBLY

1. Drum Assembly .....4-2
2. Plate Top .....4-4
3. Holder Assembly CST .....4-4
4. Opener Door .....4-4
5. Bracket Assembly L/D Motor.....4-4
6. Gear Assembly Rack F/L .....4-4
7. Arm Assembly F/L.....4-4
8. Lever Assembly S/W .....4-4
9. Arm Assembly Cleaner.....4-5
10. Head F/E .....4-5
11. Base Assembly A/C Head .....4-5
12. Brake Assembly T .....4-6
13. Brake Assembly RS .....4-6
14. Arm Assembly Tension.....4-6
15. Reel S / Reel T.....4-6
16. Base Assembly P4 .....4-7
17. Opener Lid .....4-7
18. Arm Assembly Pinch .....4-7
19. Lever T/up / Arm T/up .....4-7
20. Belt Capstan/Motor Capstan .....4-8
21. Lever F/R .....4-8
22. Clutch Assembly D35 .....4-8
23. Brake Assembly Capstan .....4-8
24. Gear Drive/Gear Cam .....4-9
25. Gear Sector .....4-9
26. Plate Slider .....4-9
27. Lever Tension .....4-9
28. Lever Spring .....4-9
29. Gear Assembly P2/  
Gear Assembly P3 .....4-10
30. Base Assembly P2/  
Base Assembly P3 .....4-10
31. Base Loading .....4-11
32. Base Tension .....4-11
33. Arm Assembly Idler .....4-11

### DECK MECHANISM ADJUSTMENT

- Tools and Fixtures for Service .....4-12
1. Mechanism Alignment Position Check....4-13
  2. Preparation for Adjustment.....4-14
  3. Checking Torque .....4-14
  4. Guide Roller Height Adjustment.....4-15
    - 4-1. Preliminary Adjustment .....4-15
    - 4-2. Precise Adjustment .....4-15
  5. Audio/Control (A/C) Head Adjustment ....4-16
    - 5-1. Preliminary Adjustment .....4-16
    - 5-2. Confirmation of Tape Path between  
Pinch Roller and Take-up Guide ....4-17
    - 5-3. Precise Adjustment(Azimuth Adjustment)  
.....4-17
  6. X-Value Adjustment.....4-17
  7. Adjustment after Replacing Drum Assembly  
(Video Heads) .....4-18
  8. Check the Tape Travel after Reassembling  
Deck Mechanism.....4-18
    - 8-1. Checking Audio and RF Locking Time  
during Playback after CUE or REV  
.....4-18
    - 8-2. Checking for Tape Curling or  
Jamming .....4-18

### MAINTENANCE/INSPECTION PROCEDURE

1. Check before starting Repairs .....4-19
2. Required Maintenance .....4-20
3. Scheduled Maintenance.....4-20
4. Supplies Required for Inspection and  
Maintenance.....4-20
5. Maintenance Procedure .....4-20
  - 5-1. Cleaning.....4-20
  - 5-2. Greasing .....4-21

### MECHANISM TROUBLESHOOTING GUIDE

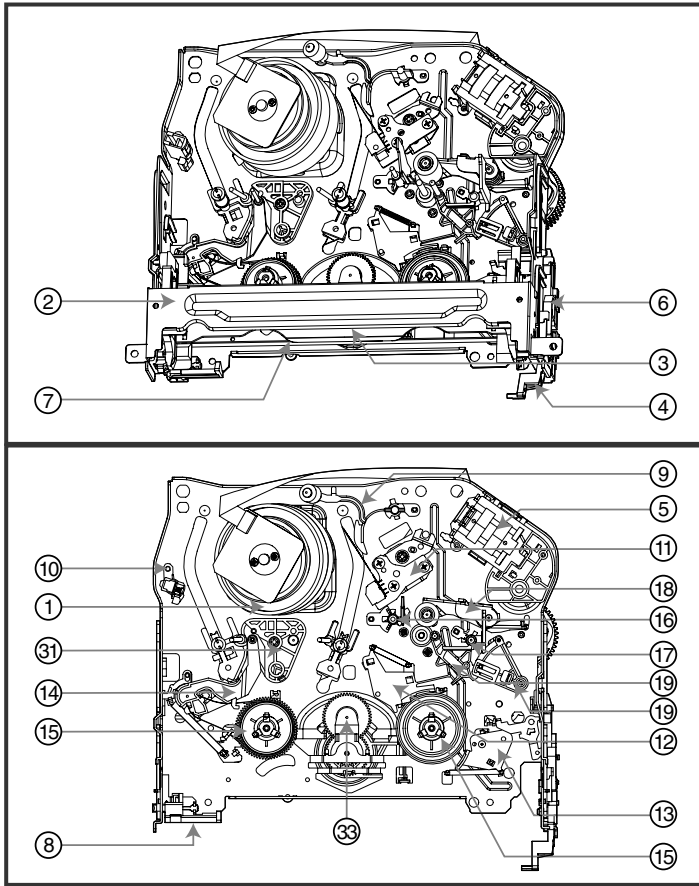
1. Deck Mechanism.....4-23
2. Front Loading Mechanism.....4-26

### EXPLODED VIEWS

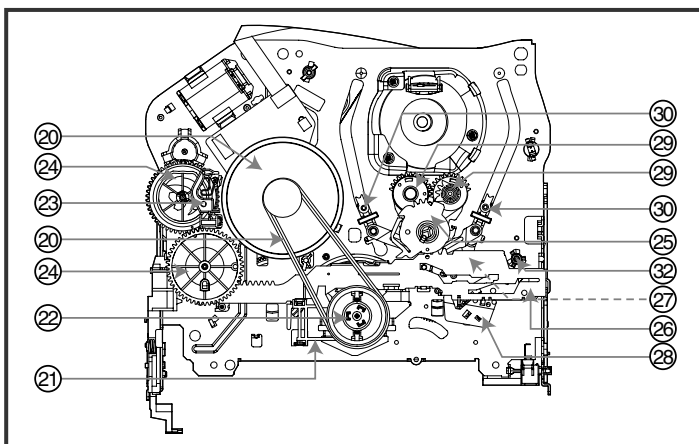
1. Front Loading Mechanism Section .....4-28
  2. Moving Mechanism Section (1).....4-29
  3. Moving Mechanism Section (2).....4-30
-

# DECK MECHANISM PARTS LOCATIONS

## • Top View



## • Bottom View



**NOTE : When reassembly perform the procedure in the reverse order.**

- 1) When reassembling, confirm Mechanism and Mode Switch Alignment Position (Refer to Page 4-13)
- 2) When disassembling, the Parts for Starting No. Should be removed first.

Starting No.	Procedure	Part	Fixing Type	Figure	View
	1	Drum Assembly	3 Screw	A-1	T
	2	Plate Top	2 Hook	A-2	T
2	3	Holder Assembly CST	Chassis Hole	A-2	T
2	4	Opener Door	Chassis Hole	A-2	T
	5	Bracket Assembly L/D Motor	3 Hook	A-2	T
2,3,4	6	Gear Assembly Rack F/L	1 Hook, Chassis Hole	A-2	T
2,3,4,6	7	Arm Assembly F/L	Chassis Hole	A-2	T
	8	Lever Assembly S/W	1 Hook	A-2	T
	9	Arm Assembly Cleaner	Chassis Embossing	A-3	T
	10	Head F/E	Chassis Embossing	A-3	T
	11	Base Assembly A/C Head	1 Screw	A-3	T
2,3	12	Brake Assembly T	1 Hook	A-4	T
2,3	13	Brake Assembly RS	1 Hook	A-4	T
2,3	14	Arm Assembly Tension	2 Hook	A-4	T
2,3,12,13,14	15	Reel S/Reel T		A-4	T
	16	Base Assembly P4	Chassis Embossing	A-5	T
	17	Opener Lid	Chassis Embossing	A-5	T
17	18	Arm Assembly Pinch	Shaft	A-5	T
17	19	Lever T/Up / Arm T/Up	1 Hook	A-5	T
17,18	20	Belt Capstan/Motor Capstan	3 Screw	A-6	B
	21	Lever F/R	Locking Tab	A-6	B
20, 21	22	Clutch Assembly D35	Washer	A-6	B
	23	Brake Assembly Capstan	Locking Tab	A-6	B
	24	Gear Drive/Gear Cam	Washer/Hook	A-7	B
	25	Gear Sector	1 Hook	A-7	B
20,21,23,24,25	26	Plate Slider	Shaft Guide	A-7	B
20,21,23,24,25,26	27	Lever Tension	1 Hook	A-7	B
2,3,14,20,21,25,23,24,26	28	Lever Spring	Locking Tab	A-7	B
25	29	Gear Assembly P2/Gear Assembly P3	Boss	A-8	B
2,3,14,25,29	30	Base Assembly P2/Base Assembly P3	Chassis Slot	A-8	B
2,3,14,25,29	31	Base Loading	1 Screw	A-9	T
2,3,14	32	Base Tension	Chassis Embossing	A-9	B
2,3,20,21,22	33	Arm Assembly Idler	Locking Tab	A-9	T

T:Top, B:Bottom

# DECK MECHANISM DISASSEMBLY

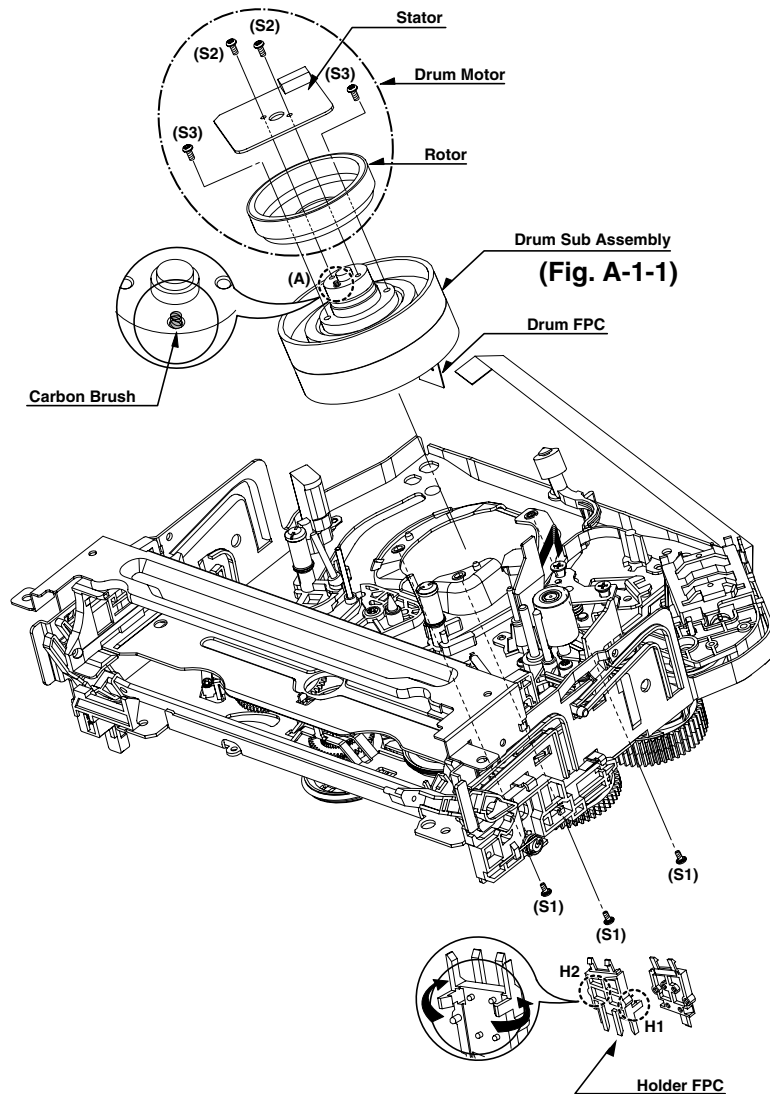


Fig. A-1

## 1. Drum Assembly (Fig. A-1-1)

- 1) Unplug the Drum FPC Connector.
- 2) Remove three Screws(S1) on bottom side and separate the Drum assembly.
- 3) Unhook (H1), (H2) and separate the Holder FPC and Cap FPC.

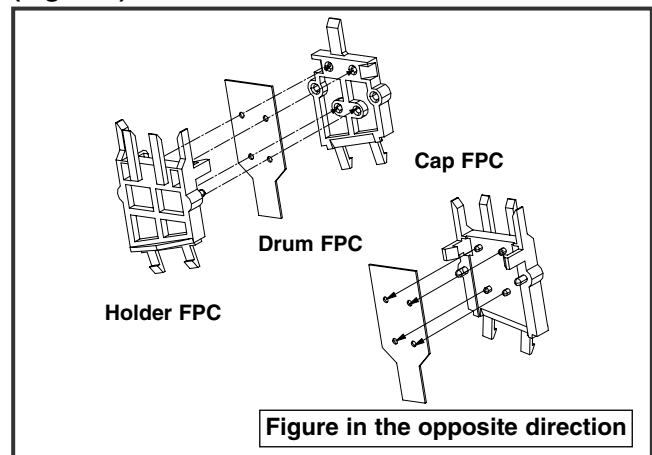
### 1-1. Drum Motor

- 1) Remove two Screws(S2) and disassemble the Stator of the Drum Motor.
- 2) Remove two Screws(S3) and separate the Rotor of the Drum Motor from the Drum Sub assembly.

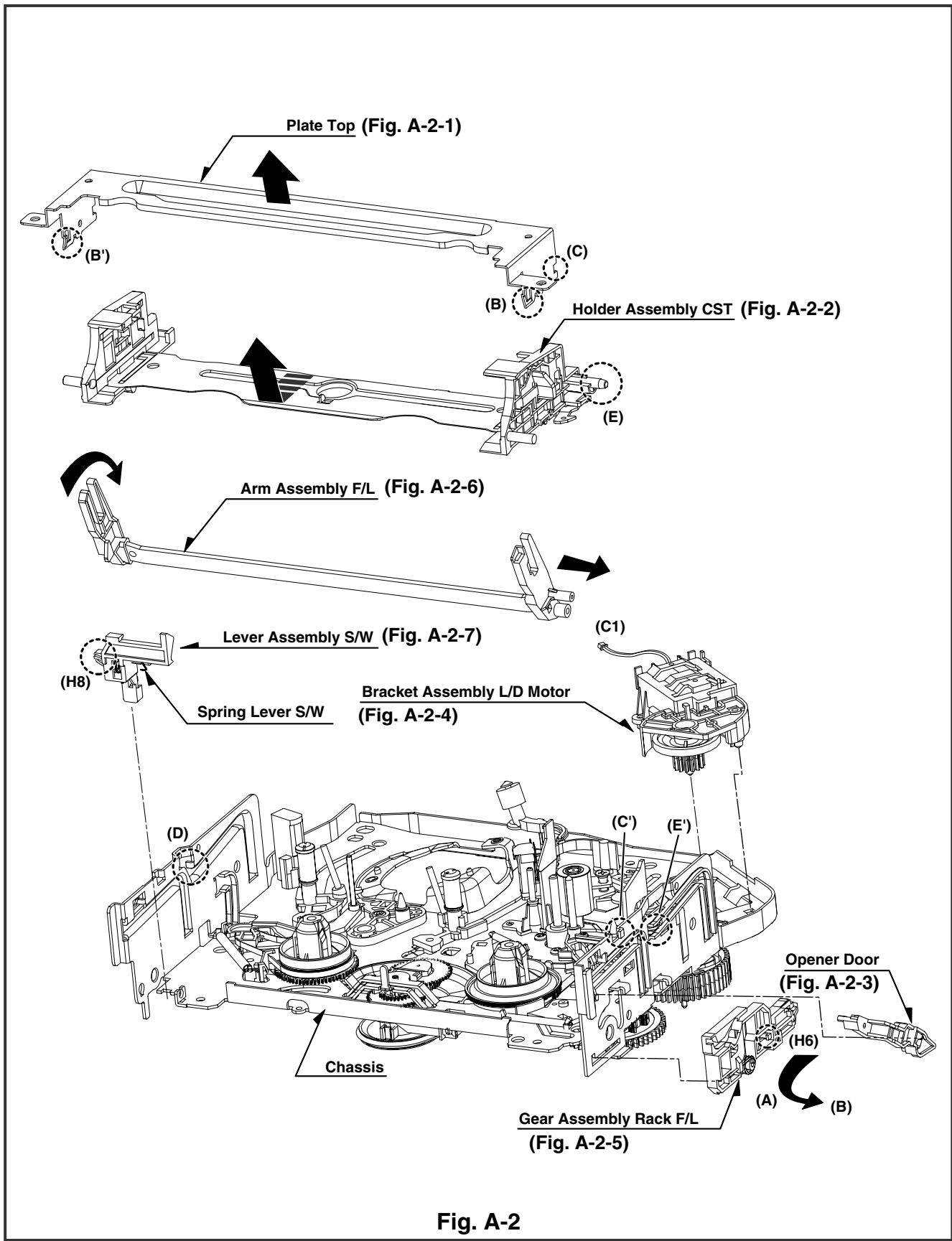
## NOTE

When reassembling, confirm (A) portion of the Drum Sub assembly whether the Carbon Brush is in there or not.

## (Fig. B-1)



# DECK MECHANISM DISASSEMBLY



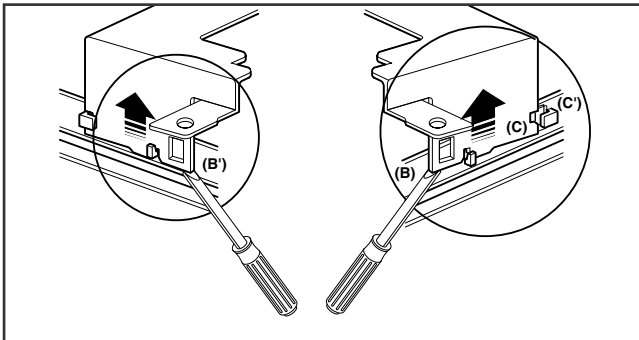
# DECK MECHANISM DISASSEMBLY

## 2. Plate Top (Fig. A-2-1)

- 1) Pull the (B) portion of the Plate Top back in direction of arrow and separate the right side of it.
- 2) pull the (B') portion of the Plate Top back in direction of arrow and separate the left side of it.  
(Used tools : (-) type driver, anything tool with sharp point or flat point.)

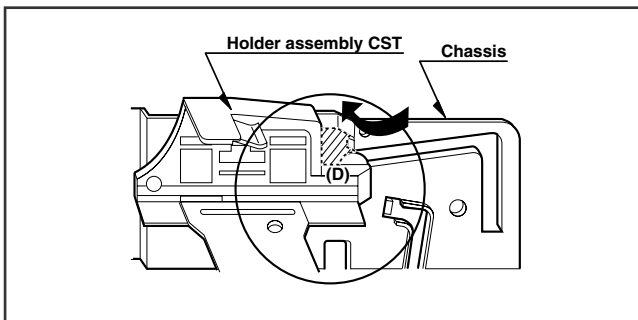
### NOTE

- (1) When reassembling, push the Plate Top after alignment the two position(C), (C') as below Fig.



## 3. Holder Assembly CST (Fig.A-2-2)

- 1) Move the Holder Assembly CST in direction of arrow and separate the left side of it first through the (D) position of the Chassis.



- 2) Disassemble the right side of the Holder Assembly CST from each guided hole of the Chassis.

### NOTE

When reassembling, insert the (E) part of the Holder Assembly CST in the (E') hole of the Chassis first and assemble the left side of it.

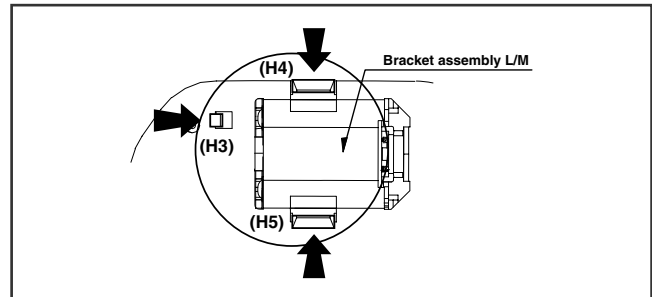
## 4. Opener Door (Figure. A-2-3)

- 1) Turn the Opener Door clockwise and remove it through the guide hole of the Chassis.

## 5. Bracket Assembly L/D Motor (Fig. A-2-4)

- 1) Unplug the Connector(C1).

- 2) Unhook three Hooks(H3, H4, H5) on bottom side of the Chassis, lift up the Bracket Assembly L/M and disassemble the Bracket Assembly L/D Motor.

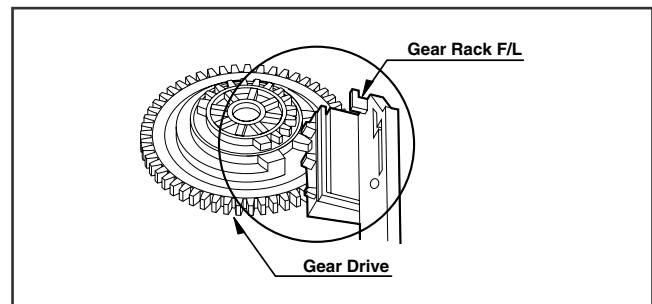


## 6. Gear Assembly Rack F/L (Fig. A-2-5)

- 1) Move the Gear Assembly Rack F/L in direction of arrow(A) and unhook the Hook(H6) pulling back in front.
- 2) Separate the Gear Rack F/L in direction of arrow(B).

### NOTE

When reassembling, align the gear part of the Gear Assembly Rack F/L with the Gear Drive as below Fig.

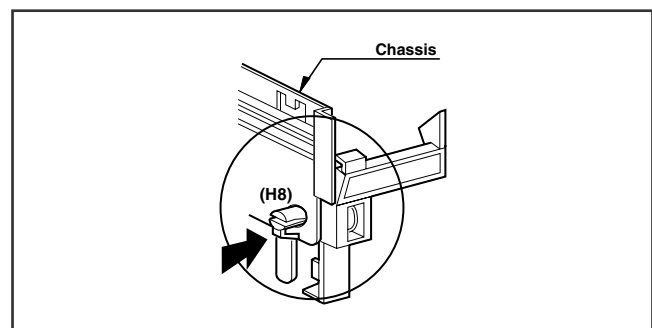


## 7. Arm Assembly F/L (Fig. A-2-6)

- 1) Move the Arm Assembly F/L in direction of arrow and separate the left side of it first.
- 2) Disassemble the Arm Assembly F/L from each guided hole of the Chassis.

## 8. Lever Assembly S/W(Fig. A-2-7)

- 1) Unhook the Hook(H8) in the left side of the Chassis and remove the Lever Assembly S/W.



# DECK MECHANISM DISASSEMBLY

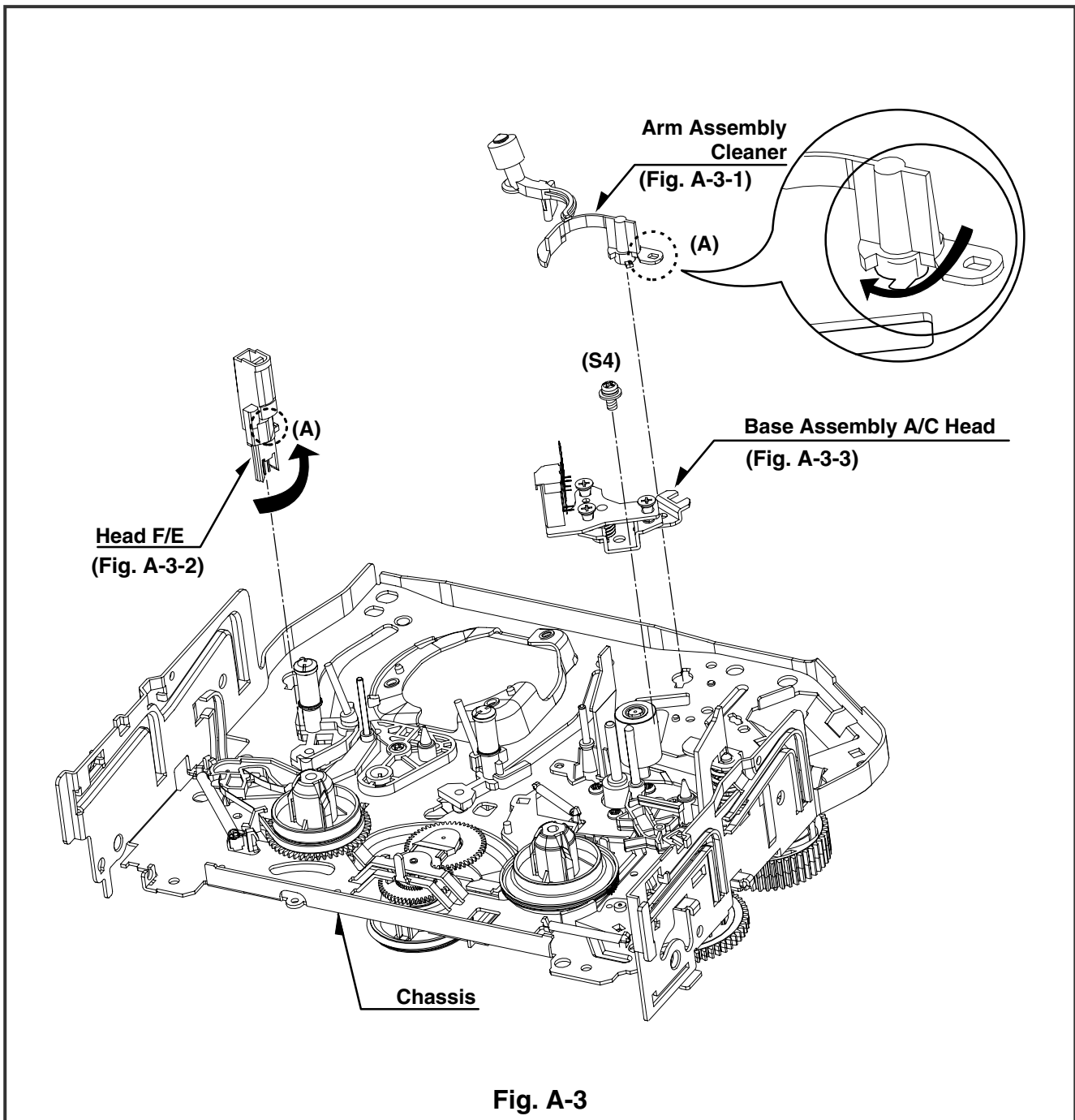


Fig. A-3

## 9. Arm Assembly Cleaner (Fig. A-3-1)

- 1) Breakaway the (A) portion as Fig. A-3-1 from the embossing of the Chassis, turn the Arm assembly Cleaner to clockwise direction and lift it up.

## 10. Head F/E (Fig. A-3-2)

- 1) Breakaway the (A) portion of the Head F/E from the embossing of the Chassis, turn it to counterclockwise direction and lift it up.

## 11. Base Assembly A/C Head (Fig. A-3-3)

- 1) Remove the Screw(S4) and lift the Base Assembly A/C Head up.

# DECK MECHANISM DISASSEMBLY

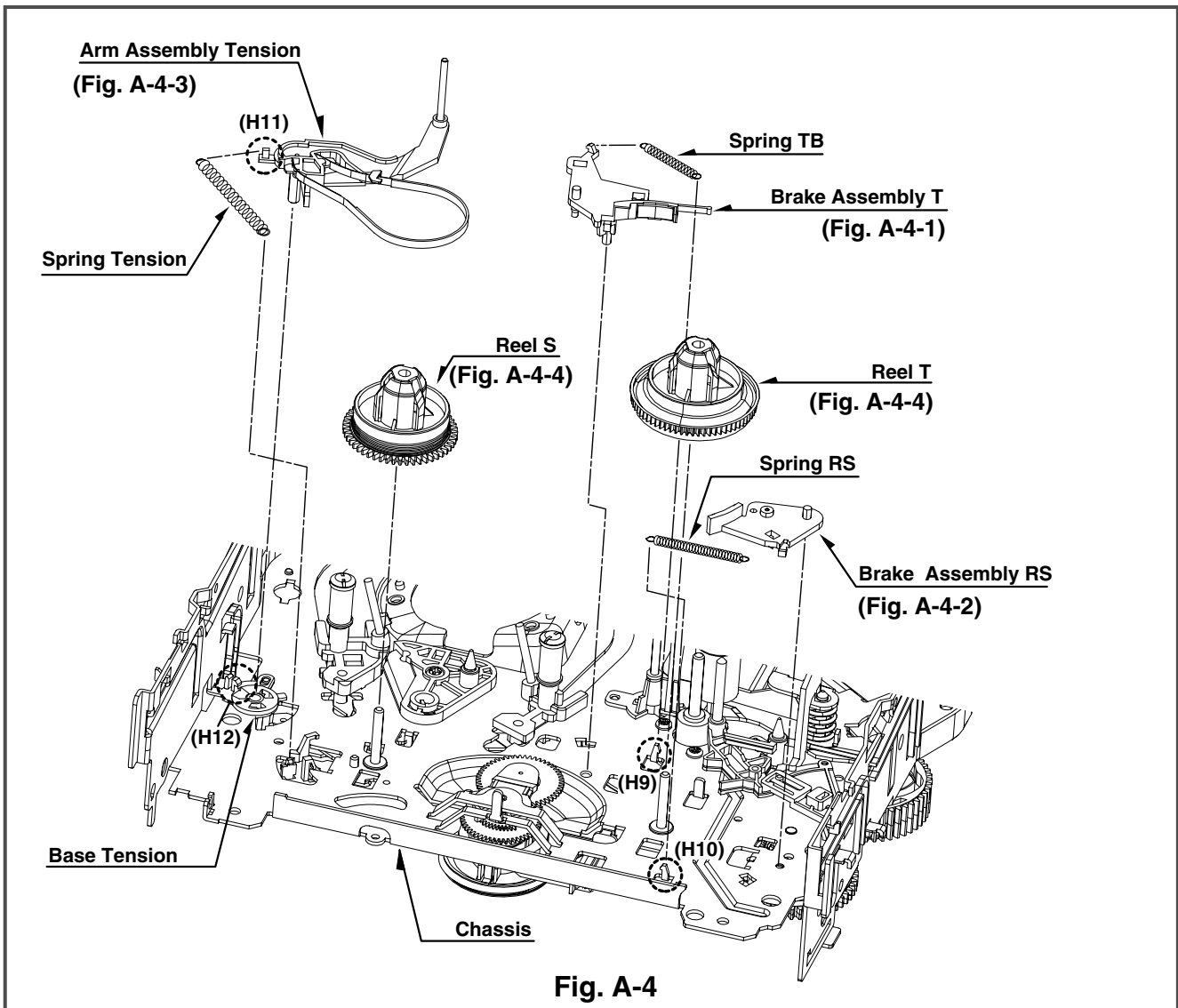


Fig. A-4

## 12. Brake Assembly T (Fig. A-4-1)

- 1) Unhook the Spring TB from the Hook(H9) of the Chassis.
- 2) Lift the Brake Assembly T up.

## 13. Brake Assembly RS (Fig. A-4-2)




- 1) Unhook the Spring RS from the Hook(H10) of the Chassis.
- 2) Lift the Brake Assembly T up.

## 14. Arm Assembly Tension (Fig. A-4-3)

- 1) Unhook the Spring Tension from the Hook(H11) of the Arm Assembly Tension.
- 2) Unhook the Hook(H12) of the Base Tension and lift the Arm Assembly Tension up.

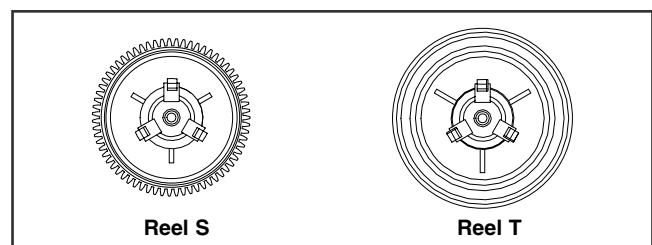
## NOTE

### Difference for Springs

	Spring TB	
	Spring RS	Color (Black)
	Spring Tension	

## 15. Reel S / Reel T (Fig. A-4-4)

- 1) Difference for Reel S / Reel T





# DECK MECHANISM DISASSEMBLY

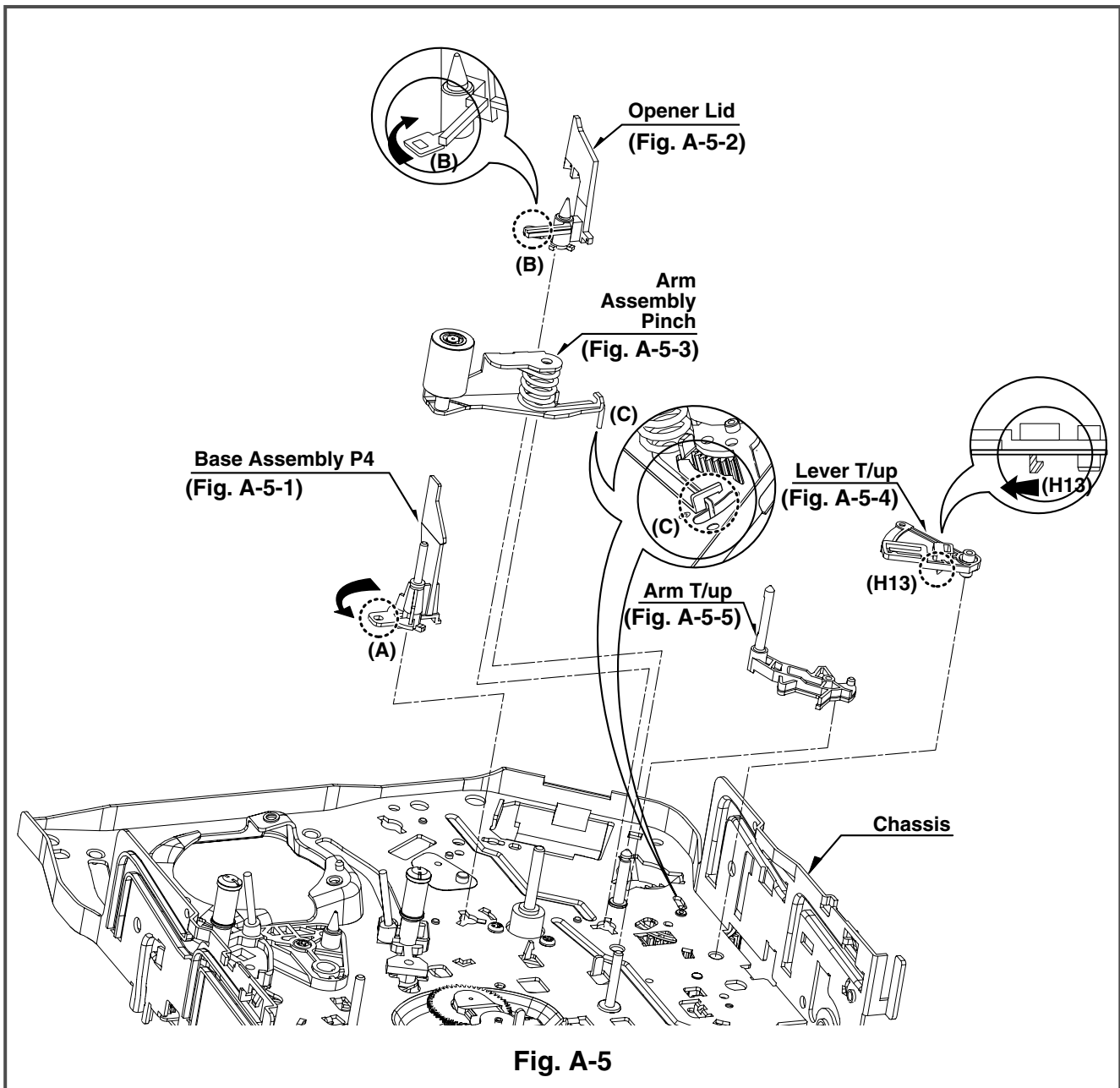


Fig. A-5

## 16. Base Assembly P4 (Fig. A-5-1)

- 1) Breakaway the (A) portion of the Base Assembly P4 from the embossing of the Chassis.
- 2) Turn the Base Assembly P4 to counterclockwise direction and lift it up.

## 17. Opener Lid (Fig. A-5-2)

- 1) Breakaway the (B) portion of the Opener Lid from the embossing of the Chassis.
- 2) Turn the Opener Lid to clockwise direction and lift it up.

## 18. Arm Assembly Pinch (Fig. A-5-3)

- 1) Lift the Arm Assembly Pinch up.

## NOTE

When reassembling, confirm the (C) portion of the Arm Assembly Pinch is inserted to the Chassis hole correctly as Fig.

## 19. Lever T/up (Fig. A-5-4)/ Arm T/up (Fig. A-5-5)

- 1) Unhook the Hook(H13) of the bottom Chassis and lift the Lever T/up up.
- 2) Lift the Arm T/up up.

# DECK MECHANISM DISASSEMBLY

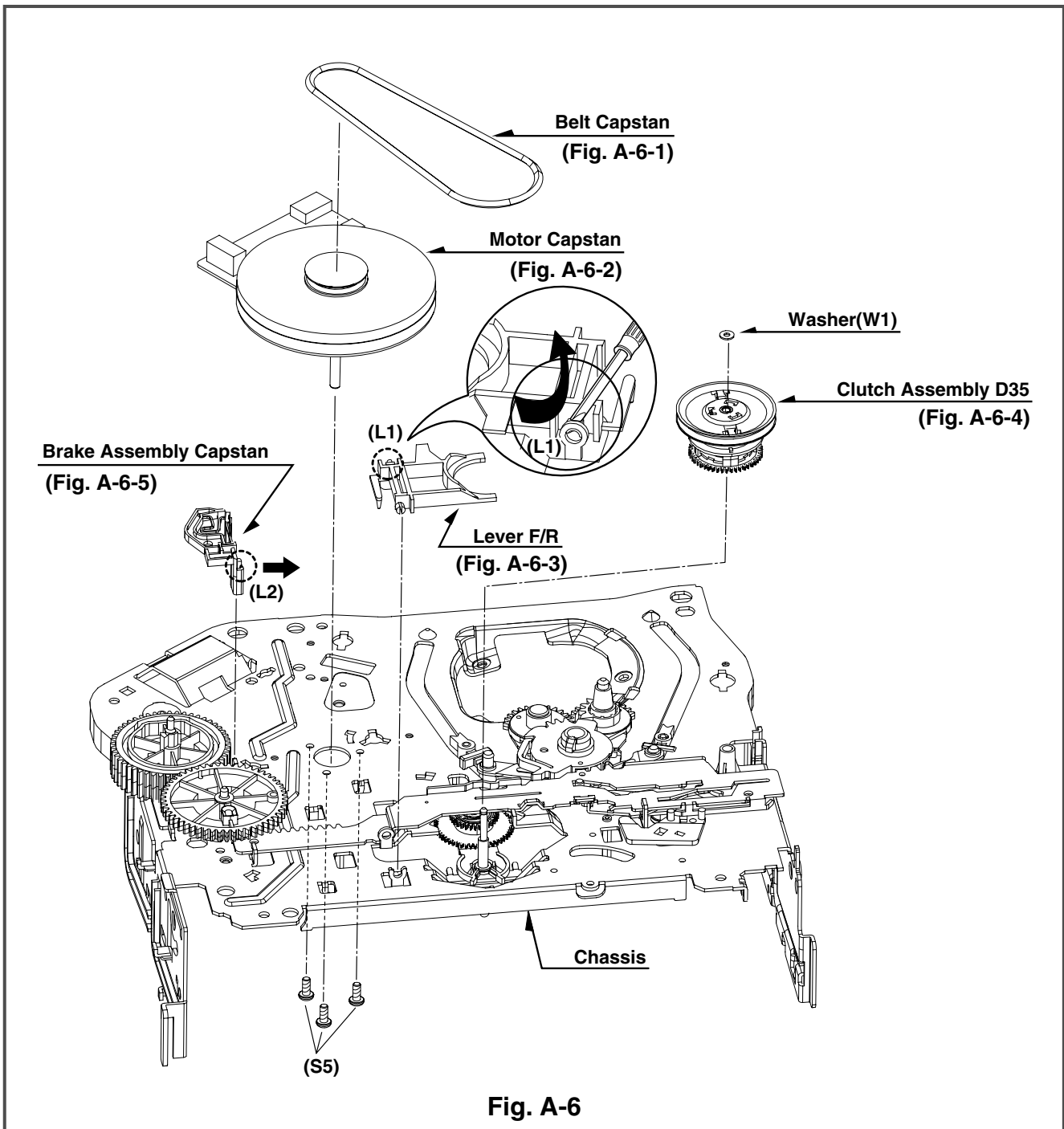


Fig. A-6

## 20. Belt Capstan (Fig. A-6-1)/ Motor Capstan (Fig. A-6-2)

- 1) Remove the Belt Capstan.
- 2) Remove the three Screws(S5) on bottom Chassis and lift the Motor Capstan up.

## 21. Lever F/R (Fig. A-6-3)

- 1) Unlock the Locking Tab(L1) as Fig. A-6-3 and lift the Lever F/R up.

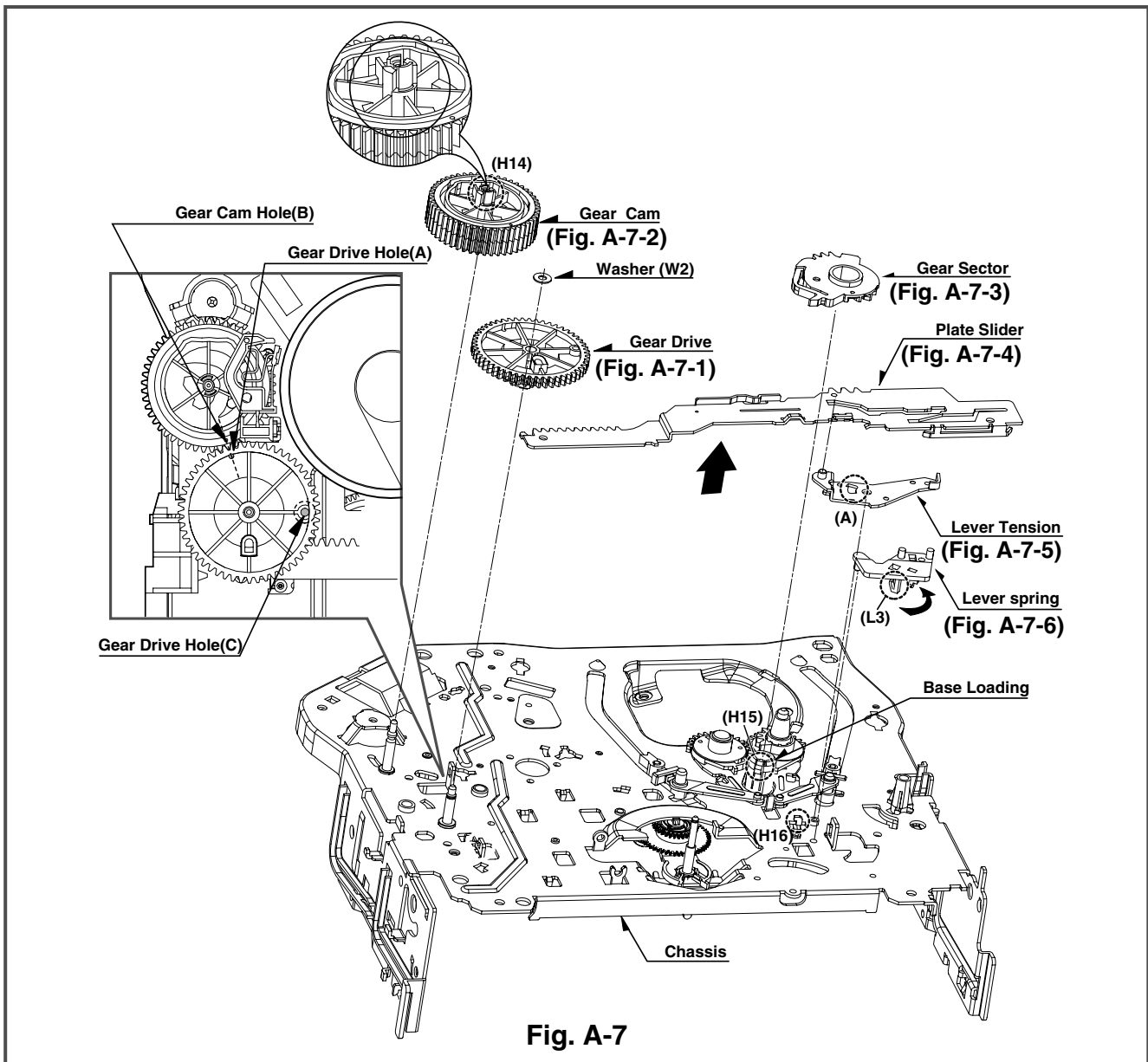
## 22. Clutch Assembly D35 (Fig. A-6-4)

- 1) Remove the Washer(W1) and lift the Clutch Assembly D35 up.

## 23. Brake Assembly Capstan (Fig. A-6-5)

- 1) Pull the Locking Tab(L2) back in direction of arrow and lift it up.

# DECK MECHANISM DISASSEMBLY



**Fig. A-7**

## 24. Gear Drive (Fig. A-7-1)/ Gear Cam (Fig. A-7-2)

- 1) Remove the Washer(W2) and lift the Gear Drive up.
- 2) Unhook the Hook(H14) of the Gear Cam and lift the Gear Cam up.

### NOTE

When reassembling, align the Gear Drive Hole(A) and the Gear Cam Hole(B) in a straight line after the Gear Drive Hole(C) is aligned with the Chassis Hole as Fig.

## 25. Gear Sector (Fig. A-7-3)

- 1) Unhook the Hook(H15) of the Base Loading on bottom Chassis and lift the Gear Sector up.

## 26. Plate Slider (Fig. A-7-4)

- 1) Just lift the Plate Slider up.

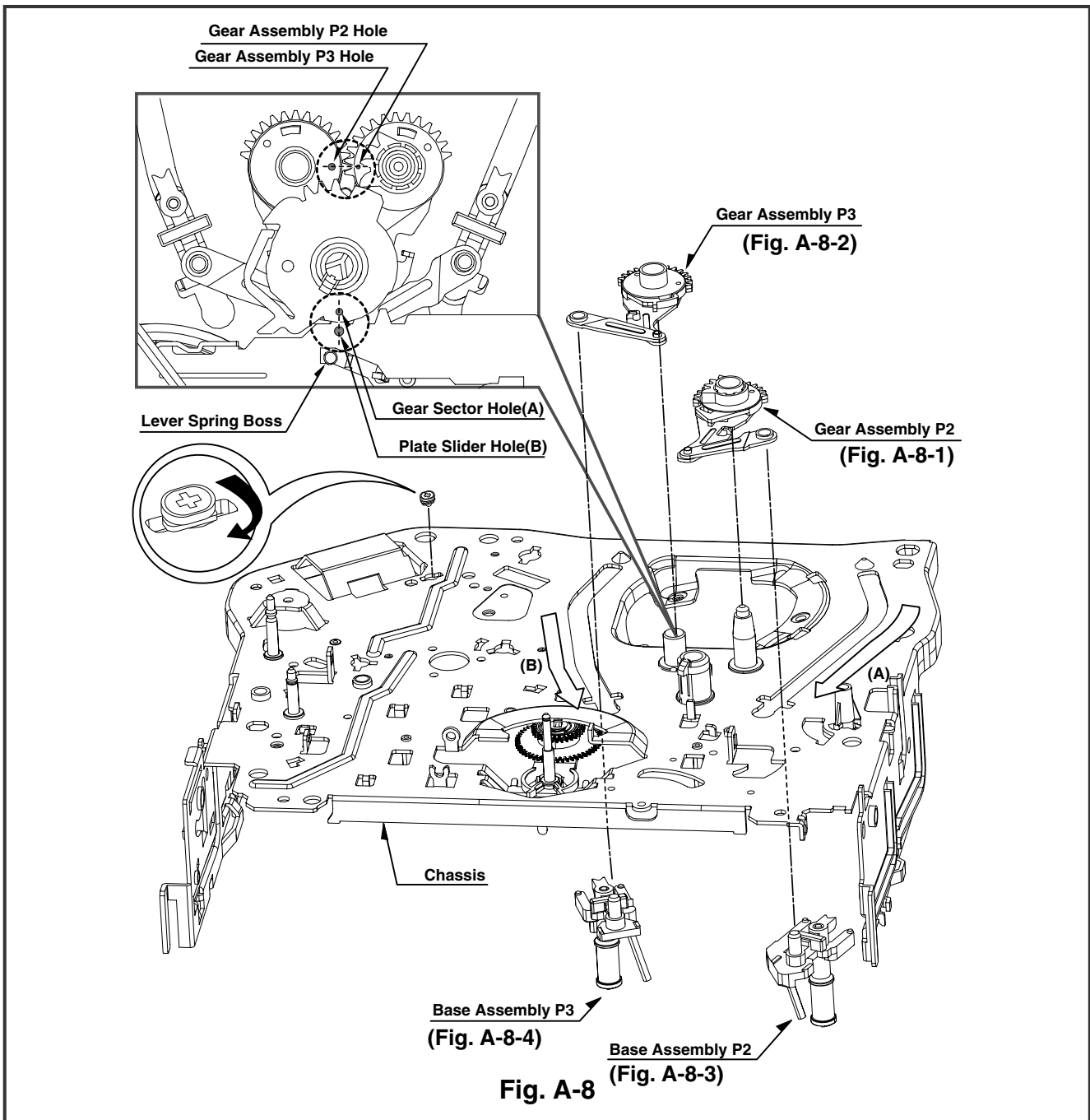
## 27. Lever Tension (Fig. A-7-5)

- 1) Unhook the (A) portion of the Lever Tension from the Hook(H16) of the Chassis.
- 2) Turn the Lever Tension to counterclockwise direction and lift it up.

## 28. Lever Spring (Fig. A-7-6)

- 1) Unlock the Locking Tab(L3) of the bottom Chassis and lift the Lever Spring up.

# DECK MECHANISM DISASSEMBLY



**Fig. A-8**

## 29. Gear Assembly P2 (Fig. A-8-1)/ Gear Assembly P3 (Fig. A-8-2)

- 1) Just lift the Gear Assembly P2 up.
- 2) Just lift the Gear Assembly P3 up.

### NOTE

When reassembling, align the two holes of the Gear Assembly P2 and P3 in a straight line after confirmation whether the Gear Sector Hole(A) and the Plate Slider Hole(B) are aligned or not as Fig.

## 30. Base Assembly P2 (Fig. A-8-3)/ Base Assembly P3 (Fig. A-8-4)

- 1) Move the Base Assembly P2 in direction of arrow(A) along the guide hole of the Chassis and disassemble it on bottom side.
- 2) Move the Base Assembly P3 in direction of arrow(B) along the guide hole of the Chassis and disassemble it on bottom side.

# DECK MECHANISM DISASSEMBLY

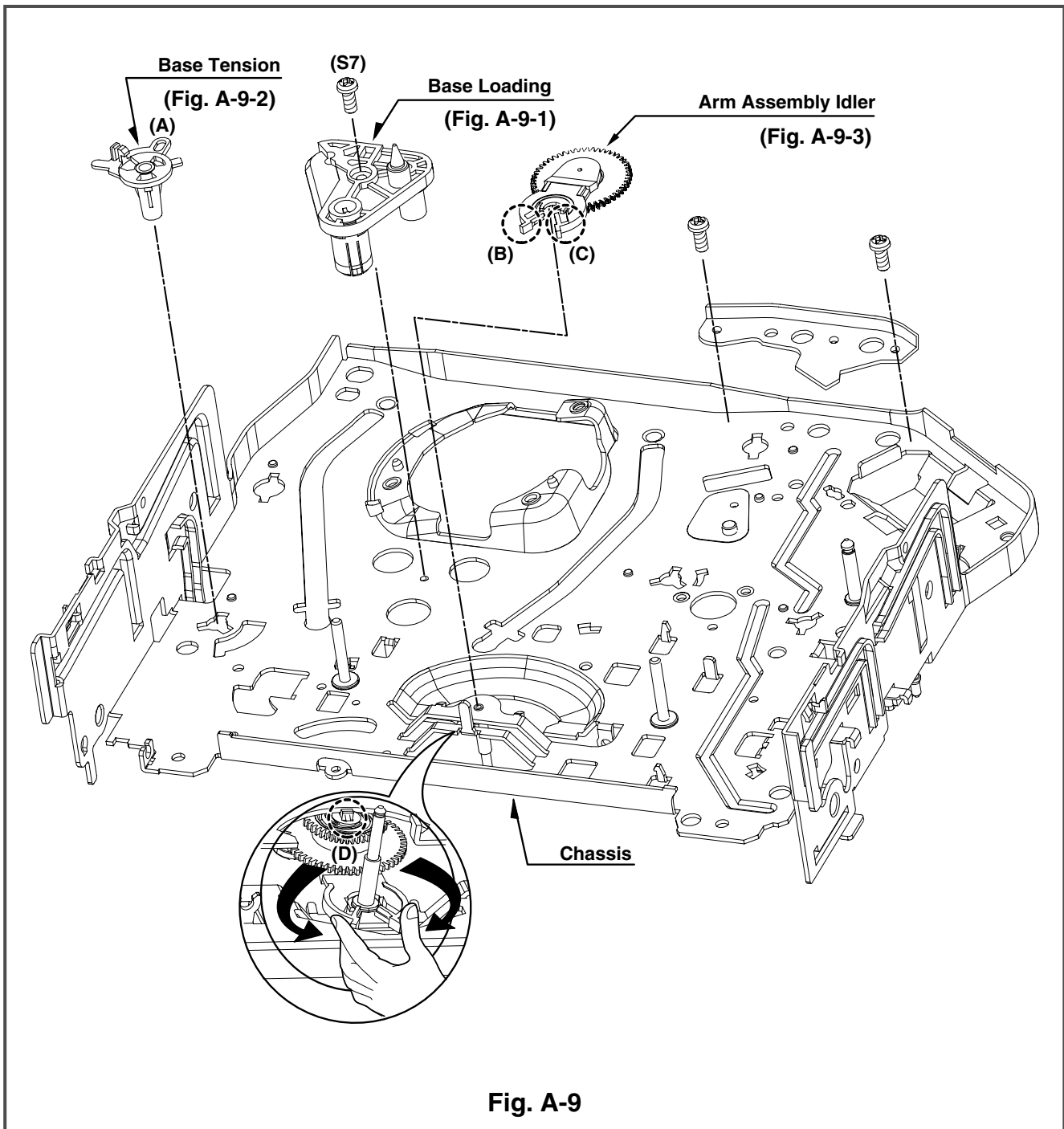


Fig. A-9

## 31. Base Loading (Fig. A-9-1)

- 1) Remove the Screw(S7).
- 2) Lift the Base Loading up.

## 32. Base Tension (Fig. A-9-2)

- 1) Breakaway the (A) portion of the Base Tension from the embossing of the Chassis.
- 2) Turn the Base Tension to counterclockwise direction and lift it up.

## 33. Arm Assembly Idler (Fig. A-9-3)

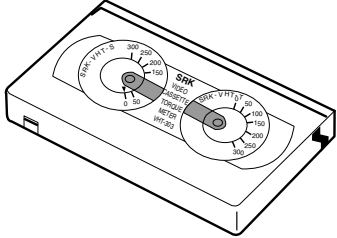
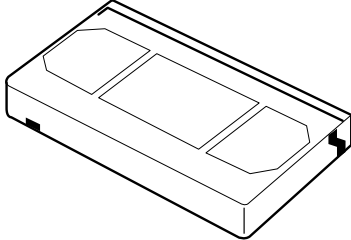
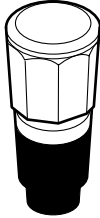
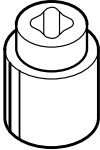
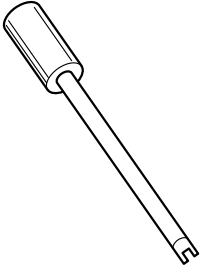
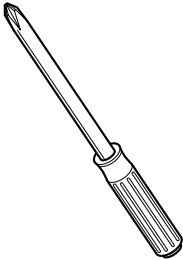
- 1) Make narrower the two parts, (B) and (C), as Fig. A-9-3.
- 2) Lift the Arm assembly Idler up.

## NOTE

When disassembling, be careful not to be caught the (D) part by the Chassis as Fig.

# DECK MECHANISM ADJUSTMENT

## • Tools and Fixfures for Service

<p><b>1. Cassette Torque Meter</b> SRK-VHT-303(Not SVC part) Parts No: D00-D006</p> 	<p><b>2. Alignment Tape</b> Parts No NTSC: DTN-001 PAL:DTN-002</p> 	<p><b>3. Torque Gauge</b> 600g.Cm ATG Parts No:D00-D002</p> 
<p><b>4. Torque Gauge Adaptor</b> Parts No:D09-R001</p> 	<p><b>5. Post Height Adjusting Driver</b> Parts No:DTL-0005</p> 	<p><b>6. + Type Driver (ø 5)</b></p> 

# DECK MECHANISM ADJUSTMENT

## 1. Mechanism Alignment Position Check

**Purpose:**To determine if the Mechanism is in the correct position, when a Tape is ejected.

Test Equipment/ Fixture	Test Conditions (Mechanism Condition)	Check Point
• Blank tape	• Eject Mode (with Cassette ejected)	• Mechanism and Mode Switch Position

- Turn the Power S/W on and eject the Cassette by pressing the Eject Button.
- Remove the Top Cover and Plate Assembly Top, visually check if the Gear Cam Hole is aligned with the Chassis Hole as below Fig. C-2.
- IF not, rotate the Shaft of the Loading Motor to either clockwise or counterclockwise until the alignment is as below Fig. C-2.
- Remove the Screw which fixes the Deck Mechanism and Main Frame and confirm if the Gear Cam is aligned with the Gear Drive as below Fig. C-1(A).
- Confirm if the Mode S/W on the Main P.C.Board is aligned as below Fig. C-1(B).
- Remount the Deck Mechanism on the Main P.C.Board and check each operation.

### CHECK DIAGRAM

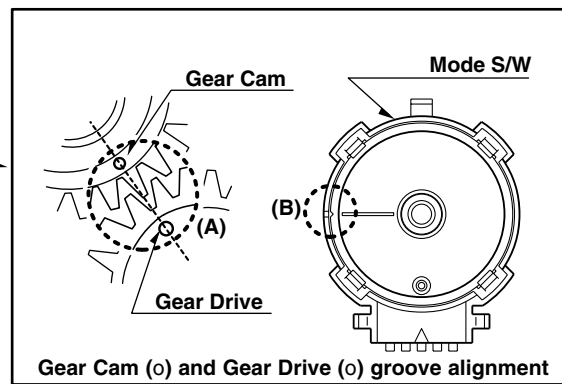
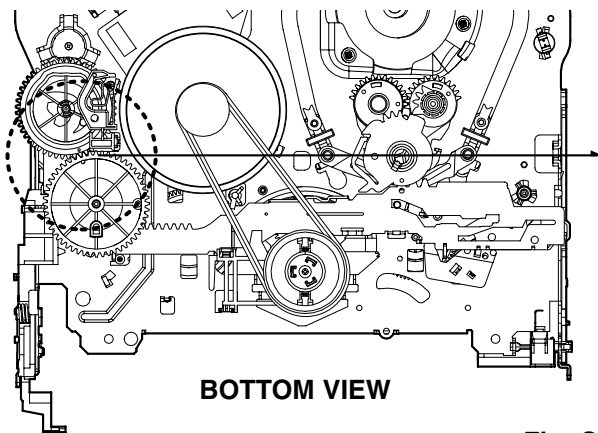


Fig. C-1

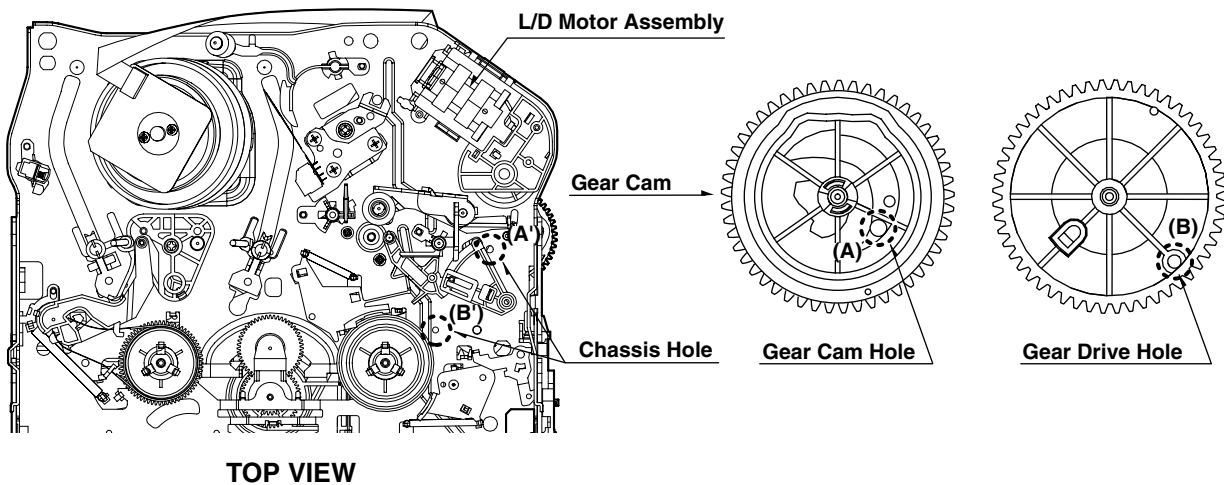


Fig. C-2

# DECK MECHANISM ADJUSTMENT

## 2. Preparation for Adjustment (To set the Deck Mechanism of the loading state without inserting a cassette tape).

- 1) Unplug the power cord from the AC outlet.
- 2) Disassemble the Top Cover and Plate Assembly Top.
- 3) Plug the power cord into the AC outlet.
- 4) Turn the power S/W on and push the Lever Stopper of the Holder Assembly CST to the back for loading the

cassette without tape.

Cover the holes of the End Sensors at the both sides of the Chassis to prevent a light leak.

Then the Deck Mechanism drives to the Stop Mode. In this case, the Deck Mechanism can accept inputs of each mode, however the Rewind and Review operation can not be performed for more than a few seconds because the Take-up Reel Table is in the Stop State and can not be detected the Reel Pulses.

## 3. Checking Torque

**Purpose: To insure smooth transport of the tape during each mode of operation.**

**If the tape transport is abnormal, then check the torque as indicated by the chart below.**

Test Equipment/ Fixture	Test Conditions (Mechanism Condition)	Checking Method		
<ul style="list-style-type: none"> <li>• Torque Gauge(600g/cm ATG)</li> <li>• Torque Gauge Adaptor</li> <li>• Cassette Torque Meter SRK-VHT-303</li> </ul>	<ul style="list-style-type: none"> <li>• Play (FF) or Review (REW) Mode</li> </ul>	<ul style="list-style-type: none"> <li>• Perform each Deck Mechanism mode without inserting a cassette tape(Refer to above No.2 Preparation for Adjustment).</li> <li>• Read the measurement of the Take-up or Supply Reels on the Cassette Torque Meter(Fig. C-3-2).</li> <li>• Attach the Torque Gauge Adaptor to the Torque Gauge and then read the value of it(Fig. C-3-1).</li> </ul>		
Item	Mode	Test Equipment	Measurement Reel	Measurement Values
Fast Forward Torque	Fast Forward	Cassette Torque Gauge	Take-Up Reel	More than 400g/cm
Rewind Torque	Rewind	Cassette Torque Gauge	Supply Reel	More than 400g/cm
Play Take-Up Torque	Play	Cassette Torque Meter	Take-Up Reel	40~100g/cm
Review Torque	Review	Cassette Torque Meter	Supply Reel	120~210g/cm

### NOTE:

The values are measured by using a Torque Gauge and Torque Gauge Adaptor with the Torque Gauge affixed.

#### • Torque Gauge (600g.cm ATG)

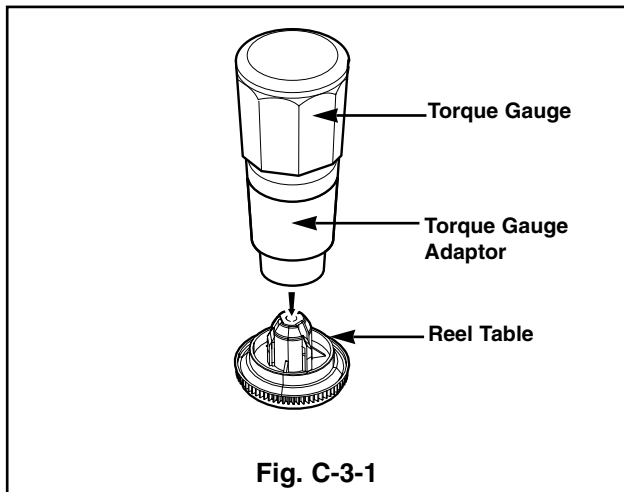


Fig. C-3-1

### NOTE:

The torque reading to measure occurs when the tape abruptly changes direction from Fast Forward to Rewind Mode, when quick braking is applied to both Reels.

#### • Cassette Torque Meter (SRK-VHT-303)

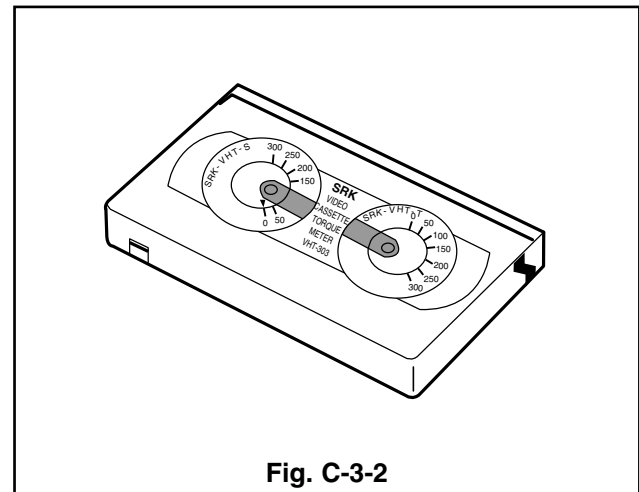


Fig. C-3-2

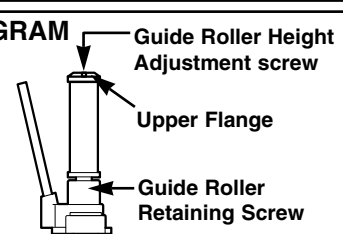


# DECK MECHANISM ADJUSTMENT

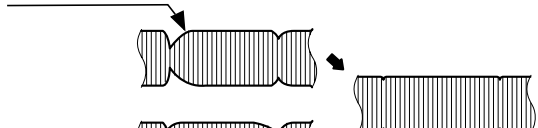
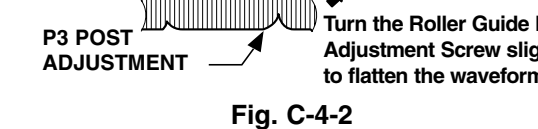
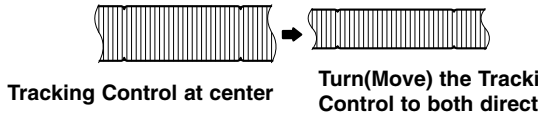
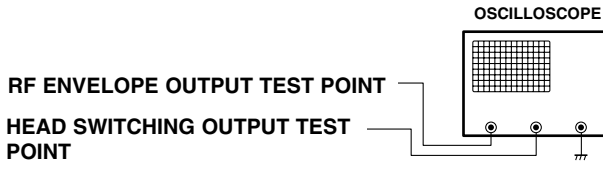
## 4. Guide Roller Height Adjustment

**Purpose: To regulate the height of the tape so that the bottom of the tape runs along the tape guide line on the Lower Drum.**

### 4-1. Preliminary Adjustment

Test Equipment/ Fixture	Test Conditions (Mechanism Condition)	Adjustment Point
<ul style="list-style-type: none"> <li>• Post Height Adjusting Driver</li> </ul>	<ul style="list-style-type: none"> <li>• Play or Review Mode</li> </ul>	<ul style="list-style-type: none"> <li>• Guide Roller Height Adjustment screws on the Supply and Take-Up Guide Rollers.</li> </ul>
<p><b>Adjustment Procedure</b></p> <ol style="list-style-type: none"> <li>1) Confirm if the tape runs along the tape guide line of the Lower Drum.</li> <li>2) If the tape runs the bottom of the guide line, turn the Guide Roller Height Adjustment Screw to clockwise direction.</li> <li>3) If it runs the top, turn to counterclockwise direction.</li> <li>4) Adjust the height of the Guide Roller to be guided to the guide line of the Lower Drum from the starting and ending point of the Drum.</li> </ol>		<p><b>ADJUSTMENT DIAGRAM</b></p>  <p><b>Fig. C-4-1</b></p>

### 4-2. Precise Adjustment

Test Equipment/Fixture	Test Equipment Connection Points	Test Conditions VCR(VCP) State	Adjustment Point
<ul style="list-style-type: none"> <li>• Oscilloscope</li> <li>• Alignment Tape</li> <li>• Post Height Adjusting Driver</li> </ul>	<ul style="list-style-type: none"> <li>• CH-1:PB RF Envelope</li> <li>• CH-2:NTSC: SW 30Hz PAL: SW 25Hz</li> <li>• Head Switching Output Point</li> <li>• RF Envelope Output Point</li> </ul>	<ul style="list-style-type: none"> <li>• Play an Alignment Tape</li> </ul>	<ul style="list-style-type: none"> <li>• Guide Roller Height Adjustment Screws</li> </ul>
<p><b>Adjustment Procedure</b></p> <ol style="list-style-type: none"> <li>1) Play an Alignment Tape after connecting the probe of the Oscilloscope to the RF Envelope Output Test Point and Head Switching Output Test Point.</li> <li>2) Tracking Control(in PB Mode) : Center Position(When this adjustment is performed after the Drum Assembly has been replaced, set the Tracking Control so that the RF Output is Maximum).</li> <li>3) Height Adjustment Screw : Flatten the RF waveform. (Fig. C-4-2)</li> <li>4) Turn(Move) the Tracking Control(in PB Mode) clockwise and counterclockwise.(Fig. C-4-3)</li> <li>5) Check that any drop of RF Output is uniform at the start and end of the waveform.</li> </ol>		<p><b>Waveform Diagrams</b></p> <p><b>P2 POST ADJUSTMENT</b></p>  <p><b>P3 POST ADJUSTMENT</b></p>  <p><b>Fig. C-4-2</b></p> <p>Turn the Roller Guide Height Adjustment Screw slightly to flatten the waveform.</p> <p><b>Tracking Control at center</b></p>  <p><b>Fig. C-4-3</b></p> <p>Turn(Move) the Tracking Control to both directions</p> <p><b>Connection Diagram</b></p> 	
<p><b>NOTE</b></p> <p>If the adjustment is excessive or insufficient the tape will jam or fold.</p>			

# DECK MECHANISM ADJUSTMENT

## 5. Audio/Control (A/C) Head Adjustment

**Purpose: To insure that the tape passes accurately over the Audio and Control Tracks in exact alignment of the both Record and Playback Modes.**

### 5-1. Preliminary Adjustment (Height and Tilt Adjustment)

Perform the Preliminary Adjustment, when there is no Audio Output Signal with the Alignment Tape.

Test Equipment/ Fixture	Test Conditions (Mechanism Condition)	Adjustment Point
<ul style="list-style-type: none"> <li>• Blank Tape</li> <li>• Screw Driver(+) Type 5mm</li> </ul>	<ul style="list-style-type: none"> <li>• Play the blank tape</li> </ul>	<ul style="list-style-type: none"> <li>• Tilt Adjustment Screw(C)</li> <li>• Height Adjustment Screw(B)</li> <li>• Azimuth Adjustment Screw(A)</li> </ul>

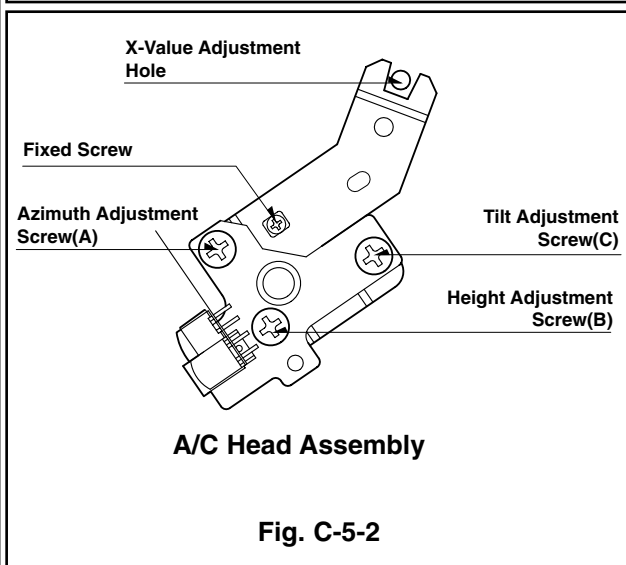
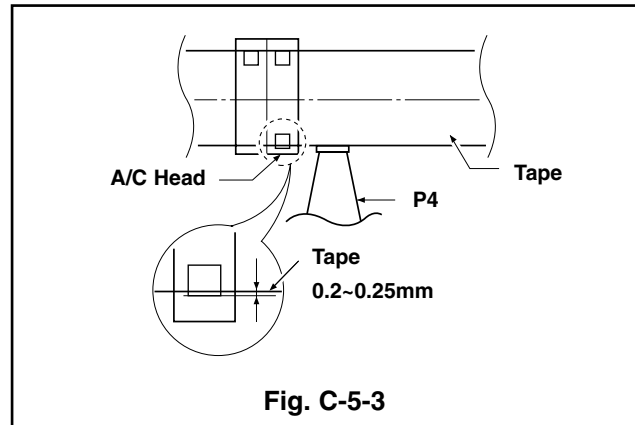
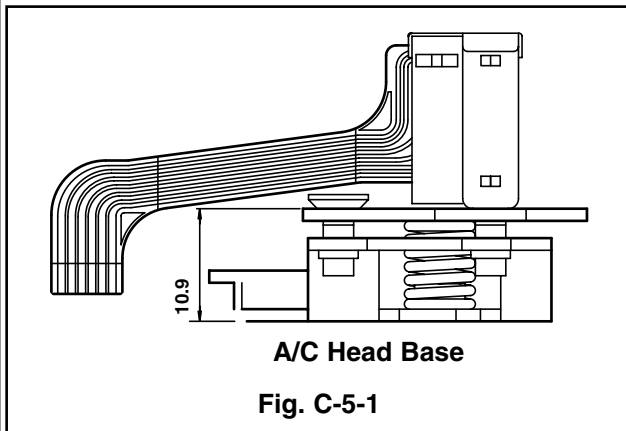
#### Adjustment Procedure/Diagrams

- 1) Initially adjust the Base Assembly A/C Head as shown Fig. C-5-1 by using the Height Adjustment Screw(B).
- 2) Play a blank tape and observe if the tape passes accurately over the A/C Head without tape curling or folding.
- 3) If folding or curling is occurred then adjust the Tilt Adjustment Screw(C) while the tape is running to resemble Fig. C-5-3.

- 4) Reconfirm the tape path after Playback about 4~5 seconds.

#### NOTE

Ideal A/C head height occurs when the tape runs between 0.2~0.25mm above the bottom edge of the A/C Head core.



# DECK MECHANISM ADJUSTMENT

## 5-2. Confirm that the tape passes smoothly between the Take-up Guide and Pinch Roller(using a mirror or the naked eye).

- 1) After completing Step 5-1.(Preliminary Adjustment), check that the tape passes around the Take-up Guide and Pinch Roller without folding or curling at the top or bottom.
  - (1) If folding or curling is observed at the bottom of the Take-up Guide then slowly turn the Tilt Adjustment Screw(C) in the clockwise direction.

- (2) If folding or curling is observed at the top of it then slowly turn the Tilt Adjustment Screw(C) in the counterclockwise direction.

### NOTE:

Check the RF envelope after adjusting the A/C Head, if the RF waveform differs from Fig. C-5-4, performs Precise Adjustment to flat the RF waveform.

## 5-3. Precise Adjustment (Azimuth adjustment)

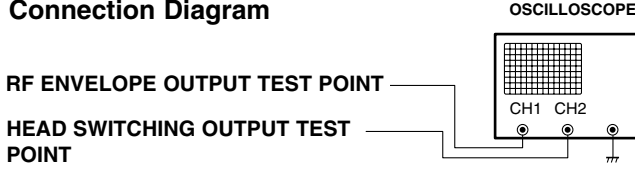
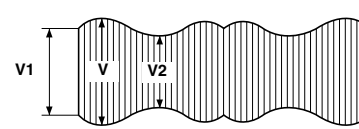
Test Equipment/ Fixture	Connection Point	Test Conditions (Mechanism Condition)	Adjustment Point
<ul style="list-style-type: none"> <li>• Oscilloscope</li> <li>• Alignment Tape(SP)</li> <li>• Screw Driver(+) Type 5mm</li> </ul>	<ul style="list-style-type: none"> <li>• Audio output jack</li> </ul>	<ul style="list-style-type: none"> <li>• Play an Alignment Tape 1KHz, 7KHz Sections</li> </ul>	<ul style="list-style-type: none"> <li>• Azimuth Adjustment Screw(A)</li> <li>• Height Adjustment Screw(B)</li> </ul>
<b>Adjustment Procedure</b> <ol style="list-style-type: none"> <li>1) Connect the probe of the oscilloscope to Audio Output Jack.</li> <li>2) Alternately adjust the Azimuth Adjustment Screw(A) and the Tilt Adjustment Screw(C) for maximum output of the 1KHz and 7KHz segments, while maintaining the flattest envelope differential between the two frequencies.</li> </ol>			

## 6. X-Value Adjustment

Purpose: To obtain compatibility with the other VCR(VCP) Models.			
Test Equipment/ Fixture	Connection Point	Test Conditions (Mechanism Condition)	Adjustment Point
<ul style="list-style-type: none"> <li>• Oscilloscope</li> <li>• Alignment Tape(SP only)</li> <li>• Screw Driver(+) Type 5mm</li> </ul>	<ul style="list-style-type: none"> <li>• CH-1: PB RF Envelope</li> <li>• CH-2: NTSC: SW 30Hz PAL: SW 25Hz</li> <li>• Head Switching Output Test Point</li> <li>• RF Envelope Output Test Point</li> </ul>	<ul style="list-style-type: none"> <li>• Play an Alignment Tape</li> </ul>	
<b>Adjustment Procedure</b> <ol style="list-style-type: none"> <li>1) Release the Automatic Tracking to run long enough for tracking to complete it's cycle.</li> <li>2) Loosen the Fixed Mounting Screw and move the Base Assembly A/C Head in the direction as shown in the diagram to find the center of the peak that allows for the maximum waveform envelope. This method should allow the 31µm Head to be centrally located over the 58µm tape track.</li> <li>3) Tighten the Base Assembly A/C Head mounting Screw.</li> </ol>		<b>Adjustment Diagram</b>	
		<b>Connection Diagram</b>	

# DECK MECHANISM ADJUSTMENT

## 7. Adjustment after Replacing Drum Assembly (Video Heads)

<b>Purpose: To correct for shift in the Roller Guide and X value after replacing the Drum.</b>			
Test Equipment/ Fixture	Connection Point	Test Conditions (Mechanism Condition)	Adjustment Points
<ul style="list-style-type: none"> <li>Oscilloscope</li> <li>Alignment Tapes</li> <li>Blank Tape</li> <li>Post Height Adjusting Driver</li> <li>Screw Driver(+) Type 5mm</li> </ul>	<ul style="list-style-type: none"> <li>CH-1: PB RF Envelope</li> <li>CH-2: NTSC: SW 30Hz PAL: SW 25Hz</li> <li>Head Switching Output Test Point</li> <li>RF Envelope Output Test Point</li> </ul>	<ul style="list-style-type: none"> <li>Play the Blank Tape</li> <li>Play an Alignment Tape</li> </ul>	<ul style="list-style-type: none"> <li>Guide Roller Precise Adjustment</li> <li>Switching Point</li> <li>Tracking Preset</li> <li>X-Value</li> </ul>
<b>Checking/Adjustment Procedure</b> Play a blank tape and check for tape curling or creasing around the Roller Guide. If there is a problem then follow the procedure 4. "Guide Roller Height" and 5. "Audio Control(A/C) Head Adjustment".		<b>Connection Diagram</b>  <b>Waveform</b> $V1/V \text{ MAX} \leq 0.7$ $V2/V \text{ MAX} \leq 0.8$ RF ENVELOPE OUTPUT 	
<b>Fig. C-7</b>			

## 8. Check the Tape Travel after Reassembling Deck Assembly.

### 8-1. Checking Audio and RF Locking Time during playback and after CUE or REV (FF/REW)

Test Equipment/ Fixture	Specification	Connection Points	Test Conditions (Mechanism Condition)
<ul style="list-style-type: none"> <li>Oscilloscope</li> <li>Alignment Tapes(with 6H 3KHz Color Bar Signal)</li> <li>Stop Watch</li> </ul>	<ul style="list-style-type: none"> <li>RF Locking Time: Less than 5 sec.</li> <li>Audio Locking Time: Less than 10sec</li> </ul>	<ul style="list-style-type: none"> <li>CH-1: PB RF Envelope</li> <li>CH-2: Audio Output</li> <li>RF Envelope Output Point</li> <li>Audio Output Jack</li> </ul>	<ul style="list-style-type: none"> <li>Play an Alignment Tape (with 6H 3kHz Color Bar Signal)</li> </ul>
<b>Checking Procedure</b> Play an Alignment Tape then change the operating mode to CUE or REV and confirm if the unit meets the above listed specifications.		<b>NOTES:</b> 1) CUE is the forward search mode 2) REV is the backward search mode 3) Refer to the Play mode	

### 8-2. Checking for tape curling or jamming

Test Equipment/ Fixture	Specification	Test Conditions (Mechanism Condition)
<ul style="list-style-type: none"> <li>T-160 Tape</li> <li>T-120 Tape</li> </ul>	<ul style="list-style-type: none"> <li>Be sure there is no tape jamming or curling at the beginning, middle or end of the tape.</li> </ul>	<ul style="list-style-type: none"> <li>Run the CUE, REV, Play mode at the beginning and the end of the tape.</li> </ul>
<b>Checking Procedure</b> 1) Confirm that the tape runs smoothly around the roller guides, Drum and A/C Head Assemblies while abruptly changing operating modes from Play to CUE or REV. This is to be checked at the beginning, middle and end sections of the tape. 2) Confirm that the tape passes over the A/C Head Assembly as indicated by proper audio reproduction and proper tape counter performance.		

# MAINTENANCE/INSPECTION PROCEDURE

## 1. Check before starting repairs

The following faults can be remedied by cleaning and oiling. Check the needed lubrication and the conditions of cleanliness in the unit.

Check with the customer to find out how often the unit is used, and then determine that the unit is ready for inspection and maintenance. Check the following parts.

Phenomenon	Inspection	Replacement
Color beats	Dirt on Full-Erase Head	o
Poor S/N, no color	Dirt on Video Head	o
Vertical or Horizontal jitter	Dirt on Video Head Dirt on tape transport system	o
Low volume, Sound distorted	Dirt on Audio/Control Head	o
Tape does not run. Tape is slack	Dirt on Pinch Roller	o
In Review and Unloading (off mode), the tape is rolled up loosely.	Clutch Assembly D35 torque reduced	o
	Cleaning Drum and transport system	Fig. C-9-3

F/E Head

Video Head

A/C Head

Pinch Roller

Belt Capstan

Clutch Assembly D35

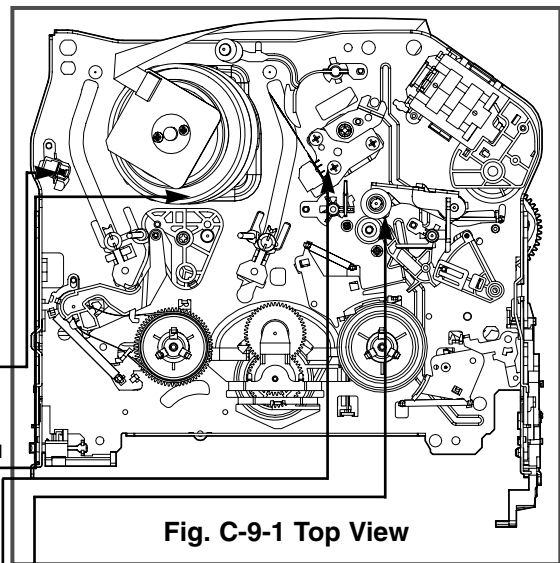


Fig. C-9-1 Top View

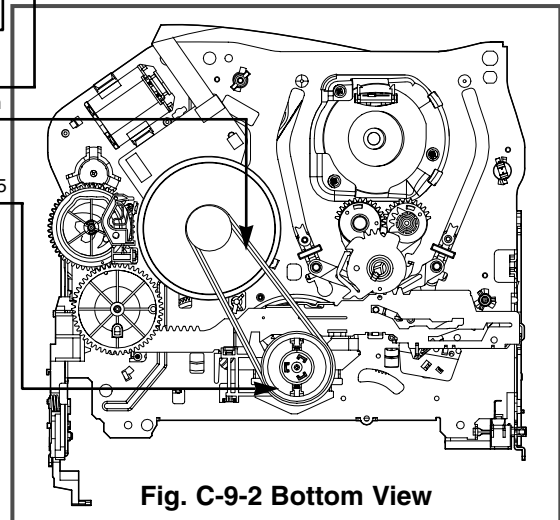


Fig. C-9-2 Bottom View

### NOTE

If locations marked with **o** do not operate normally after cleaning, check for wear and replace.

See the EXPLODED VIEWS at the end of this manual as well as the above illustrations and see the Greasing (Page 4-21, 22) for the sections to be lubricated and greased.

\* No. (1)~(12) Indicates the Tape Path to be traveled from Supply Reel to Take-up Reel.

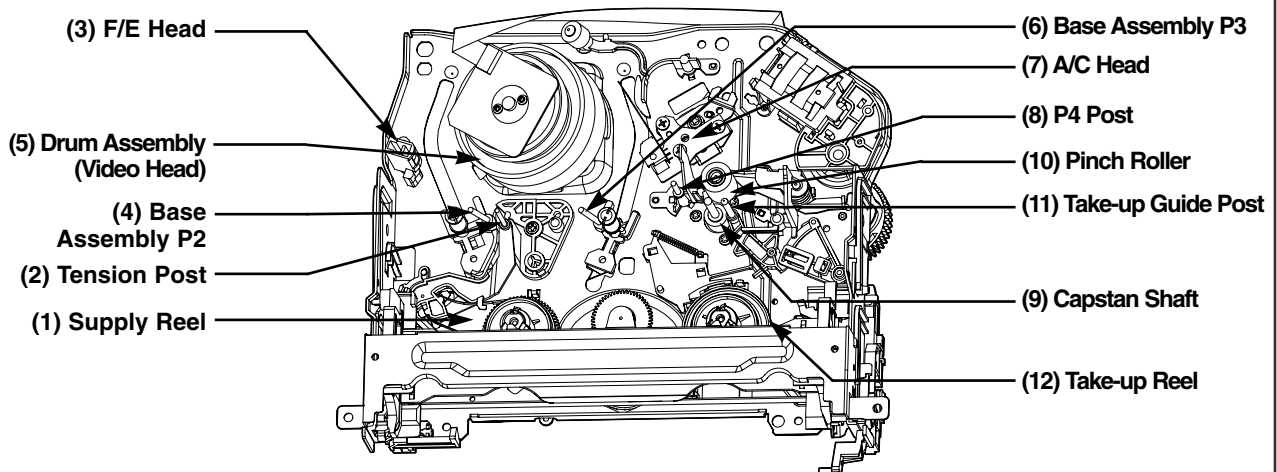


Fig. C-9-3 Tape Transport System

# MAINTENANCE/INSPECTION PROCEDURE

## 2. Required Maintenance

The recording density of a VCR(VCP) is much higher than that of an audio tape recorder. VCR(VCP) components must be very precise, at tolerances of 1/1000mm, to ensure compatibility with the other VCRs. If any of these components are worn or dirty, the symptoms will be the same as if the part is defective. To ensure a good picture, periodic inspection and maintenance, including replacement of worn out parts and lubrication, is necessary.

## 3. Scheduled Maintenance

Schedules for maintenance and inspection are not fixed because they vary greatly according to the way in which the customer uses the VCR(VCP), and the environment in which the VCR(VCP) is used.

But, in general home use, a good picture will be maintained if inspection and maintenance is made every 1,000 hours. The table below shows the relation between time used and inspection period.

Table 1

When inspection is necessary	About 1 year	About 18 months	About 3 years
Average hours used per day			
One hour	[Bar chart showing inspection interval]		
Two hours	[Bar chart showing inspection interval]		
Three hours	[Bar chart showing inspection interval]		

## 4. Supplies Required for Inspection and Maintenance

- (1) Grease : Kanto G-311G (Blue) or equivalent
- (2) Isopropyl Alcohol or equivalent
- (3) Cleaning Patches
- (4) Grease : Kanto G-381(Yellow)

## 5. Maintenance Procedure

### 5-1) Cleaning

- (1) Cleaning video head

First use a cleaning tape. If the dirt on the head is too stubborn to remove by tape, use the cleaning patch. Coat the cleaning patch with Isopropyl Alcohol. Touch the cleaning patch to the head tip and gently turn the head(rotating cylinder) right and left.

(Do not move the cleaning patch vertically. Make sure that only the buckskin on the cleaning patch comes into contact with the head. Otherwise, the head may be damaged.)

Thoroughly dry the head. Then run the test tape. If Isopropyl Alcohol remains on the video head, the tape may be damaged when it comes into contact with the head surface.

- (2) Clean the tape transport system and drive system, etc, by wiping with a cleaning patch wetted with Isopropyl Alcohol.

### NOTES:

- ① It is the tape transport system which comes into contact with the running tape. The drive system consists of those parts which moves the tape.
- ② Make sure that during cleaning you do not touch the tape transport system with excessive force that would cause deformation or damage to the system.

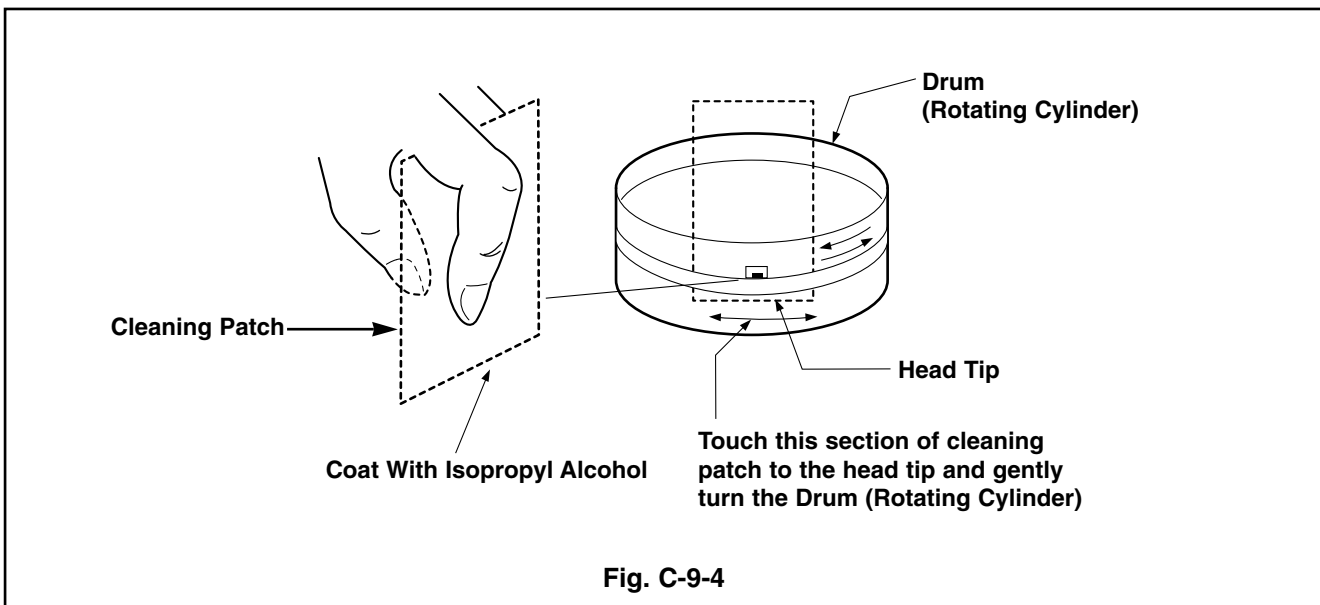


Fig. C-9-4

# MAINTENANCE/INSPECTION PROCEDURE

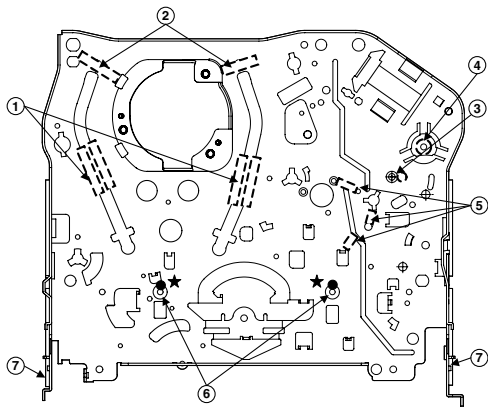
## 5-2) Greasing

### (1) Greasing guidelines

Apply grease, with a cleaning patch. Do not use excess grease. It may come into contact with the tape transport or drive system. Wipe excessive grease and clean with cleaning patch wetted in Isopropyl Alcohol.

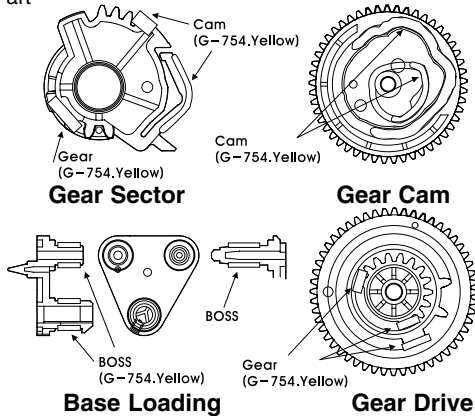
### NOTE:Greasing Points

- |                                   |                                       |
|-----------------------------------|---------------------------------------|
| 1) Loading Path Inside & Top side | 5) Arm Take-up Rubbing Sections       |
| 2) Base Assembly P2, P3 stopper   | 6) Reel S,T shaft(G381:Yellow)        |
| 3) Shaft                          | 7) Arm Assembly F/L Rotating Sections |
| 4) L/D Motor Gear Wheel Part      |                                       |



**Chassis (Top)**

### Gear Part



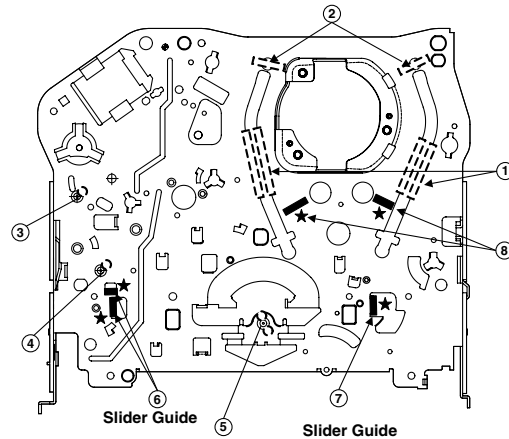
**Chassis (Left Side)**

**Chassis (Right Side)**

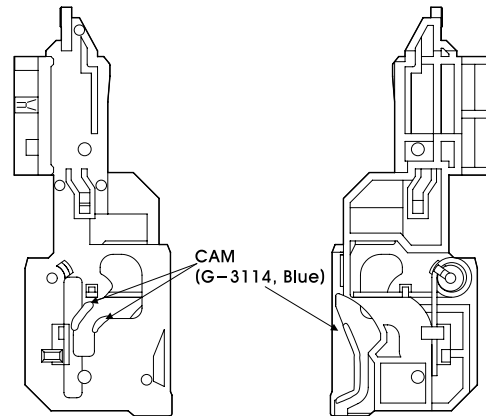
### (2) Periodic greasing

Grease specified locations every 5,000 hours.

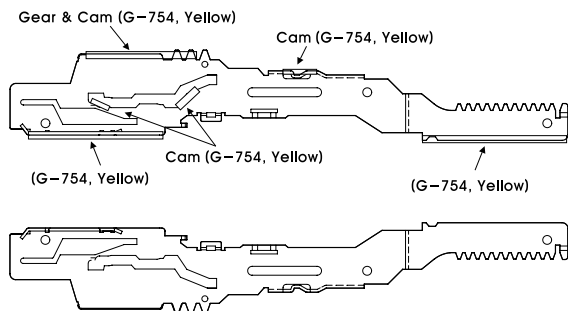
- |                                   |  |
|-----------------------------------|--|
| 1) Loading Path Inside & Top side | 6) Plate Slider Guide Sections           |
| 2) Base Assembly P2,P3 stopper    | 7) Plate Slider Guide Sections           |
| 3) Shaft                          | 8) Gear Assembly P2, P2 Rubbing Sections |
| 4) Shaft                          |  |
| 5) Clutch Assembly D35 Shaft      |  |



**Chassis (Bottom)**



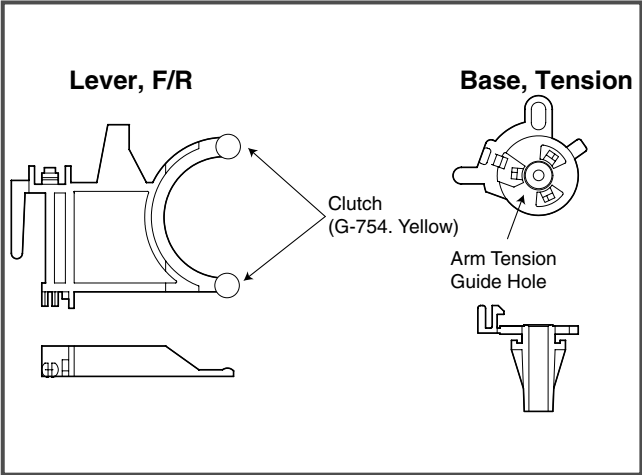
**Gear Rack F/L**



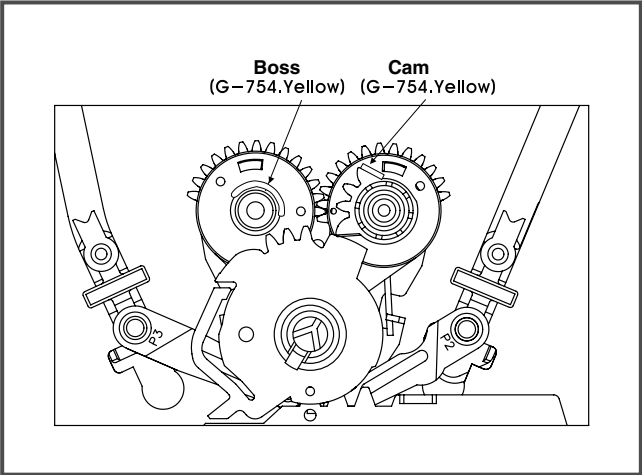
**Plate Slider**

# MAINTENANCE/INSPECTION PROCEDURE

## Lever, F/R, Base, Tension



## GEAR AY, P2 & P3

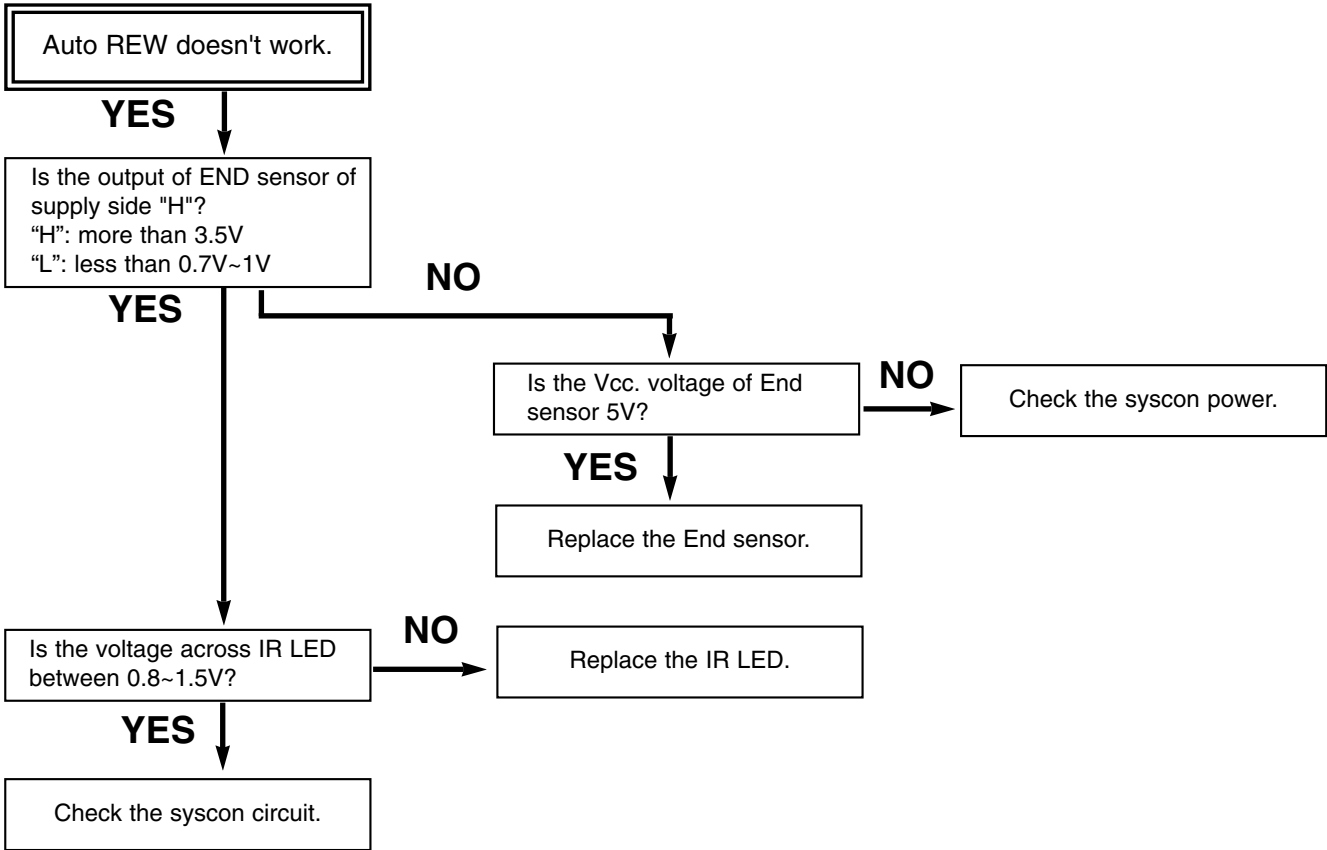




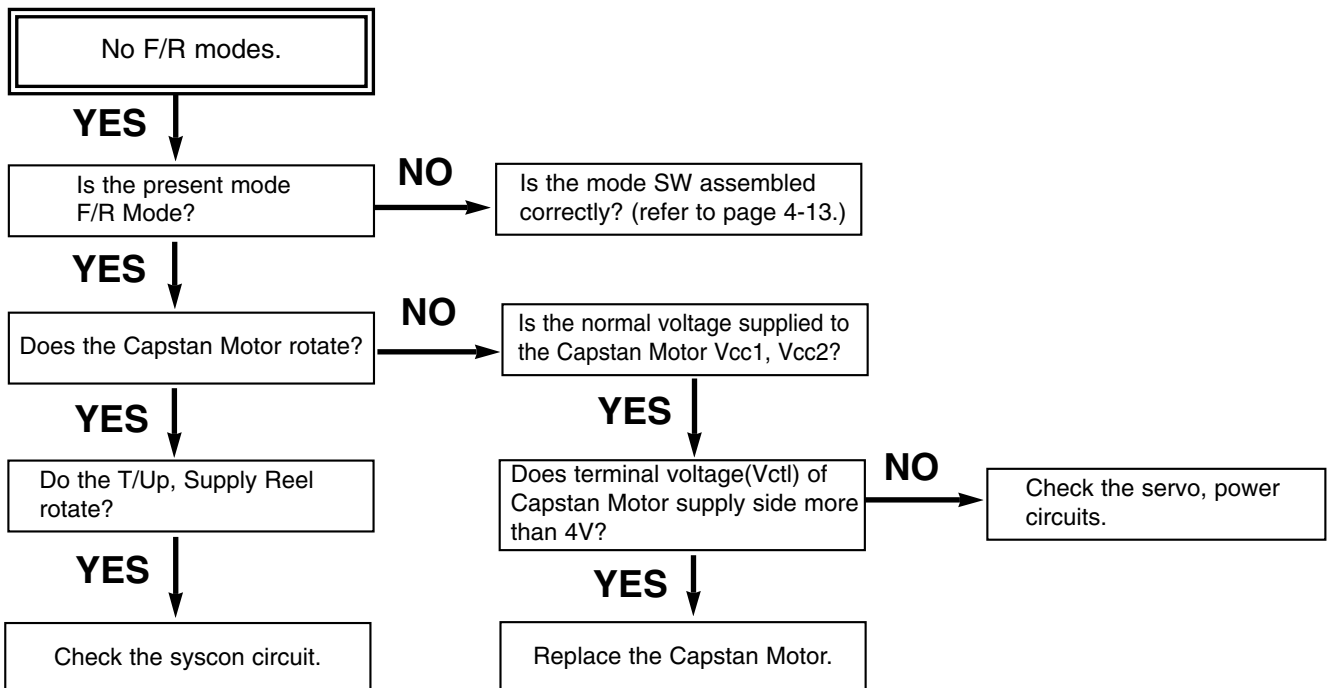
# MECHANISM TROUBLESHOOTING GUIDE

## 1. Deck Mechanism

### A.

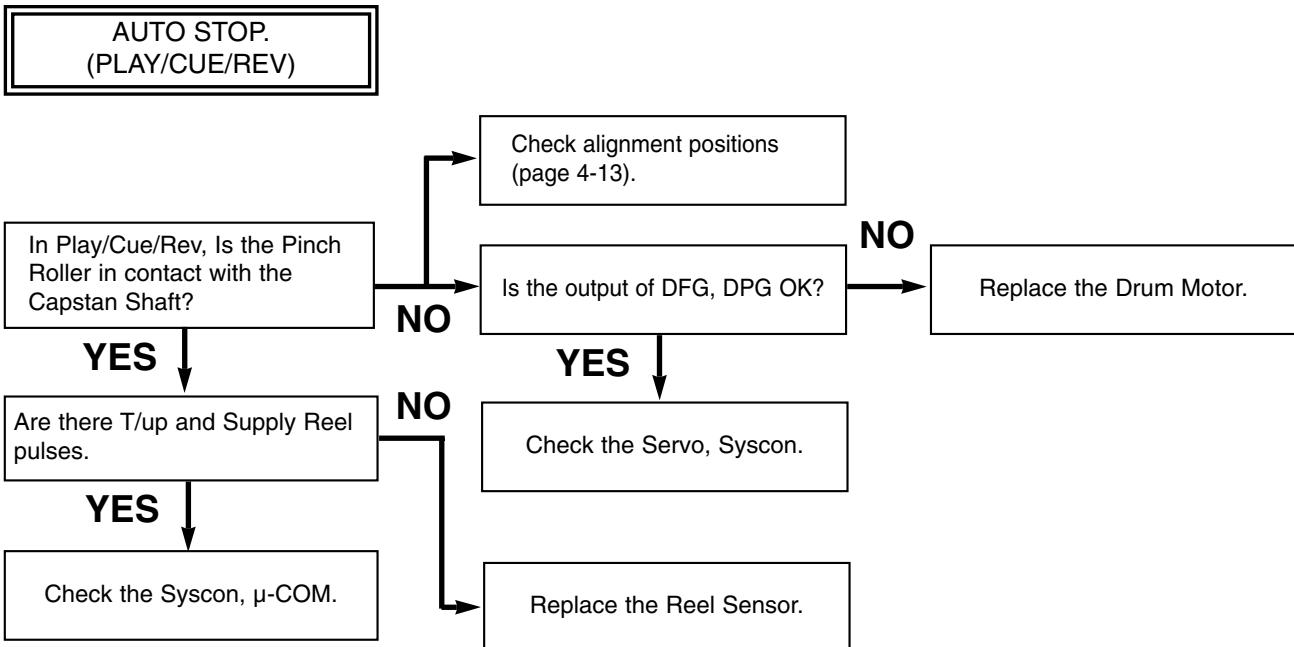


### B.

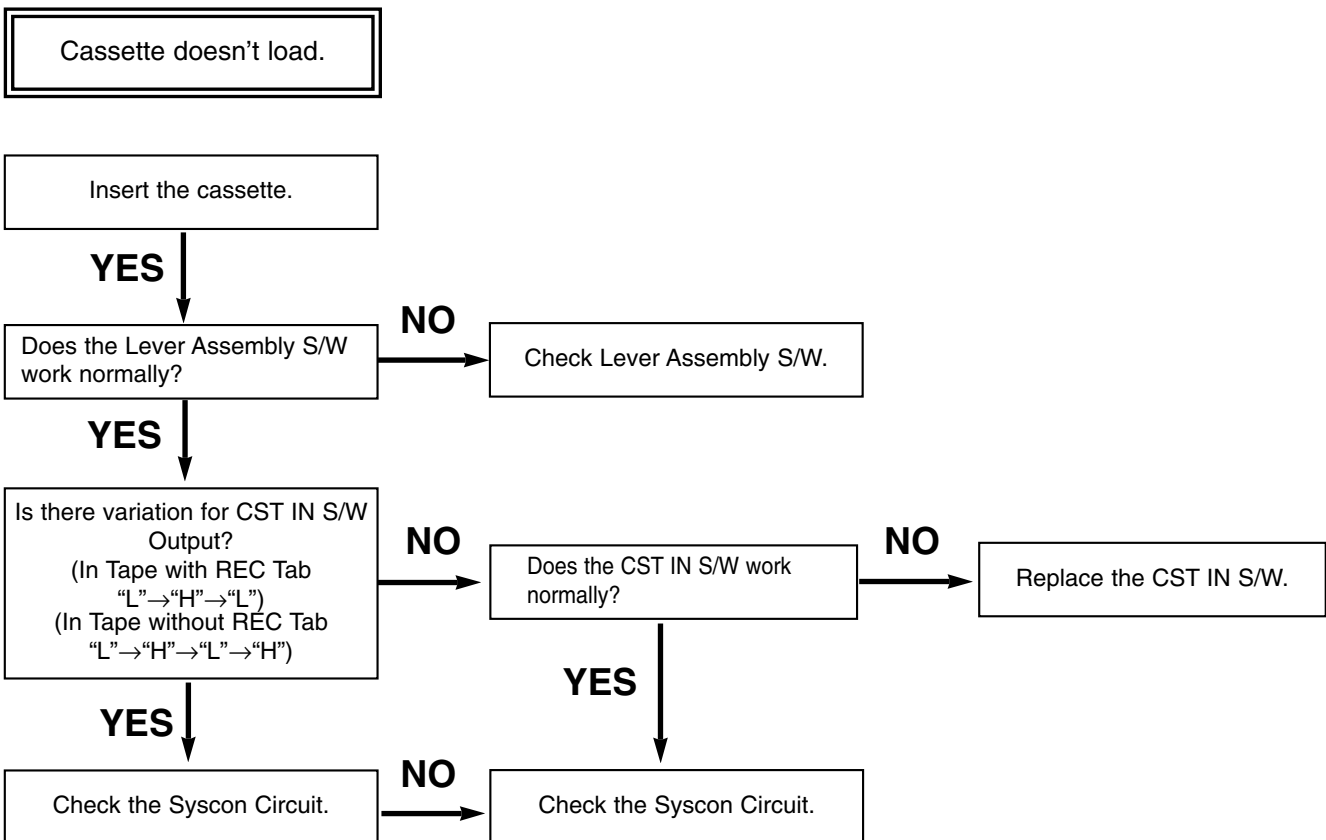


# MECHANISM TROUBLESHOOTING GUIDE

## C.

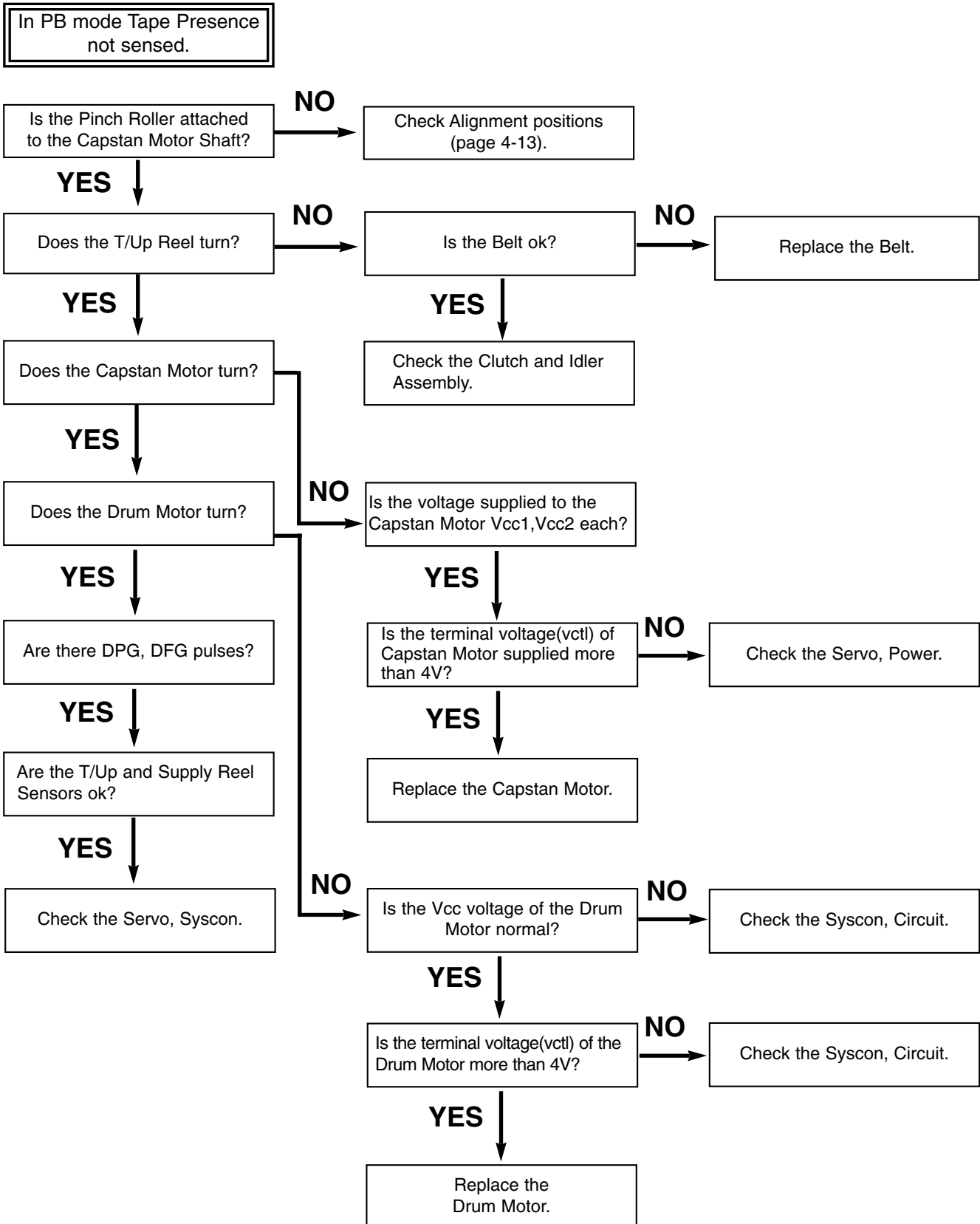


## D.



# MECHANISM TROUBLESHOOTING GUIDE

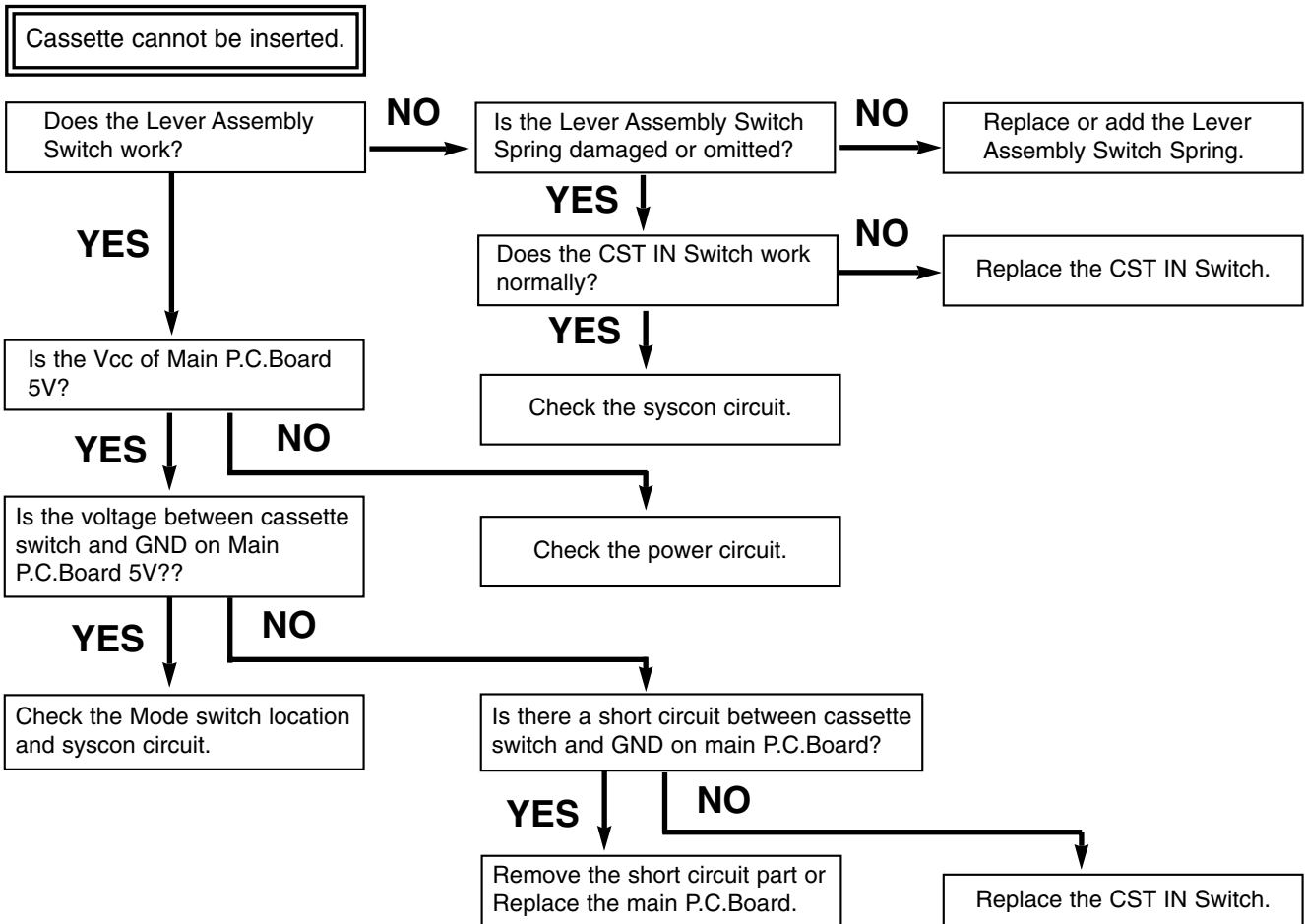
E.



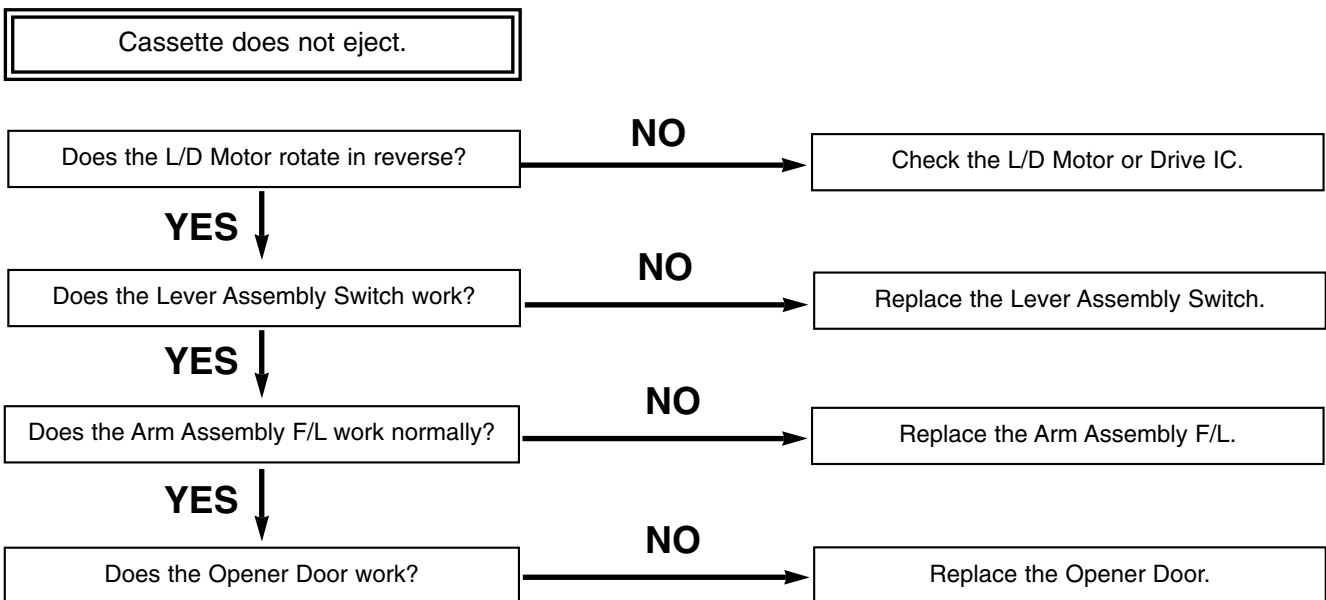
# MECHANISM TROUBLESHOOTING GUIDE

## 2. Front Loading Mechanism

A.



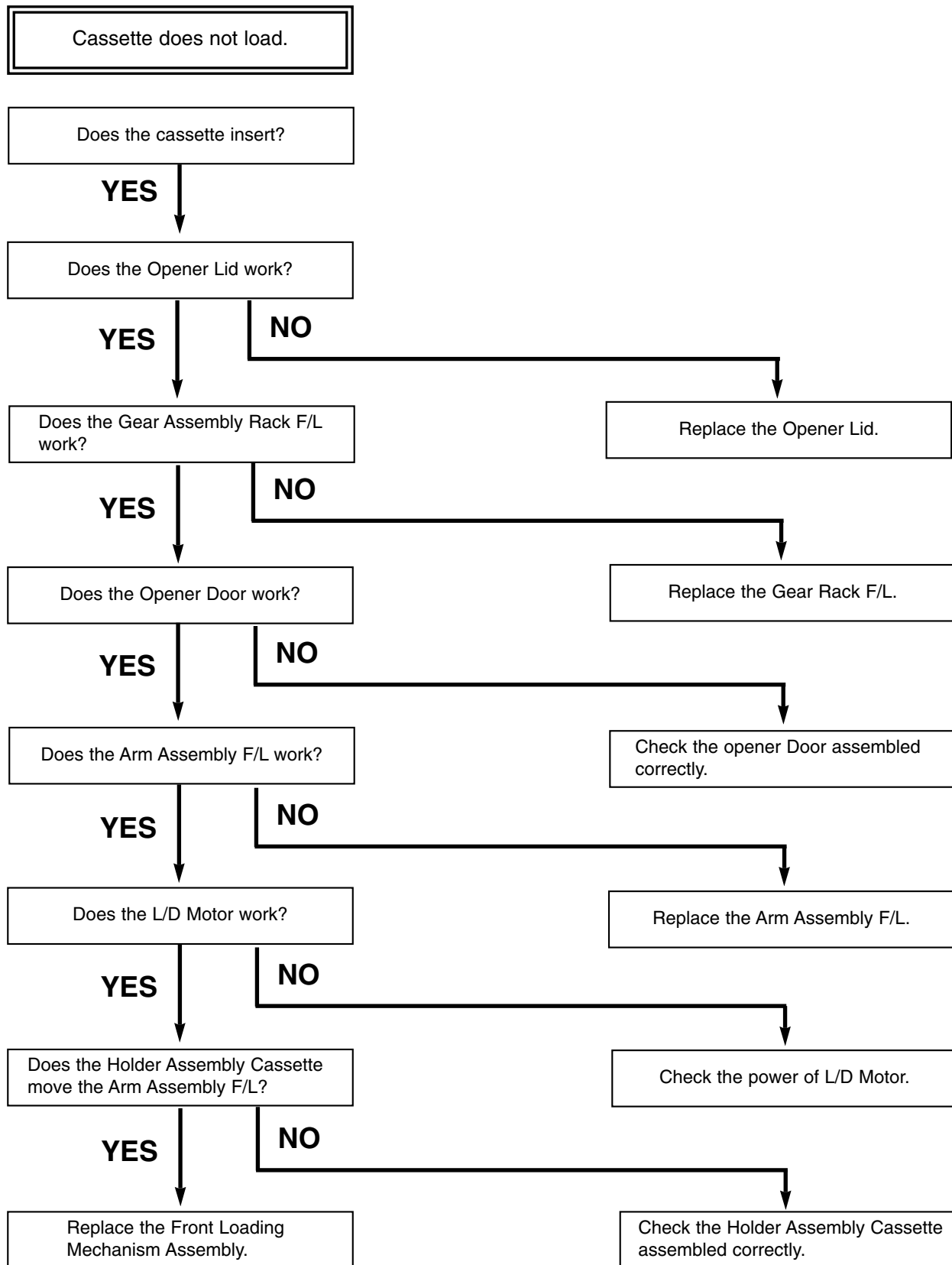
B.



# MECHANISM TROUBLESHOOTING GUIDE

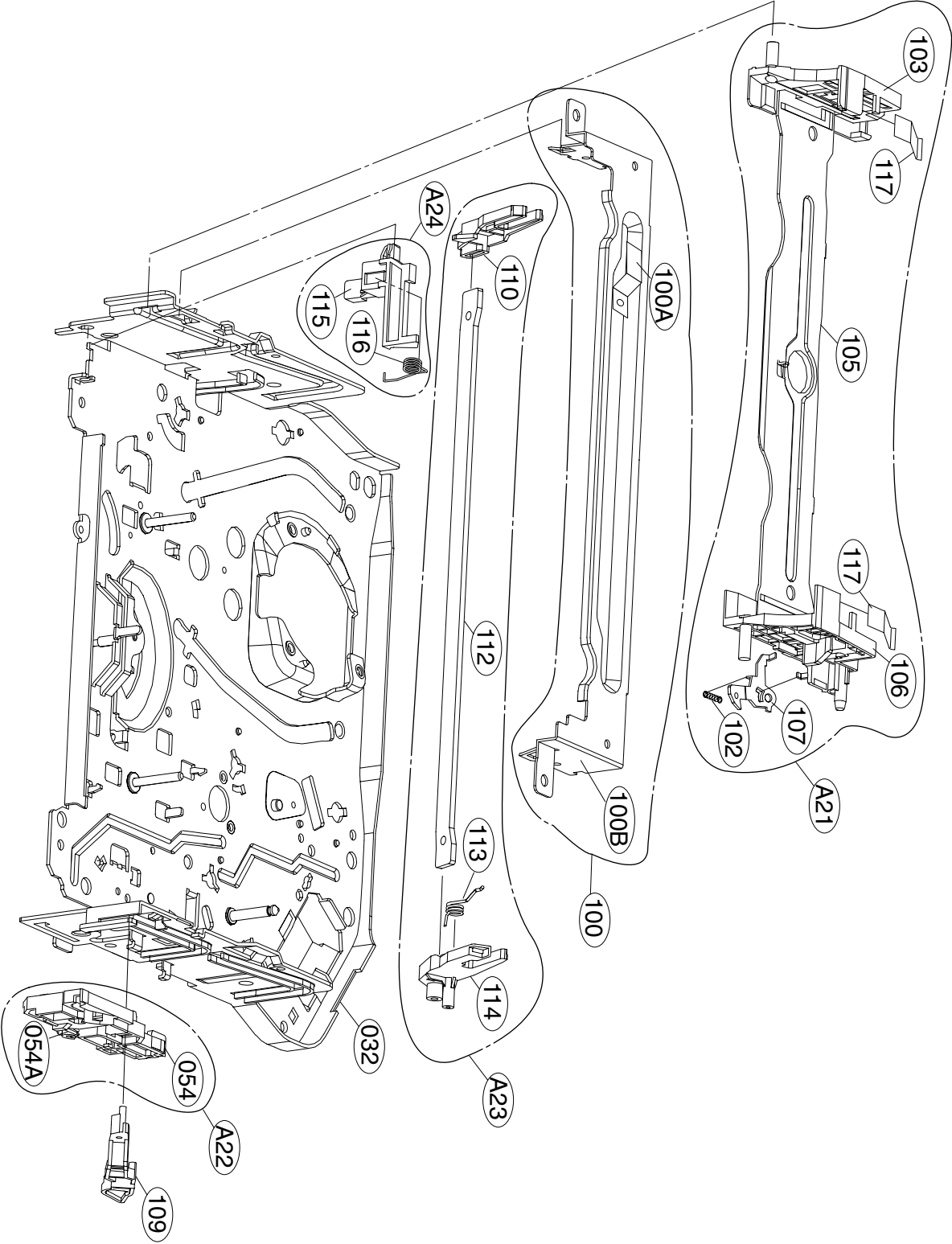
---

C.



# EXPLODED VIEWS

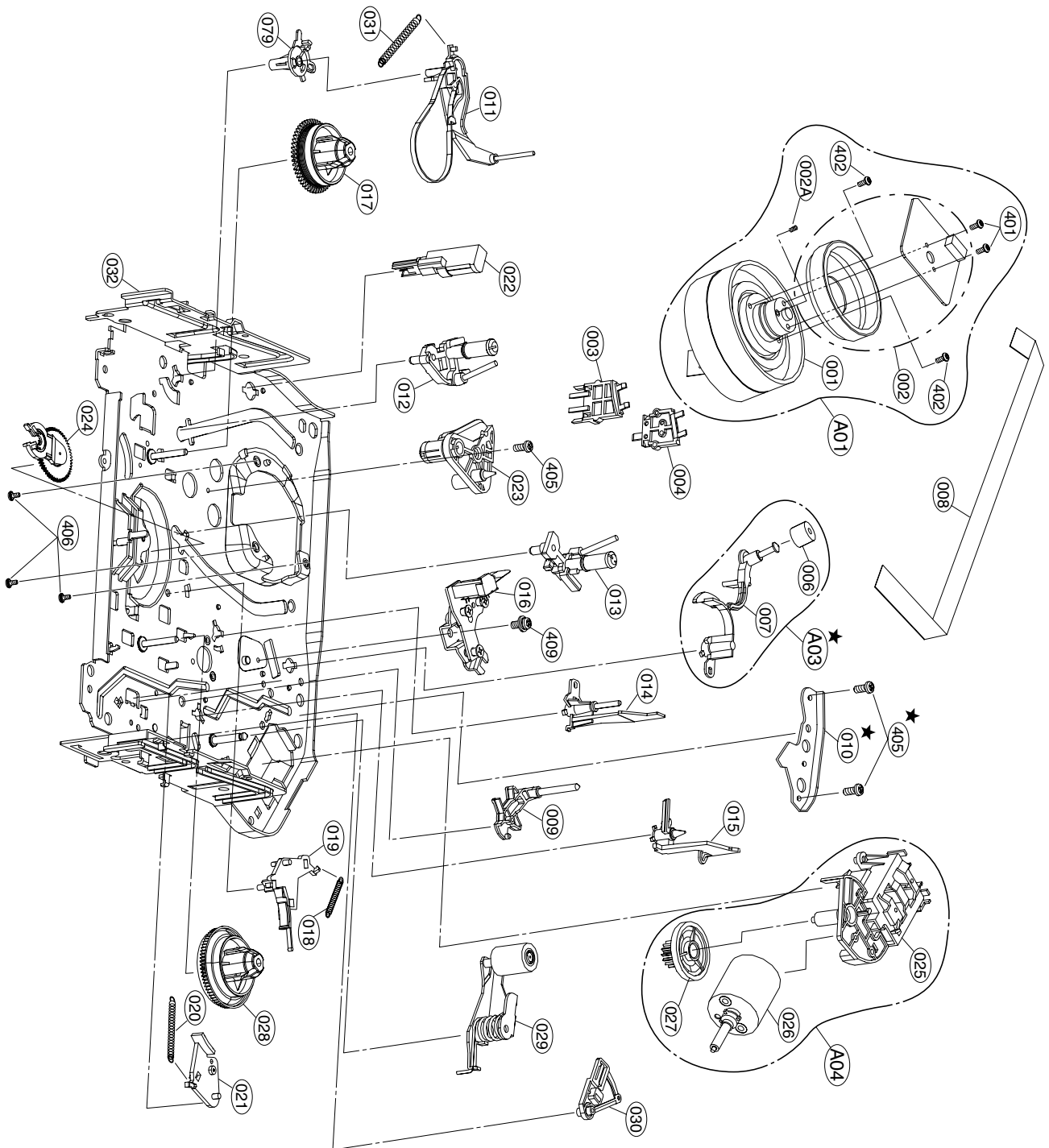
## 1. Front Loading Mechanism Section



# EXPLODED VIEWS

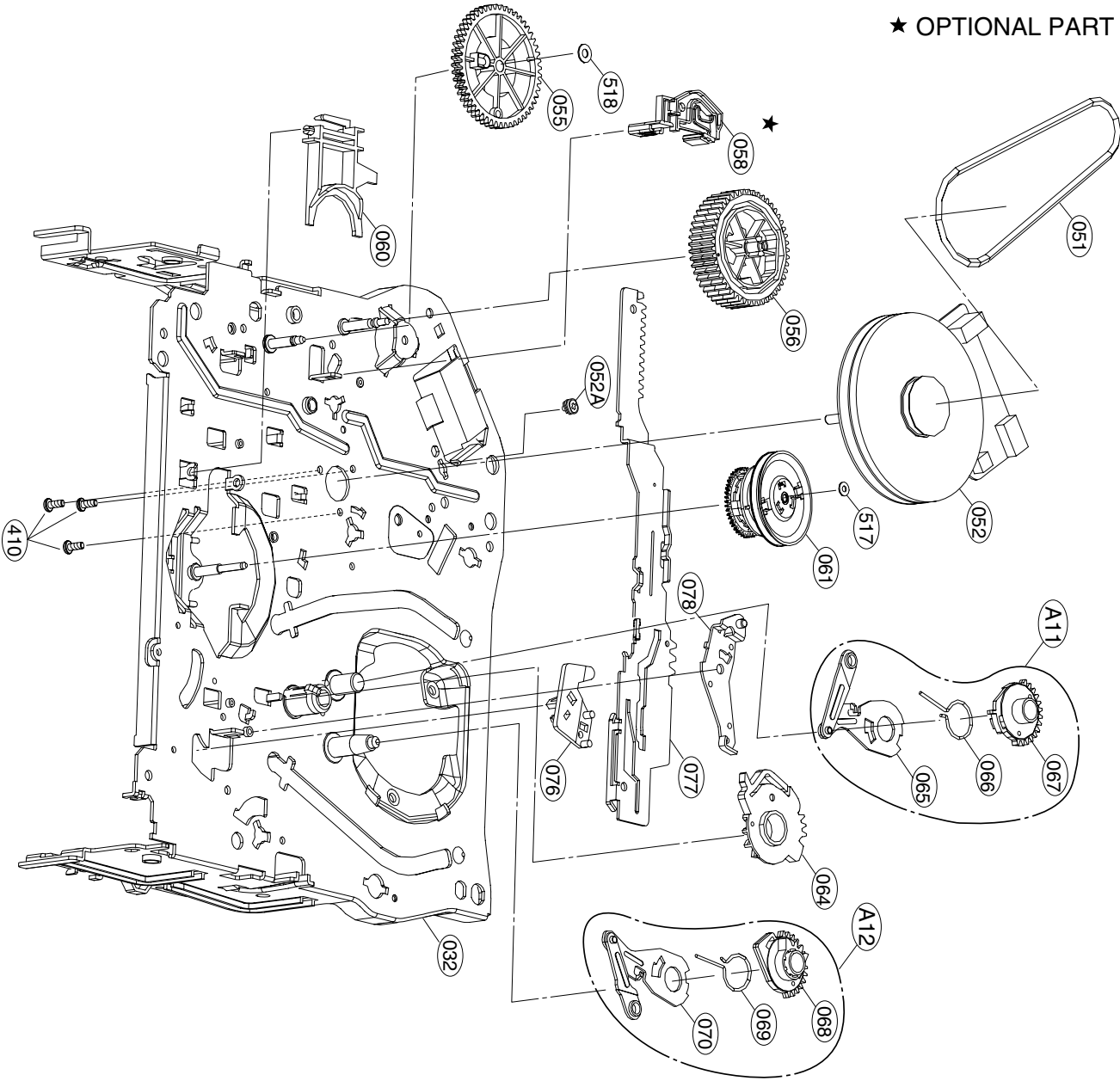
## 2. Moving Mechanism Section(1)

★ OPTIONAL PART




# EXPLODED VIEWS

## 3. Moving Mechanism Section(2)






NOTES)  Warning  
Parts that are shaded are critical  
With respect to risk of fire or  
electrical shock.

# SECTION 5 REPLACEMENT PARTS LIST

SANYO MODEL : VHR-M293E

NSP : Not available as service parts.

RUN DATE :13-FEB-03

S	AL	LOCA. NO.	PART NO.	DESCRIPTION	SPECIFICATION	REMARKS
<b>*** INDIVIDUAL PARTS ***</b>						
		250	LG3110R-0223G	CASE	VCR - TOP(0128 A288G SIDE SCRE	
		260	LG3210R-0023B	FRAME	MAIN (VII-PJT, 60HR)	NSP
		300	LG6410RBHV02C	POWER CORD	MP5005SC/HO3VVH2-F VOLEX BSI 1	
		330	LG3550R-0210A	COVER	BOTTOM(LARGE)	
		452	LG353-051A	SCREW	SPECIAL	
		457	LG353-051E	SCREW	SPECIAL (3X12)	
		462	LG353-136D	SCREW,DRAWING	+2 D4.0 L12.5 MSWR3/FN	
<b>*** PACKING ACCESSORY ***</b>						
		801	LG3835RP0090N	INSTRUCTION ASSEMBLY	VCR FCY200I.NA4USS	
		802	LG3890R-H537E	BOX(CARTON)	FCY200I NA4USS SW3-A 0.858 3 F	
		803	LG3920R-0067A	PACKING	AF999NS 0.02 65 EPS 12 1190 23	
		804	LG292-053A	BAG	SOFT(VCP)	NSP
		808	LG534-002C	BATTERY,MANGANES	AAM UM-3 SEOTONG 1-5 V - LOL 1	NSP
		810	LG6851RP0003A	CABLE ASSY,RF	CABLE ASSY,RF/SCART/RCA USING	
<b>*** REMOTE CONTROLLER ***</b>						
		900	LG6711R1P043F	REMOTE CONTROLLER ASSEMBLY	N7 FCY201P NA6SSS SANYO W/O SH	
		910	LG3550R-0454A	COVER	BATTERY(N7 HIPS 60HR 89991)	
<b>*** PANEL ASSEMBLY , FRONT ***</b>						
		A43	LG3721R-F311B	PANEL ASSEMBLY,FRONT	VCR FCY200I NA4USS FRONT(VHR-M	
		280	LG3720R-F701B	PANEL,VIDEO	VCR FCY200 MOLD FRONT(B589G)	NSP
		283	LG3580R-V020X	DOOR,CASE	VCR FCY200I NA4USS MOLD CST(M2	
		284	LG442-681A	SPRING	DOOR	
<b>*** DECK ASSEMBLY , VIDEO ***</b>						
		A00	LG6721RF0710B	DECK ASSEMBLY,VIDEO	D35(N) DI (2HD, NP, AHC(O), B/	NSP
		A01	LG6723R-0401B	DRUM(CIRC) ASSEMBLY	D35-2CH SP/EP (8M2)	
		A03	LG4261R-0025A	ARM ASSY	CLEANER	
		A04	LG4811RF0038A	BRACKET ASSEMBLY	L/D(S)	
		A04	LG4811RF0038B	BRACKET ASSEMBLY	L/D(M) - DI	ALTERNATE
		A11	LG4471R-0005A	GEAR ASSY	P3	
		A12	LG4471R-0004A	GEAR ASSY	P2	
		A21	LG4931R-0047A	HOLDER ASSY	CST	
		A22	LG4471R-0006A	GEAR ASSY	RACK F/L	
		A23	LG4261R-0023A	ARM ASSY	F/L	
		A24	LG4510R-0046A	LEVER	ASSY SWITCH	
		001	LG6723R-0304B	DRUM(CIRC) ASSEMBLY	SUB D35-2CH (8M2)	NSP
		002	LG4680R-B005A	MOTOR(MECH)	DRUM I2OAL05 SEJIN-SANKYO ICLE	
		002	LG4680R-B003B	MOTOR(MECH)	DRUM VH4301 KUMAGAYA DRUM MOTO	ALTERNATE
		002	LG4680R-B007A	MOTOR(MECH)	DRUM MDVC-035AA LGIT FOR D-35,	ALTERNATE
		002A	LG5202R00002C	BRUSH,CARBON	ASSY D33 (TIP+2 SPRING) 1.4,	
		003	LG4930R-0286A	HOLDER	FPCB(2CH)	
		004	LG5006R-0034A	CAP	FPC	
		006	LG4580R-0004A	ROLLER	CLEANER	NSP
		007	LG4260R-0039A	ARM	CLEANER	NSP
		008	LG6850R-HG18Z	CABLE,FLAT	P=1.25 FFC UL2896(0.05X0.8) 7	
		009	LG4260R-0038A	ARM	T/UP(D35)	
		010	LG4810R-0125A	BRACKET	CHASSIS	
		011	LG4261R-0022A	ARM ASSY	TENSION(D35)	

VHR-M293E

S	AL	LOCA. NO.	PART NO.	DESCRIPTION	SPECIFICATION	REMARKS
		012	LG3041R-0037A	BASE ASSY	P2	
		013	LG3041R-0038A	BASE ASSY	P3	
		014	LG3041R-0039A	BASE ASSY	P4	
		015	LG5870R-0005A	OPENER	LID(D35)	
		016	LG3041R-0036A	BASE ASSEMBLY	A/C HEAD (ALPS)	
		017	LG4408R-0003A	REEL	S	
		018	LG4970R-0140A	SPRING	COIL RS D35	
		019	LG4421R-0008A	BRAKE ASSEMBLY	RS	
		020	LG4970R-0128A	SPRING	COIL D35 (TB)	
		021	LG4421R-0006A	BRAKE ASSY	T	
		022	LG6520D00001A	HEAD(CIRC)	D35 FE TDK FE HEAD	ALTERNATE
		022	LG6520D00002A	HEAD(CIRC)	D35 FE ST FE HEAD	
		023	LG3040R-0057A	BASE	LOADING	
		024	LG4261R-0029A	ARM ASSEMBLY	IDLER (N)	
		025	LG4810R-0118A	BRACKET	L/D(S)	NSP
		026	LG4680R-D002A	MOTOR(MECH)	LOADING MDB2B66 SANKYO D35 ASP	NSP
		027	LG4470R-0093A	GEAR	WHEEL	NSP
		028	LG4408R-0004A	REEL	T	
		029	LG4261R-0019A	ARM ASSEMBLY	DECK/MECHA PINCH	
		029	LG4261R-0019B	ARM ASSEMBLY	PINCH	ALTERNATE
		030	LG4510R-0043A	LEVER	T/UP	
		031	LG4970R-0123A	SPRING	COIL TENSION(D35)	
		032	LG3141R-0040A	CHASSIS ASSY	D35	NSP
		051	LG4400R-0005A	BELT	CAPSTAN	
		052	LG4680R-A006A	MOTOR(MECH)	CAPSTAN MCV-035AA LGIT BLDC 3	
		052	LG4680R-A007A	MOTOR(MECH)	CAPSTAN F2QVB06 SANKYO D35 ASR	
		052	LG4680R-A008A	MOTOR(MECH)	CAPSTAN SAMSUNG DMVCMC09L D35	
		052A	LG4980R-0023A	SUPPORTER	CAPSTAN(D35)	
		054	LG4470R-0100A	GEAR	RACK F/L	
		054A	LG4970R-0124B	SPRING	COIL D35 (RACK F/L)	
		055	LG4470R-0097A	GEAR	DRIVE(D35)	
		056	LG4470R-0096A	GEAR	CAM(D35)	
		060	LG4510R-0040A	LEVER	F/R(D35)	
		061	LG4265R-0006A	CLUTCH ASSEMBLY	D35 (N)	
		064	LG4470R-0098A	GEAR	SECTOR(D35)	
		065	LG4261R-0021A	ARM ASSY	P3	NSP
		066	LG4970R-0122A	SPRING	COIL D35	NSP
		067	LG4470R-0095A	GEAR	P3	NSP
		068	LG4470R-0094A	GEAR	P2	NSP
		069	LG4970R-0122A	SPRING	COIL D35	NSP
		070	LG4261R-0020A	ARM ASSY	P2	NSP
		076	LG4510R-0047A	LEVER	SPRING	
		077	LG3300R-M116A	PLATE	SLIDER	
		078	LG4510R-0041A	LEVER	TENSION	
		079	LG3040R-0056A	BASE	TENSION(D35)	
		100	LG3301R-M022A	PLATE ASSEMBLY	TOP	
		100A	LG3300R-0184A	PLATE	GND	
		100B	LG3300R-M118A	PLATE	TOP(D35)	
		102	LG4970R-0130A	SPRING	COIL D35 (STOPPER)	
		103	LG4930R-0276A	HOLDER	SIDE(L)	NSP
		105	LG4930R-0274A	HOLDER	CST	NSP
		106	LG4930R-0275A	HOLDER	SIDE(R)	NSP
		107	LG4510R-0044A	LEVER	STOPPER	NSP
		109	LG5870R-0004A	OPENER	DOOR	
		110	LG4260R-0035A	ARM	F/L(L)	NSP
		112	LG3070R-0002A	BODY	F/L	NSP
		113	LG4970R-0127A	SPRING	COIL D35 (F/L(R))	NSP
		114	LG4260R-0036A	ARM	F/L(R)	NSP
		115	LG4510R-0042A	LEVER	SWITCH	

VHR-M293E

S	AL	LOCA. NO.	PART NO.	DESCRIPTION	SPECIFICATION	REMARKS
		116	LG4970R-0138A	SPRING	COIL D35 SWITCH	
		117	LG3300R-M137A	PLATE	SPRING CST	
		401	LG1MEC0261518	SCREW MACHINE,PAN HEAD SPR W	#NAME?	
		402	LG1MPC0261418	SCREW MACHINE,PAN HEAD	D 2.6 L 4.0 MSWR3/FZY	
		405	LG1SZZR-0031B	SCREW,DRAWING	+1 D2.6 L5.8 SWRCH16A/FZY TAP	
		406	LG1MEC0302018	PAN HEAD MACHINE SCREW S/W +	D 3.0 L 6.0 MSWR3/FZY	
		409	LG1SZZR-0032B	SCREW,DRAWING	+1 D2.6 L5.0 SWRCH18A/FZY TAP	
		410	LG1APF0262218	SCREW TAP TITE(B),PAN HEAD	#NAME?	
		517	LG1WZZR-0004D	WASHER	STOPPER	
		518	LG1WZZR-0004A	WASHER	STOPPER	
<b>*** BOARD ASSEMBLY , MAIN SCART ***</b>						
		A46	LG3501R-7805D	BOARD ASSEMBLY	VCR SANYO PAL SCART	
		275	LG4930R-0102A	HOLDER	LED	
		320	LG3720R-D020A	PANEL	VCR - DISTRIBUTOR (PAL-1SCART)	
		323	LG3111R-0089C	CASE ASSEMBLY	VCR - PRE-AMP (02-PAL)	
⚠		C101	LG624-088K	CAPACITOR	ECQU2A104ML 0.1UF/275VAC 7.5 T	ALTERNATE
⚠		C101	LG624-088L	CAPACITOR,DRAWING	435D SUNIL ELECTRONICS 0.1UF2	
⚠		C102	LG624-088K	CAPACITOR	ECQU2A104ML 0.1UF/275VAC 7.5 T	ALTERNATE
⚠		C102	LG624-088L	CAPACITOR,DRAWING	435D SUNIL ELECTRONICS 0.1UF2	
		C103	LG0CE476CU611	CAPACITOR,AL.ELECTROLYTIC	47UF SHL,SD 400V M FL BK7.5	
		C105	LG0CQ1031Y519	CAPACITOR,POLYESTER	0.01UF D 630V K PE NI TP	
		C106	LG624-087B	CAPACITOR	HIGH-VOL 100P/1KV SMPS SAMHWA	
		C109	LG0CE1064K638	CAPACITOR,FIXED ELECTROLYTIC	10M SRA 50V M FM5 TP(5)	
⚠		C112	LG0CG3320U630	CAPACITOR,SEMI CERAMIC	3300 PF 400V M E R(NK,AD,SD)	
⚠		C112	LG0CG3320U632	CAPACITOR,FIXED CERAMIC(TEMP.C	3300PF D 400V 20% R Y ( N 800	ALTERNATE
⚠		C113	LG0CG3310U510	CAPACITOR,FIXED CERAMIC(TEMP.C	330PF D 400V 10% B(Y5P) R	
		C114	LG0CQ4732K409	CAPACITOR,FIXED FILM	0.047UF S 50V J PE TP	
		C115	LG624-085D	CAPACITOR	CE 47UF/50V KME (SMPS)	
		C116	LG0CE108BF630	CAPACITOR,FIXED ELECTROLYTIC	1000UF KME 16V M FM5 BULK	
		C117	LG624-082H	CAPACITOR	CE 1000UF/10V SHL(10*12.5)T/P	
		C120	LG0CE477BH630	CAPACITOR,AL.ELECTROLYTIC	470UF KME TYPE 25V M FM5 BULK	
		C121	LG0CE227CH618	CAPACITOR,FIXED ELECTROLYTIC	220UF SHL,SD 25V 20% FL TP 5	
		C127	LG0CN223AK948	CAPACITOR,TUBULAR(HIGH DIELEC)	0.022UF 50V Z F TA26 S	
		C135	LG0CN4710K518	CAPACITOR TUBULA(HIGH DIELE)	470P 50V K B TA26	
		C153	LG0CE1064F638	CAPACITOR,ELECTROLYTIC	10M SRA 16V M FM5 TP(5)	
		C190	LG0CE1064F638	CAPACITOR,ELECTROLYTIC	10M SRA 16V M FM5 TP(5)	
		C301	LG0CE4754K638	CAPACITOR,FIXED ELECTROLYTIC	4.7UF SRA,SS 50V 20% FM5 TP 5	
		C302	LG0CE2264F638	CAPACITOR,ELECTROLYTIC	22M SRA 16V M FM5 TP(5)	
		C303	LG0CN1220F668	CAPACITOR TUBULA(HIGH DIELE)	1200P 16V M X TA26	
		C304	LG0CE4764F638	CAPACITOR,ELECTROLYTIC	47M SRA/SS 16V M FM5 TP(5)	
		C305	LG0CN1030F678	CAPACITOR TUBULA(HIGH DIELE)	0.01M 16V M Y TA26	
		C306	LG0CN1220F668	CAPACITOR TUBULA(HIGH DIELE)	1200P 16V M X TA26	
		C307	LG0CE1054K638	CAPACITOR,ELECTROLYTIC	1.0M SRA/SS50V M FM5 TP(5)	
		C308	LG0CQ1532K409	CAPACITOR,FIXED FILM	0.015UF S 50V J PE TP	
		C309	LG0CN1210K518	CAPACITOR TUBULA(HIGH DIELE)	120P 50V K B TA26	
		C310	LG0CQ1032K409	CAPACITOR,POLYESTER(MYLAR)	0.01UF S 50V J PE TP	
		C311	LG0CE4765K618	CAPACITOR,AL.ELECTROLYTIC	47UF SR,SV 50V M FL TP 5	
		C312	LG0CN1030F678	CAPACITOR TUBULA(HIGH DIELE)	0.01M 16V M Y TA26	
		C313	LG0CQ2232L559	CAPACITOR,POLYESTER	0.022UF S 63V K PP NI TP5	
		C314	LG0CE2264F638	CAPACITOR,ELECTROLYTIC	22M SRA 16V M FM5 TP(5)	
		C315	LG0CE2253K636	CAPACITOR,FIXED ELECTROLYTIC	2.2UF SRE,SE 50V 20% FM5 BP(D)	
		C316	LG0CE1064F638	CAPACITOR,ELECTROLYTIC	10M SRA 16V M FM5 TP(5)	
		C317	LG0CN1030F678	CAPACITOR TUBULA(HIGH DIELE)	0.01M 16V M Y TA26	
		C318	LG0CE1054K638	CAPACITOR,ELECTROLYTIC	1.0M SRA/SS50V M FM5 TP(5)	
		C319	LG0CQ1032K409	CAPACITOR,POLYESTER(MYLAR)	0.01UF S 50V J PE TP	
		C320	LG0CE1054K638	CAPACITOR,ELECTROLYTIC	1.0M SRA/SS50V M FM5 TP(5)	
		C321	LG0CX6800K408	CAPACITOR TUBULA(T.C)	68P 50V J SL TA26	
		C322	LG0CE1064F638	CAPACITOR,ELECTROLYTIC	10M SRA 16V M FM5 TP(5)	
		C323	LG0CE1064F638	CAPACITOR,ELECTROLYTIC	10M SRA 16V M FM5 TP(5)	

VHR-M293E

S	AL	LOCA. NO.	PART NO.	DESCRIPTION	SPECIFICATION	REMARKS
		C324	LG0CE4754K638	CAPACITOR, FIXED ELECTROLYTIC	4.7UF SRA, SS 50V 20% FM5 TP 5	
		C325	LG0CE1064F638	CAPACITOR, ELECTROLYTIC	10M SRA 16V M FM5 TP(5)	
		C326	LG0CN1030F678	CAPACITOR TUBULA(HIGH DIELE)	0.01M 16V M Y TA26	
		C327	LG0CE1054K638	CAPACITOR, ELECTROLYTIC	1.0M SRA/SS50V M FM5 TP(5)	
		C328	LG0CN1030F678	CAPACITOR TUBULA(HIGH DIELE)	0.01M 16V M Y TA26	
		C329	LG0CN1040K948	CAPACITOR TUBULA(HIGH DIELE)	0.01M 16V M Y TA26	
		C330	LG0CN1040K948	CAPACITOR, FIXED TUBULAR(High d	0.1UF D 50V 80%,-20% F(Y5V) TA	
		C331	LG0CE1064F638	CAPACITOR, ELECTROLYTIC	10M SRA 16V M FM5 TP(5)	
		C333	LG0CE4764F638	CAPACITOR, ELECTROLYTIC	47M SRA/SS 16V M FM5 TP(5)	
		C334	LG0CN4730K948	CAPACITOR, FIXED TUBULAR(High d	0.047UF D 50V 80%,-20% F(Y5V)	
		C335	LG0CN1030F678	CAPACITOR TUBULA(HIGH DIELE)	0.01M 16V M Y TA26	
		C336	LG0CE4764F638	CAPACITOR, ELECTROLYTIC	47M SRA/SS 16V M FM5 TP(5)	
		C337	LG0CE1054K638	CAPACITOR, ELECTROLYTIC	1.0M SRA/SS50V M FM5 TP(5)	
		C338	LG0CN4730K948	CAPACITOR, FIXED TUBULAR(High d	0.047UF D 50V 80%,-20% F(Y5V)	
		C339	LG0CE1054K638	CAPACITOR, ELECTROLYTIC	1.0M SRA/SS50V M FM5 TP(5)	
		C340	LG0CN4730K948	CAPACITOR, FIXED TUBULAR(High d	0.047UF D 50V 80%,-20% F(Y5V)	
		C341	LG0CN223AK948	CAPACITOR, TUBULAR(HIGH DIELEC)	0.022UF 50V Z F TA26 S	
		C342	LG0CN1040K948	CAPACITOR, FIXED TUBULAR(High d	0.1UF D 50V 80%,-20% F(Y5V) TA	
		C343	LG0CN4730K948	CAPACITOR, FIXED TUBULAR(High d	0.047UF D 50V 80%,-20% F(Y5V)	
		C344	LG0CN1010K518	CAPACITOR, TUBULAR(HIGH DIELEC)	100P 50V K B TA26	
		C345	LG0CN3330K518	CAPACITOR, FIXED TUBULAR(High d	0.033UF 50V K B TA26	
		C346	LG0CE4764F638	CAPACITOR, ELECTROLYTIC	47M SRA/SS 16V M FM5 TP(5)	
		C347	LG0CE1054K638	CAPACITOR, ELECTROLYTIC	1.0M SRA/SS50V M FM5 TP(5)	
		C348	LG0CE1054K638	CAPACITOR, ELECTROLYTIC	1.0M SRA/SS50V M FM5 TP(5)	
		C349	LG0CE4764F638	CAPACITOR, ELECTROLYTIC	47M SRA/SS 16V M FM5 TP(5)	
		C353	LG0CE1054K638	CAPACITOR, ELECTROLYTIC	1.0M SRA/SS50V M FM5 TP(5)	
		C355	LG0CN1040K948	CAPACITOR, FIXED TUBULAR(High d	0.1UF D 50V 80%,-20% F(Y5V) TA	
		C356	LG0CE1054K638	CAPACITOR, ELECTROLYTIC	1.0M SRA/SS50V M FM5 TP(5)	
		C357	LG0CE1054K638	CAPACITOR, ELECTROLYTIC	1.0M SRA/SS50V M FM5 TP(5)	
		C358	LG0CX6800K408	CAPACITOR TUBULA(T.C)	68P 50V J SL TA26	
		C359	LG0CE1054K638	CAPACITOR, ELECTROLYTIC	1.0M SRA/SS50V M FM5 TP(5)	
		C360	LG0CN1040K948	CAPACITOR, FIXED TUBULAR(High d	0.1UF D 50V 80%,-20% F(Y5V) TA	
		C361	LG0CN223AK948	CAPACITOR, TUBULAR(HIGH DIELEC)	0.022UF 50V Z F TA26 S	
		C362	LG0CE1064F638	CAPACITOR, ELECTROLYTIC	10M SRA 16V M FM5 TP(5)	
		C363	LG0CN1030F678	CAPACITOR TUBULA(HIGH DIELE)	0.01M 16V M Y TA26	
		C364	LG0CE4764F638	CAPACITOR, ELECTROLYTIC	47M SRA/SS 16V M FM5 TP(5)	
		C365	LG0CE1064F638	CAPACITOR, ELECTROLYTIC	10M SRA 16V M FM5 TP(5)	
		C366	LG0CN1040K948	CAPACITOR, FIXED TUBULAR(High d	0.1UF D 50V 80%,-20% F(Y5V) TA	
		C367	LG0CN1040K948	CAPACITOR, FIXED TUBULAR(High d	0.1UF D 50V 80%,-20% F(Y5V) TA	
		C368	LG0CQ8224K409	CAPACITOR, FIXED FILM	0.0082UF TE 50V 5% PE TP5	
		C369	LG0CN1010K518	CAPACITOR, TUBULAR(HIGH DIELEC)	100P 50V K B TA26	
		C370	LG0CN8200K418	CAPACITOR TUBULA(HIGH DIELE)	82P 50V J B TA26	
		C371	LG0CN8200K418	CAPACITOR TUBULA(HIGH DIELE)	82P 50V J B TA26	
		C372	LG0CN8200K418	CAPACITOR TUBULA(HIGH DIELE)	82P 50V J B TA26	
		C373	LG0CN1040K948	CAPACITOR, FIXED TUBULAR(High d	0.1UF D 50V 80%,-20% F(Y5V) TA	
		C375	LG0CN1020K518	CAPACITOR TUBULA(HIGH DIELE)	1000P 50V K B TA26	
		C500	LG624-074A	CAPACITOR, DRAWING	SUPER CAP 0.047F/5.5V T/P S/S	
		C501	LG0CN1040K948	CAPACITOR, FIXED TUBULAR(High d	0.1UF D 50V 80%,-20% F(Y5V) TA	
		C502	LG0CE4764F638	CAPACITOR, ELECTROLYTIC	47M SRA/SS 16V M FM5 TP(5)	
		C503	LG0CE2274C638	CAPACITOR, ELECTROLYTIC	220M SRA 6.3V M FM5 TP(5)	
		C504	LG0CE2274C638	CAPACITOR, ELECTROLYTIC	220M SRA 6.3V M FM5 TP(5)	
		C505	LG0CE4764F638	CAPACITOR, ELECTROLYTIC	47M SRA/SS 16V M FM5 TP(5)	
		C506	LG0CN223AK948	CAPACITOR, TUBULAR(HIGH DIELEC)	0.022UF 50V Z F TA26 S	
		C508	LG0CN1030F678	CAPACITOR TUBULA(HIGH DIELE)	0.01M 16V M Y TA26	
		C509	LG0CC2200K415	CAPACITOR, CERAMIC(TEMP COMP)	22P 50V J NP0 TS	
		C510	LG0CE2274C638	CAPACITOR, ELECTROLYTIC	220M SRA 6.3V M FM5 TP(5)	
		C511	LG0CN1040K948	CAPACITOR, FIXED TUBULAR(High d	0.1UF D 50V 80%,-20% F(Y5V) TA	
		C512	LG0CN1020K518	CAPACITOR TUBULA(HIGH DIELE)	1000P 50V K B TA26	
		C513	LG0CN1020K518	CAPACITOR TUBULA(HIGH DIELE)	1000P 50V K B TA26	

VHR-M293E

S	AL	LOCA. NO.	PART NO.	DESCRIPTION	SPECIFICATION	REMARKS
		C514	LG0CC1200K415	CAPACITOR, FIXED CERAMIC (TEMP. C	12PF 2012 50V 5% NP0 TR	
		C515	LG0CC1500K415	CAPACITOR, CERAMIC (TEMP COMP)	15P 50V J NP0 TS	
		C516	LG0CN223AK948	CAPACITOR, TUBULAR (HIGH DIELEC)	0.022UF 50V Z F TA26 S	
		C518	LG0CN1030F678	CAPACITOR TUBULA (HIGH DIELE)	0.01M 16V M Y TA26	
		C519	LG0CN1040K948	CAPACITOR, FIXED TUBULAR (High d	0.1UF D 50V 80%, -20% F(Y5V) TA	
		C520	LG0CN1020K518	CAPACITOR TUBULA (HIGH DIELE)	1000P 50V K B TA26	
		C523	LG0CE2254K638	CAPACITOR, FIXED ELECTROLYTIC	2.2UF SRA, SS 50V 20% FM5 TP 5	
		C524	LG0CE4764F638	CAPACITOR, ELECTROLYTIC	47M SRA/SS 16V M FM5 TP(5)	
		C525	LG0CE2274C638	CAPACITOR, ELECTROLYTIC	220M SRA 6.3V M FM5 TP(5)	
		C526	LG0CE4764J638	CAPACITOR, AL. ELECTROLYTIC	47UF SRA, SS 35V M FM5 TP 5	
		C527	LG0CN2210K518	CAPACITOR TUBULA (HIGH DIELE)	220P 50V K B TA26	
		C533	LG0CN1020K518	CAPACITOR TUBULA (HIGH DIELE)	1000P 50V K B TA26	
		C534	LG0CE4754K638	CAPACITOR, FIXED ELECTROLYTIC	4.7UF SRA, SS 50V 20% FM5 TP 5	
		C535	LG0CE4754K638	CAPACITOR, FIXED ELECTROLYTIC	4.7UF SRA, SS 50V 20% FM5 TP 5	
		C543	LG0CN2220F668	CAPACITOR, TUBULAR (HIGH DIELEC)	2200P 16V M X TA26	
		C544	LG0CQ4732K409	CAPACITOR, FIXED FILM	0.047UF S 50V J PE TP	
		C545	LG0CN3330K518	CAPACITOR, FIXED TUBULAR (High d	0.033UF 50V K B TA26	
		C546	LG0CE4764J638	CAPACITOR, AL. ELECTROLYTIC	47UF SRA, SS 35V M FM5 TP 5	
		C547	LG0CN1030F678	CAPACITOR TUBULA (HIGH DIELE)	0.01M 16V M Y TA26	
		C551	LG0CQ3332K409	CAPACITOR, FIXED FILM	0.033UF S 50V J PE TP	
		C552	LG0CN1030F678	CAPACITOR TUBULA (HIGH DIELE)	0.01M 16V M Y TA26	
		C561	LG0CE2274C638	CAPACITOR, ELECTROLYTIC	220M SRA 6.3V M FM5 TP(5)	
		C564	LG0CN1020K518	CAPACITOR TUBULA (HIGH DIELE)	1000P 50V K B TA26	
		C567	LG0CN1020K518	CAPACITOR TUBULA (HIGH DIELE)	1000P 50V K B TA26	
		C570	LG0CC1500K415	CAPACITOR, CERAMIC (TEMP COMP)	15P 50V J NP0 TS	
		C571	LG0CC1500K415	CAPACITOR, CERAMIC (TEMP COMP)	15P 50V J NP0 TS	
		C575	LG0CN1020K518	CAPACITOR TUBULA (HIGH DIELE)	1000P 50V K B TA26	
		C576	LG0CC2700K415	CAPACITOR CERAMIC (TEMP COMP)	27P 50V J NP0 TP	
		C577	LG0CN223AK948	CAPACITOR, TUBULAR (HIGH DIELEC)	0.022UF 50V Z F TA26 S	
		C578	LG0CN2220F668	CAPACITOR, TUBULAR (HIGH DIELEC)	2200P 16V M X TA26	
		C581	LG0CN1030F678	CAPACITOR TUBULA (HIGH DIELE)	0.01M 16V M Y TA26	
		C582	LG0CN1030F678	CAPACITOR TUBULA (HIGH DIELE)	0.01M 16V M Y TA26	
		C583	LG0CN1040K948	CAPACITOR, FIXED TUBULAR (High d	0.1UF D 50V 80%, -20% F(Y5V) TA	
		C589	LG0CQ2232K409	CAPACITOR, FIXED FILM	0.022UF S 50V J PE TP	
		C596	LG0CN1040K948	CAPACITOR, FIXED TUBULAR (High d	0.1UF D 50V 80%, -20% F(Y5V) TA	
		C5A3	LG0CN1040K948	CAPACITOR, FIXED TUBULAR (High d	0.1UF D 50V 80%, -20% F(Y5V) TA	
		C5A4	LG0CN1030F678	CAPACITOR TUBULA (HIGH DIELE)	0.01M 16V M Y TA26	
		C5A5	LG0CE1054K638	CAPACITOR, ELECTROLYTIC	1.0M SRA/SS 50V M FM5 TP(5)	
		C5G1	LG0CN1020K518	CAPACITOR TUBULA (HIGH DIELE)	1000P 50V K B TA26	
		C5G2	LG0CE1086C638	CAPACITOR, FIXED ELECTROLYTIC	1000000000 PF SMS, SG 6.3V M FM	
		C5G3	LG0CN1040K948	CAPACITOR, FIXED TUBULAR (High d	0.1UF D 50V 80%, -20% F(Y5V) TA	
		C5K1	LG0CN1040K948	CAPACITOR, FIXED TUBULAR (High d	0.1UF D 50V 80%, -20% F(Y5V) TA	
		C5R1	LG0CE3364F638	CAPACITOR, ELECTROLYTIC	33M SRA 16V M FM5 TP(5)	
		C5R2	LG0CN6810K518	CAPACITOR TUBULA (HIGH DIELE)	680P 50V K B TA26	
		C5S1	LG0CX4300K408	CAPACITOR TUBULA (T.C)	43P 50V J SL TA26	
		C5S3	LG0CN223AK948	CAPACITOR, TUBULAR (HIGH DIELEC)	0.022UF 50V Z F TA26 S	
		C701	LG0CE4754K638	CAPACITOR, FIXED ELECTROLYTIC	4.7UF SRA, SS 50V 20% FM5 TP 5	
		C704	LG0CE4764F638	CAPACITOR, ELECTROLYTIC	47M SRA/SS 16V M FM5 TP(5)	
		C705	LG0CN1030F678	CAPACITOR TUBULA (HIGH DIELE)	0.01M 16V M Y TA26	
		C706	LG0CE4775C618	CAPACITOR, AL. ELECTROLYTIC	470UF SR, SV 6.3V M FL TP 5	
		C707	LG0CN1030F678	CAPACITOR TUBULA (HIGH DIELE)	0.01M 16V M Y TA26	
		C710	LG0CX6800K408	CAPACITOR TUBULA (T.C)	68P 50V J SL TA26	
		C711	LG0CX3300K408	CAPACITOR TUBULA (T.C)	33P 50V J SL TA26	
		C712	LG0CX5R60K508	CAPACITOR TUBULA (T.C)	5.6PF 50V K SL TA26	
		C713	LG0CE4764F638	CAPACITOR, ELECTROLYTIC	47M SRA/SS 16V M FM5 TP(5)	
		C714	LG0CN1030F678	CAPACITOR TUBULA (HIGH DIELE)	0.01M 16V M Y TA26	
		C770	LG0CN1020K518	CAPACITOR TUBULA (HIGH DIELE)	1000P 50V K B TA26	
		C790	LG0CN1030F678	CAPACITOR TUBULA (HIGH DIELE)	0.01M 16V M Y TA26	
		C7M2	LG0CE1064F638	CAPACITOR, ELECTROLYTIC	10M SRA 16V M FM5 TP(5)	

VHR-M293E

S	AL	LOCA. NO.	PART NO.	DESCRIPTION	SPECIFICATION	REMARKS
		C7M3	LG0CX2700K408	CAPACITOR TUBULA(T.C)	27P 50V J SL TA26	
		C7M6	LG0CX2700K408	CAPACITOR TUBULA(T.C)	27P 50V J SL TA26	
		C901	LG0CN1020K518	CAPACITOR TUBULA(HIGH DIELE)	1000P 50V K B TA26	
		C902	LG0CE477CF638	CAPACITOR,AL.ELECTROLYTIC	470UF SHL TYPE 16V M FM5 TP 5	
		C903	LG0CN1020K518	CAPACITOR TUBULA(HIGH DIELE)	1000P 50V K B TA26	
		C904	LG0CN1020K518	CAPACITOR TUBULA(HIGH DIELE)	1000P 50V K B TA26	
		C909	LG0CN1040K948	CAPACITOR,FIXED TUBULAR(High d	0.1UF D 50V 80%,-20% F(Y5V) TA	
		C920	LG0CN1040K948	CAPACITOR,FIXED TUBULAR(High d	0.1UF D 50V 80%,-20% F(Y5V) TA	
		C921	LG0CN1040K948	CAPACITOR,FIXED TUBULAR(High d	0.1UF D 50V 80%,-20% F(Y5V) TA	
		C956	LG0CE1054K638	CAPACITOR,ELECTROLYTIC	1.0M SRA/SS50V M FM5 TP(5)	
		C957	LG0CX2700K408	CAPACITOR TUBULA(T.C)	27P 50V J SL TA26	
		C960	LG0CN1040K948	CAPACITOR,FIXED TUBULAR(High d	0.1UF D 50V 80%,-20% F(Y5V) TA	
		C961	LG0CE1064F638	CAPACITOR,ELECTROLYTIC	10M SRA 16V M FM5 TP(5)	
		FL301	LG633-032K	COIL,IFT	BIAC OSC,1CHIP 5V(KS-75M) KWAN	
		L103	LG633-088G	COIL,CHOKE	CHOCK(22MH) 5MM TOKO TP	
		L104	LG633-088G	COIL,CHOKE	CHOCK(22MH) 5MM TOKO TP	
		L301	LG0LR0102J0N5	INDUCTOR,RADIAL LEAD	10UH 5% TP 3X5 TR5	
		L301	LGGLR0102K0P5	INDUCTOR,RADIAL LEAD	LF7.5N OEL 10UH 10% TP 4.8X4.0	ALTERNATE
		L301	LG0LR0102K0P5	INDUCTOR,RADIAL LEAD	LF7.5N OEL 10UH 10% TP 4.8X4.0	ALTERNATE
		L302	LG0LR1000K035	INDUCTOR RADIAL LEAD	100M K 6X6 L5 TP	
		L303	LG0LR0102J0N5	INDUCTOR,RADIAL LEAD	10UH 5% TP 3X5 TR5	
		L303	LG0LR0102K0P5	INDUCTOR,RADIAL LEAD	LF7.5N OEL 10UH 10% TP 4.8X4.0	ALTERNATE
		L303	LGGLR0102K0P5	INDUCTOR,RADIAL LEAD	LF7.5N OEL 10UH 10% TP 4.8X4.0	ALTERNATE
		L304	LG0LR0102J0N5	INDUCTOR,RADIAL LEAD	10UH 5% TP 3X5 TR5	
		L304	LGGLR0102K0P5	INDUCTOR,RADIAL LEAD	LF7.5N OEL 10UH 10% TP 4.8X4.0	ALTERNATE
		L304	LG0LR0102K0P5	INDUCTOR,RADIAL LEAD	LF7.5N OEL 10UH 10% TP 4.8X4.0	ALTERNATE
		L305	LG0LR1000K035	INDUCTOR RADIAL LEAD	100M K 6X6 L5 TP	
		L307	LG0LR0102J0N5	INDUCTOR,RADIAL LEAD	10UH 5% TP 3X5 TR5	
		L307	LGGLR0102K0P5	INDUCTOR,RADIAL LEAD	LF7.5N OEL 10UH 10% TP 4.8X4.0	ALTERNATE
		L307	LG0LR0102K0P5	INDUCTOR,RADIAL LEAD	LF7.5N OEL 10UH 10% TP 4.8X4.0	ALTERNATE
		L501	LG0LA0122K018	INDUCTOR AXIAL LEAD	12M K 2.3X3.4 L5 TP	
		L503	LG0LR1000K035	INDUCTOR RADIAL LEAD	100M K 6X6 L5 TP	
		L504	LG0LR0102J0N5	INDUCTOR,RADIAL LEAD	10UH 5% TP 3X5 TR5	
		L504	LG0LR0102K0P5	INDUCTOR,RADIAL LEAD	LF7.5N OEL 10UH 10% TP 4.8X4.0	ALTERNATE
		L505	LG0LR1000K035	INDUCTOR RADIAL LEAD	100M K 6X6 L5 TP	
		L506	LG635-027C	INDUCTOR,RADIAL LEAD	EL0405RA SKI150G-3 K-TDK 15UH	
		L5G2	LG0LR1500K035	INDUCTOR RADIAL LEAD	150M K 6X6 L5 TP	
		L5S1	LG0LA0332K018	INDUCTOR AXIAL LEAD	33M K 2.3X3.4 L5 TP	
		L702	LG0LR1000K035	INDUCTOR RADIAL LEAD	100M K 6X6 L5 TP	
		L702	LGGLR1000K0P5	INDUCTOR,RADIAL LEAD	LF7.5N OEL 100UH 10% TP 4.8X4.	ALTERNATE
		L703	LG0LR1000K035	INDUCTOR RADIAL LEAD	100M K 6X6 L5 TP	
		L703	LGGLR1000K0P5	INDUCTOR,RADIAL LEAD	LF7.5N OEL 100UH 10% TP 4.8X4.	ALTERNATE
		L704	LG0LA0821K018	INDUCTOR AXIAL LEAD	8.2M K 2.3X3.4 L5 TP	
		L705	LG0LR1000K035	INDUCTOR RADIAL LEAD	100M K 6X6 L5 TP	
		L705	LGGLR1000K0P5	INDUCTOR,RADIAL LEAD	LF7.5N OEL 100UH 10% TP 4.8X4.	ALTERNATE
		L901	LG0LA1000K018	INDUCTOR AXIAL LEAD	100M K 2.3X3.4 L5 TP	
		L902	LG0LA1000K018	INDUCTOR AXIAL LEAD	100M K 2.3X3.4 L5 TP	
		L904	LG0LA1000K018	INDUCTOR AXIAL LEAD	100M K 2.3X3.4 L5 TP	
		L906	LG0LA1000K018	INDUCTOR AXIAL LEAD	100M K 2.3X3.4 L5 TP	
	⚠	BD101	LG0DD160000DA	DIODE	S1WBA60(1A 600V) SHIDENKEN	
		D102	LG0DD010009CA	DIODE,RECTIFIER	EG01CW(R-FORM 5MM) TP SANKEN	
		D102	LG0DD221009AA	DIODE,RECTIFIERS	ERA22-10 KFLB,TP ,R T/P,FUJI	ALTERNATE
		D103	LG0DR180209AA	DIODE,RECTIFIER	ERA18-02KFRB TP FUJI DO204AL 2	
		D104	LG0DD133009AA	DIODE,SWITCHING	1SS133 DETECT,SW TP	
		D105	LG0DD010009AC	DIODE	EU01W(R-FORM) TP SANKEN	ALTERNATE
		D105	LG0DR104009BA	DIODE,RECTIFIER	RL104F TP RECTRON NON 400V 1A	
		D106	LG0DR810040BA	DIODE,RECTIFIER	ERC81-004L22 BK FUJI DO201AD 4	ALTERNATE
		D106	LG0DR158220AA	DIODE,RECTIFIER	1N5822 BK RECTRON DO201AD 40V	
		D109	LG0DR310000AA	DIODE,RECTIFIERS	RU3YXLF-C1 BK SANKEN D4 100V 2	ALTERNATE

VHR-M293E

S	AL	LOCA. NO.	PART NO.	DESCRIPTION	SPECIFICATION	REMARKS
		D109	LG0DR202000AB	DIODE,RECTIFIER	HER202 BK RECTRON NON 100V 2A	
		D155	LG0DD207000AB	DIODE,RECTIFIERS	2A07 2A RECT(T/S)P=12.5 F DELT	
		D156	LG0DD133009AA	DIODE,SWITCHING	1SS133 DETECT,SW TP	
		D159	LG0DD133009AA	DIODE,SWITCHING	1SS133 DETECT,SW TP	
		D160	LG0DD133009AA	DIODE,SWITCHING	1SS133 DETECT,SW TP	
		D301	LG0DD133009AA	DIODE,SWITCHING	1SS133 DETECT,SW TP	
		D502	LG0DD133009AA	DIODE,SWITCHING	1SS133 DETECT,SW TP	
		D509	LG0DD133009AA	DIODE,SWITCHING	1SS133 DETECT,SW TP	
		D901	LG0DD133009AA	DIODE,SWITCHING	1SS133 DETECT,SW TP	
		D902	LG0DD133009AA	DIODE,SWITCHING	1SS133 DETECT,SW TP	
		D903	LG0DD133009AA	DIODE,SWITCHING	1SS133 DETECT,SW TP	
		L101	LG636-004C	FILTER(CIRC),EMC	BEAD CORE BFS3550R2FD8,R T/P	
	△	L102	LG616-145H	FILTER(CIRC)	SHT LFS2020V4-04350	
		L106	LG636-004C	FILTER(CIRC),EMC	BEAD CORE BFS3550R2FD8,R T/P	
		L905	LG636-004C	FILTER(CIRC),EMC	BEAD CORE BFS3550R2FD8,R T/P	
		L907	LG636-004C	FILTER(CIRC),EMC	BEAD CORE BFS3550R2FD8,R T/P	
		W588	LG636-004C	FILTER(CIRC),EMC	BEAD CORE BFS3550R2FD8,R T/P	
	△	F101	LG585-011T	FUSE,SLOW BLOW	1600MA 250 V 5.2X20 CY/GL SEMK	
		F102	LG0IRH200000B	IC,ROHM	ICP-N20 T104 TP IC DETACT	
	△	IC101	LG0IPMGSK003A	IC,POWER MANAGEMENT	STR-A6351 SANKEN 8 DIP ST SMPS	
		IC103	LG0IKE431000A	IC,KEC	KIA431 3 PIN TP	
		IC301	LG0ILNRSAA005B	IC,LINEAR	LA71750EM SANYO 100PIN QFP TRA	
		IC501	LG0IMCRHI027A	IC,MICRO CONTROLLER	HD64322197SA19F HITACHI 112PIN	
		IC503	LG0IAL241600B	IC,ATMEL	AT24C16 - - - -	ALTERNATE
		IC503	LG0ICS241600B	IC,CATALYST	CAT24W16P 8P DIP ST 16K SERIAL	
		IC504	LG0ISS753100A	IC,SAMSUNG ELECTRONICS	KA7531Z TO-92 TP 3.1V RESET	ALTERNATE
		IC504	LG0IKE703100A	IC,KEC	KIA7031P 3P 3.1V RESET(TAPING)	
		IC505	LG0IKE704200B	IC,KEC	KIA7042P 3P 4.2V RESET(TAPING)	
		IC506	LG0ILNRPY001A	IC,LINEAR	PT6955 PTC 24P SOP ST LED DRIV	
		JK901	LG6620RM0002K	JACK,SCART	DSAM-0120 DOOWON 1F-21P (BK)	
		LD501	LG4931R-0017C	HOLDER ASSY	LED(DI-CKD)LOCAL	
		LED501	LG6301R2U002D	LED ASSY	TOF-3462AGE-B OASIS UNIVERSAL	
		LED501	LG6301R3U002D	LED ASSEMBLY	ELF347GWB/S285 EVERLIGHT UNIVE	ALTERNATE
		Q151	LG0TR127309AA	TRANSISTOR	KTA1273-TP-Y (KTA966A)KEC	
		Q151	LG0TR928009AD	TRANSISTOR	KSA928A-Y,TO-92L TP SAMSUNG TO	ALTERNATE
		Q152	LG0TR127309AA	TRANSISTOR	KTA1273-TP-Y (KTA966A)KEC	
		Q152	LG0TR928009AD	TRANSISTOR	KSA928A-Y,TO-92L TP SAMSUNG TO	ALTERNATE
		Q154	LG0TR126809BA	TRANSISTOR,BIPOLARS	KTA1268-BL TP KEC	
		Q155	LG0TR320509AB	TRANSISTOR	KTC3205-TP-Y (KTC2236A)KEC	
		Q155	LG0TR232809AB	TRANSISTOR	KSC2328A-Y TP SAMSUNG TO-92L	ALTERNATE
		Q157	LG0TR100309AA	TRANSISTOR	KSR1003 TP (S/S)	ALTERNATE
		Q157	LG0TR120309AE	TRANSISTOR	SRC1203 TP AUK TO92 22K,22K	
		Q162	LG0TR534309BA	TRANSISTOR	2SC5343-L TP AUK TO92	
		Q163	LG0TR120109AC	TRANSISTOR	SRC1201 TP AUK TO92 4.7K,4.7K	
		Q164	LG0TR100309AA	TRANSISTOR	KSR1003 TP (S/S)	ALTERNATE
		Q164	LG0TR120309AE	TRANSISTOR	SRC1203 TP AUK TO92 22K,22K	
		Q165	LG0TR200309AA	TRANSISTOR	KSR2003TA TP FAIRCHILD TO92	ALTERNATE
		Q165	LG0TR220309AF	TRANSISTOR	SRA2203 TP AUK TO92 22K,22K	
		Q166	LG0TR127309AA	TRANSISTOR	KTA1273-TP-Y (KTA966A)KEC	
		Q166	LG0TR928009AD	TRANSISTOR	KSA928A-Y,TO-92L TP SAMSUNG TO	ALTERNATE
		Q301	LG0TR319809AC	TRANSISTOR	KTC3198-TP-BL (KTC1815)KEC	
		Q301	LG0TR534309BA	TRANSISTOR	2SC5343-L TP AUK TO92	ALTERNATE
		Q302	LG0TR198009CA	TRANSISTOR	2SA1980G TP AUK TO92	
		Q303	LG0TR319809AC	TRANSISTOR	KTC3198-TP-BL (KTC1815)KEC	ALTERNATE
		Q303	LG0TR534309BA	TRANSISTOR	2SC5343-L TP AUK TO92	
		Q304	LG0TR319809AC	TRANSISTOR	KTC3198-TP-BL (KTC1815)KEC	ALTERNATE
		Q304	LG0TR534309BA	TRANSISTOR	2SC5343-L TP AUK TO92	
		Q305	LG0TR198009CA	TRANSISTOR	2SA1980G TP AUK TO92	
		Q306	LG0TR320309AA	TRANSISTOR,BIPOLARS	KTC3203 KEC TP TO92 50V 150MA	ALTERNATE

VHR-M293E

S	AL	LOCA. NO.	PART NO.	DESCRIPTION	SPECIFICATION	REMARKS
		Q306	LG0TR534409AA	TRANSISTOR	2SC5344Y TP	
		Q308	LG0TR198009CA	TRANSISTOR	2SA1980G TP AUK TO92	
		Q309	LG0TR198009CA	TRANSISTOR	2SA1980G TP AUK TO92	
		Q501	LG0TR319809AC	TRANSISTOR	KTC3198-TP-BL (KTC1815)KEC	ALTERNATE
		Q501	LG0TR534309BA	TRANSISTOR	2SC5343-L TP AUK TO92	
		Q502	LG0TR534309BA	TRANSISTOR	2SC5343-L TP AUK TO92	
		Q503	LG0TR127309AA	TRANSISTOR	KTA1273-TP-Y (KTA966A)KEC	
		Q504	LG0TR534309BA	TRANSISTOR	2SC5343-L TP AUK TO92	
		Q514	LG0TR100309AA	TRANSISTOR	KSR1003 TP (S/S)	ALTERNATE
		Q514	LG0TR120309AE	TRANSISTOR	SRC1203 TP AUK TO92 22K,22K	
		Q515	LG0TR100309AA	TRANSISTOR	KSR1003 TP (S/S)	ALTERNATE
		Q515	LG0TR120309AE	TRANSISTOR	SRC1203 TP AUK TO92 22K,22K	
		Q5S1	LG0TR534309BA	TRANSISTOR	2SC5343-L TP AUK TO92	
		Q901	LG0TR100309AA	TRANSISTOR	KSR1003 TP (S/S)	ALTERNATE
		Q901	LG0TR120309AE	TRANSISTOR	SRC1203 TP AUK TO92 22K,22K	
		Q902	LG0TR200309AA	TRANSISTOR	KSR2003TA TP FAIRCHILD TO92	ALTERNATE
		Q902	LG0TR220309AF	TRANSISTOR	SRA2203 TP AUK TO92 22K,22K	
		Q903	LG0TR100309AA	TRANSISTOR	KSR1003 TP (S/S)	ALTERNATE
		Q903	LG0TR120309AE	TRANSISTOR	SRC1203 TP AUK TO92 22K,22K	
		Q906	LG0TR534309BA	TRANSISTOR	2SC5343-L TP AUK TO92	
		R101	LG614-007A	RESISTOR	2.7/2W CEMENT SMPS V	
		R102	LG0RD1803F608	RESISTOR, FIXED CARBON FILM	180K OHM 1/6 W 0.05 TA26	
		R103	LG0RD0682F608	RESISTOR, FIXED CARBON FILM	68 OHM 1/6 W 5.00% TA26	
		R104	LG0RS5602K619	RESISTOR, FIXED METAL OXIDE FIL	56K OHM 2 W 5.00% TR	
		R105	LG0RF0101A619	RESISTOR, DRAWING	1 OHM 1/2 W(7.0) 5.00% TR	
		R106	LG0RD1803F608	RESISTOR, FIXED CARBON FILM	180K OHM 1/6 W 0.05 TA26	
		R109	LG0RS0350K619	RESISTOR, FIXED METAL OXIDE FIL	0.35 OHM 2 W 5.00% TR	
		R112	LG0RD1003F608	RESISTOR, FIXED CARBON FILM	100K OHM 1/6 W 5% TA26	
		R116	LG0RD2200F608	RESISTOR, FIXED CARBON FILM	220 OHM 1/6 W 5% TA26	
		R117	LG0RD2201F608	RESISTOR, FIXED CARBON FILM	2.2K OHM 1/6 W 5% TA26	
		R118	LG0RD1001F608	RESISTOR, FIXED CARBON FILM	1K OHM 1/6 W 5% TA26	
		R119	LG0RN3301F408	RESISTOR, FIXED METAL FILM	3.3K OHM 1/6 W 1% TA26	
		R120	LG0RN3001F408	RESISTOR, FIXED METAL FILM	3K OHM 1/6 W 1% TA26	
		R125	LG0RD4701F608	RESISTOR, FIXED CARBON FILM	4.7K OHM 1/6 W 5% TA26	
		R126	LG0RD6800F608	RESISTOR, FIXED CARBON FILM	680 OHM 1/6 W 5% TA26	
		R151	LG0RD1001F608	RESISTOR, FIXED CARBON FILM	1K OHM 1/6 W 5% TA26	
		R152	LG0RD3300F608	RESISTOR, FIXED CARBON FILM	330 OHM 1/6 W 5% TA26	
		R153	LG0RD1001F608	RESISTOR, FIXED CARBON FILM	1K OHM 1/6 W 5% TA26	
		R154	LG0RD3300F608	RESISTOR, FIXED CARBON FILM	330 OHM 1/6 W 5% TA26	
		R155	LG0RD3301F608	RESISTOR, FIXED CARBON FILM	3.3K OHM 1/6 W 5% TA26	
		R157	LG0RD1001F608	RESISTOR, FIXED CARBON FILM	1K OHM 1/6 W 5% TA26	
		R158	LG0RD1802F608	RESISTOR, FIXED CARBON FILM	18K OHM 1/6 W 5% TA26	
		R159	LG0RD4700F608	RESISTOR, FIXED CARBON FILM	470 OHM 1/6 W 5% TA26	
		R161	LG0RD4701F608	RESISTOR, FIXED CARBON FILM	4.7K OHM 1/6 W 5% TA26	
		R170	LG0RD5601F608	RESISTOR, FIXED CARBON FILM	5.6K OHM 1/6 W 5% TA26	
		R172	LG0RD2700F608	RESISTOR, FIXED CARBON FILM	270 OHM 1/6 W 5% TA26	
		R173	LG0RD2700F608	RESISTOR, FIXED CARBON FILM	270 OHM 1/6 W 5% TA26	
		R1B1	LG0RD1504H632	RESISTOR, FIXED CARBON FILM	1.5M OHM 1/2 W 5.00% MF10	
		R301	LG0RD5602F608	RESISTOR, FIXED CARBON FILM	56K OHM 1/6 W 5% TA26	
		R303	LG0RD1802F608	RESISTOR, FIXED CARBON FILM	18K OHM 1/6 W 5% TA26	
		R304	LG0RD1002F608	RESISTOR, FIXED CARBON FILM	10K OHM 1/6 W 5% TA26	
		R305	LG0RD1002F608	RESISTOR, FIXED CARBON FILM	10K OHM 1/6 W 5% TA26	
		R306	LG0RD2202F608	RESISTOR, FIXED CARBON FILM	22K OHM 1/6 W 5% TA26	
		R307	LG0RD2201F608	RESISTOR, FIXED CARBON FILM	2.2K OHM 1/6 W 5% TA26	
		R308	LG0RD4701F608	RESISTOR, FIXED CARBON FILM	4.7K OHM 1/6 W 5% TA26	
		R309	LG0RD1001F608	RESISTOR, FIXED CARBON FILM	1K OHM 1/6 W 5% TA26	
		R310	LG0RD4701F608	RESISTOR, FIXED CARBON FILM	4.7K OHM 1/6 W 5% TA26	
		R311	LG0RD1001F608	RESISTOR, FIXED CARBON FILM	1K OHM 1/6 W 5% TA26	
		R312	LG0RD6802F608	RESISTOR, FIXED CARBON FILM	68K OHM 1/6 W 5% TA26	



VHR-M293E

S	AL	LOCA. NO.	PART NO.	DESCRIPTION	SPECIFICATION	REMARKS
		R313	LG0RD0221F608	RESISTOR, FIXED CARBON FILM	2.2 OHM 1/6 W 5% TA26	
		R314	LG0RD1001F608	RESISTOR, FIXED CARBON FILM	1K OHM 1/6 W 5% TA26	
		R315	LG0RD0472F608	RESISTOR, FIXED CARBON FILM	47 OHM 1/6 W 5% TA26	
		R316	LG0RD1000F608	RESISTOR, FIXED CARBON FILM	100 OHM 1/6 W 5% TA26	
		R317	LG0RD5601F608	RESISTOR, FIXED CARBON FILM	5.6K OHM 1/6 W 5% TA26	
		R318	LG0RD3901F608	RESISTOR, FIXED CARBON FILM	3.9K OHM 1/6 W 5% TA26	
		R319	LG0RD5600F608	RESISTOR, FIXED CARBON FILM	560 OHM 1/6 W 5% TA26	
		R320	LG0RD1500F608	RESISTOR, FIXED CARBON FILM	150 OHM 1/6 W 5% TA26	
		R321	LG0RD1201F608	RESISTOR, FIXED CARBON FILM	1.2K OHM 1/6 W 5% TA26	
		R322	LG0RD1001F608	RESISTOR, FIXED CARBON FILM	1K OHM 1/6 W 5% TA26	
		R324	LG0RD3303F608	RESISTOR, FIXED CARBON FILM	330K OHM 1/6 W 5% TA26	
		R325	LG0RD4700F608	RESISTOR, FIXED CARBON FILM	470 OHM 1/6 W 5% TA26	
		R326	LG0RD1202F608	RESISTOR, FIXED CARBON FILM	12K OHM 1/6 W 5% TA26	
		R327	LG0RD5601F608	RESISTOR, FIXED CARBON FILM	5.6K OHM 1/6 W 5% TA26	
		R328	LG0RD2700F608	RESISTOR, FIXED CARBON FILM	270 OHM 1/6 W 5% TA26	
		R329	LG0RD1202F608	RESISTOR, FIXED CARBON FILM	12K OHM 1/6 W 5% TA26	
		R330	LG0RD1002F608	RESISTOR, FIXED CARBON FILM	10K OHM 1/6 W 5% TA26	
		R331	LG0RD4701F608	RESISTOR, FIXED CARBON FILM	4.7K OHM 1/6 W 5% TA26	
		R334	LG0RD2701F608	RESISTOR, FIXED CARBON FILM	2.7K OHM 1/6 W 5% TA26	
		R335	LG0RD6801F608	RESISTOR, FIXED CARBON FILM	6.8K OHM 1/6 W 5% TA26	
		R336	LG0RD1003F608	RESISTOR, FIXED CARBON FILM	100K OHM 1/6 W 5% TA26	
		R337	LG0RD2201F608	RESISTOR, FIXED CARBON FILM	2.2K OHM 1/6 W 5% TA26	
		R338	LG0RD2700F608	RESISTOR, FIXED CARBON FILM	270 OHM 1/6 W 5% TA26	
		R339	LG0RD5600F608	RESISTOR, FIXED CARBON FILM	560 OHM 1/6 W 5% TA26	
		R340	LG0RD1802F608	RESISTOR, FIXED CARBON FILM	18K OHM 1/6 W 5% TA26	
		R342	LG0RD5600F608	RESISTOR, FIXED CARBON FILM	560 OHM 1/6 W 5% TA26	
		R344	LG0RD4700F608	RESISTOR, FIXED CARBON FILM	470 OHM 1/6 W 5% TA26	
		R345	LG0RD4700F608	RESISTOR, FIXED CARBON FILM	470 OHM 1/6 W 5% TA26	
		R346	LG0RD1000F608	RESISTOR, FIXED CARBON FILM	100 OHM 1/6 W 5% TA26	
		R349	LG0RD1801F608	RESISTOR, FIXED CARBON FILM	1.8K OHM 1/6 W 5% TA26	
		R350	LG0RD1002F608	RESISTOR, FIXED CARBON FILM	10K OHM 1/6 W 5% TA26	
		R351	LG0RD8203F608	RESISTOR, FIXED CARBON FILM	820K OHM 1/6 W 0.05 TA26	
		R3A1	LG0RD1002F608	RESISTOR, FIXED CARBON FILM	10K OHM 1/6 W 5% TA26	
		R501	LG0RD1000F608	RESISTOR, FIXED CARBON FILM	100 OHM 1/6 W 5% TA26	
		R502	LG0RD1000F608	RESISTOR, FIXED CARBON FILM	100 OHM 1/6 W 5% TA26	
		R503	LG0RD4701F608	RESISTOR, FIXED CARBON FILM	4.7K OHM 1/6 W 5% TA26	
		R504	LG0RD1001F608	RESISTOR, FIXED CARBON FILM	1K OHM 1/6 W 5% TA26	
		R505	LG0RD1001F608	RESISTOR, FIXED CARBON FILM	1K OHM 1/6 W 5% TA26	
		R506	LG0RD1002F608	RESISTOR, FIXED CARBON FILM	10K OHM 1/6 W 5% TA26	
		R507	LG0RD1002F608	RESISTOR, FIXED CARBON FILM	10K OHM 1/6 W 5% TA26	
		R508	LG0RD2201F608	RESISTOR, FIXED CARBON FILM	2.2K OHM 1/6 W 5% TA26	
		R509	LG0RD2201F608	RESISTOR, FIXED CARBON FILM	2.2K OHM 1/6 W 5% TA26	
		R510	LG0RD2201F608	RESISTOR, FIXED CARBON FILM	2.2K OHM 1/6 W 5% TA26	
		R511	LG0RD1001F608	RESISTOR, FIXED CARBON FILM	1K OHM 1/6 W 5% TA26	
		R512	LG0RD1001F608	RESISTOR, FIXED CARBON FILM	1K OHM 1/6 W 5% TA26	
		R513	LG0RD1001F608	RESISTOR, FIXED CARBON FILM	1K OHM 1/6 W 5% TA26	
		R514	LG0RD1203F608	RESISTOR, FIXED CARBON FILM	120K OHM 1/6 W 5% TA26	
		R515	LG0RD2700F608	RESISTOR, FIXED CARBON FILM	270 OHM 1/6 W 5% TA26	
		R516	LG0RD4703F608	RESISTOR, FIXED CARBON FILM	470K OHM 1/6 W 5% TA26	
		R517	LG0RD4700F608	RESISTOR, FIXED CARBON FILM	470 OHM 1/6 W 5% TA26	
		R518	LG0RD1001F608	RESISTOR, FIXED CARBON FILM	1K OHM 1/6 W 5% TA26	
		R520	LG0RD3901F608	RESISTOR, FIXED CARBON FILM	3.9K OHM 1/6 W 5% TA26	
		R521	LG0RD4701F608	RESISTOR, FIXED CARBON FILM	4.7K OHM 1/6 W 5% TA26	
		R522	LG0RD1001F608	RESISTOR, FIXED CARBON FILM	1K OHM 1/6 W 5% TA26	
		R523	LG0RD1002F608	RESISTOR, FIXED CARBON FILM	10K OHM 1/6 W 5% TA26	
		R524	LG0RD0222F608	RESISTOR, FIXED CARBON FILM	22 OHM 1/6 W 5% TA26	
		R525	LG0RD5601F608	RESISTOR, FIXED CARBON FILM	5.6K OHM 1/6 W 5% TA26	
		R526	LG0RD5601F608	RESISTOR, FIXED CARBON FILM	5.6K OHM 1/6 W 5% TA26	
		R527	LG0RD1002F608	RESISTOR, FIXED CARBON FILM	10K OHM 1/6 W 5% TA26	

VHR-M293E


S	AL	LOCA. NO.	PART NO.	DESCRIPTION	SPECIFICATION	REMARKS
		R528	LG0RD4701F608	RESISTOR, FIXED CARBON FILM	4.7K OHM 1/6 W 5% TA26	
		R529	LG0RD1002F608	RESISTOR, FIXED CARBON FILM	10K OHM 1/6 W 5% TA26	
		R530	LG0RD4701F608	RESISTOR, FIXED CARBON FILM	4.7K OHM 1/6 W 5% TA26	
		R531	LG0RD1002F608	RESISTOR, FIXED CARBON FILM	10K OHM 1/6 W 5% TA26	
		R535	LG0RD4703F608	RESISTOR, FIXED CARBON FILM	470K OHM 1/6 W 5% TA26	
		R542	LG0RD2201F608	RESISTOR, FIXED CARBON FILM	2.2K OHM 1/6 W 5% TA26	
		R543	LG0RD1000F608	RESISTOR, FIXED CARBON FILM	100 OHM 1/6 W 5% TA26	
		R544	LG0RD4701F608	RESISTOR, FIXED CARBON FILM	4.7K OHM 1/6 W 5% TA26	
		R546	LG0RD5601F608	RESISTOR, FIXED CARBON FILM	5.6K OHM 1/6 W 5% TA26	
		R547	LG0RD1202F608	RESISTOR, FIXED CARBON FILM	12K OHM 1/6 W 5% TA26	
		R548	LG0RD1003F608	RESISTOR, FIXED CARBON FILM	100K OHM 1/6 W 5% TA26	
		R550	LG0RD2200F608	RESISTOR, FIXED CARBON FILM	220 OHM 1/6 W 5% TA26	
		R553	LG0RD2200F608	RESISTOR, FIXED CARBON FILM	220 OHM 1/6 W 5% TA26	
		R555	LG0RD2200F608	RESISTOR, FIXED CARBON FILM	220 OHM 1/6 W 5% TA26	
		R556	LG0RD2202F608	RESISTOR, FIXED CARBON FILM	22K OHM 1/6 W 5% TA26	
		R557	LG0RD2702F608	RESISTOR, FIXED CARBON FILM	27K OHM 1/6 W 5% TA26	
		R558	LG0RD2202F608	RESISTOR, FIXED CARBON FILM	22K OHM 1/6 W 5% TA26	
		R559	LG0RD4701F608	RESISTOR, FIXED CARBON FILM	4.7K OHM 1/6 W 5% TA26	
		R560	LG0RD4701F608	RESISTOR, FIXED CARBON FILM	4.7K OHM 1/6 W 5% TA26	
		R561	LG0RD5600F608	RESISTOR, FIXED CARBON FILM	560 OHM 1/6 W 5% TA26	
		R562	LG0RD5600F608	RESISTOR, FIXED CARBON FILM	560 OHM 1/6 W 5% TA26	
		R563	LG0RD5601F608	RESISTOR, FIXED CARBON FILM	5.6K OHM 1/6 W 5% TA26	
		R564	LG0RD2702F608	RESISTOR, FIXED CARBON FILM	27K OHM 1/6 W 5% TA26	
		R566	LG0RD4701F608	RESISTOR, FIXED CARBON FILM	4.7K OHM 1/6 W 5% TA26	
		R567	LG0RD1002F608	RESISTOR, FIXED CARBON FILM	10K OHM 1/6 W 5% TA26	
		R568	LG0RD6802F608	RESISTOR, FIXED CARBON FILM	68K OHM 1/6 W 5% TA26	
		R569	LG0RD1004F608	RESISTOR, FIXED CARBON FILM	1M OHM 1/6 W 5% TA26	
		R570	LG0RD4701F608	RESISTOR, FIXED CARBON FILM	4.7K OHM 1/6 W 5% TA26	
		R575	LG0RD4701F608	RESISTOR, FIXED CARBON FILM	4.7K OHM 1/6 W 5% TA26	
		R576	LG0RD4701F608	RESISTOR, FIXED CARBON FILM	4.7K OHM 1/6 W 5% TA26	
		R577	LG0RD4701F608	RESISTOR, FIXED CARBON FILM	4.7K OHM 1/6 W 5% TA26	
		R578	LG0RD4701F608	RESISTOR, FIXED CARBON FILM	4.7K OHM 1/6 W 5% TA26	
		R579	LG0RD5602F608	RESISTOR, FIXED CARBON FILM	56K OHM 1/6 W 5% TA26	
		R582	LG0RD1000F608	RESISTOR, FIXED CARBON FILM	100 OHM 1/6 W 5% TA26	
		R583	LG0RD1002F608	RESISTOR, FIXED CARBON FILM	10K OHM 1/6 W 5% TA26	
		R589	LG0RD1004F608	RESISTOR, FIXED CARBON FILM	1M OHM 1/6 W 5% TA26	
		R591	LG0RD1003F608	RESISTOR, FIXED CARBON FILM	100K OHM 1/6 W 5% TA26	
		R5A2	LG0RD1002F608	RESISTOR, FIXED CARBON FILM	10K OHM 1/6 W 5% TA26	
		R5A3	LG0RD1002F608	RESISTOR, FIXED CARBON FILM	10K OHM 1/6 W 5% TA26	
		R5A5	LG0RD4703F608	RESISTOR, FIXED CARBON FILM	470K OHM 1/6 W 5% TA26	
		R5B3	LG0RD1001F608	RESISTOR, FIXED CARBON FILM	1K OHM 1/6 W 5% TA26	
		R5B4	LG0RD1001F608	RESISTOR, FIXED CARBON FILM	1K OHM 1/6 W 5% TA26	
		R5B5	LG0RD1000F608	RESISTOR, FIXED CARBON FILM	100 OHM 1/6 W 5% TA26	
		R5C1	LG0RD1001F608	RESISTOR, FIXED CARBON FILM	1K OHM 1/6 W 5% TA26	
		R5C5	LG0RD1001F608	RESISTOR, FIXED CARBON FILM	1K OHM 1/6 W 5% TA26	
		R5C6	LG0RD1001F608	RESISTOR, FIXED CARBON FILM	1K OHM 1/6 W 5% TA26	
		R5C7	LG0RD1001F608	RESISTOR, FIXED CARBON FILM	1K OHM 1/6 W 5% TA26	
		R5C9	LG0RD1002F608	RESISTOR, FIXED CARBON FILM	10K OHM 1/6 W 5% TA26	
		R5G1	LG0RD4702F608	RESISTOR, FIXED CARBON FILM	47K OHM 1/6 W 5% TA26	
		R5G2	LG0RD1000F608	RESISTOR, FIXED CARBON FILM	100 OHM 1/6 W 5% TA26	
		R5G3	LG0RD1000F608	RESISTOR, FIXED CARBON FILM	100 OHM 1/6 W 5% TA26	
		R5G4	LG0RD1000F608	RESISTOR, FIXED CARBON FILM	100 OHM 1/6 W 5% TA26	
		R5P2	LG0RD1002F608	RESISTOR, FIXED CARBON FILM	10K OHM 1/6 W 5% TA26	
		R5P3	LG0RD1002F608	RESISTOR, FIXED CARBON FILM	10K OHM 1/6 W 5% TA26	
		R5R7	LG0RD3300F608	RESISTOR, FIXED CARBON FILM	330 OHM 1/6 W 5% TA26	
		R5R8	LG0RD1001F608	RESISTOR, FIXED CARBON FILM	1K OHM 1/6 W 5% TA26	
		R5S1	LG0RD5601F608	RESISTOR, FIXED CARBON FILM	5.6K OHM 1/6 W 5% TA26	
		R5T1	LG0RD1801F608	RESISTOR, FIXED CARBON FILM	1.8K OHM 1/6 W 5% TA26	
		R5T10	LG0RD1501F608	RESISTOR, FIXED CARBON FILM	1.5K OHM 1/6 W 5% TA26	

VHR-M293E

S	AL	LOCA. NO.	PART NO.	DESCRIPTION	SPECIFICATION	REMARKS
		R5T11	LG0RD1001F608	RESISTOR, FIXED CARBON FILM	1K OHM 1/6 W 5% TA26	
		R5T2	LG0RD1501F608	RESISTOR, FIXED CARBON FILM	1.5K OHM 1/6 W 5% TA26	
		R5T3	LG0RD2201F608	RESISTOR, FIXED CARBON FILM	2.2K OHM 1/6 W 5% TA26	
		R5T4	LG0RD2701F608	RESISTOR, FIXED CARBON FILM	2.7K OHM 1/6 W 5% TA26	
		R5T5	LG0RD3901F608	RESISTOR, FIXED CARBON FILM	3.9K OHM 1/6 W 5% TA26	
		R5T9	LG0RD1801F608	RESISTOR, FIXED CARBON FILM	1.8K OHM 1/6 W 5% TA26	
		R706	LG0RD2200F608	RESISTOR, FIXED CARBON FILM	220 OHM 1/6 W 5% TA26	
		R707	LG0RD2200F608	RESISTOR, FIXED CARBON FILM	220 OHM 1/6 W 5% TA26	
		R709	LG0RD1001F608	RESISTOR, FIXED CARBON FILM	1K OHM 1/6 W 5% TA26	
		R7M1	LG0RD1001F608	RESISTOR, FIXED CARBON FILM	1K OHM 1/6 W 5% TA26	
		R7M2	LG0RD2200F608	RESISTOR, FIXED CARBON FILM	220 OHM 1/6 W 5% TA26	
		R7M3	LG0RD1001F608	RESISTOR, FIXED CARBON FILM	1K OHM 1/6 W 5% TA26	
		R7M5	LG0RD2200F608	RESISTOR, FIXED CARBON FILM	220 OHM 1/6 W 5% TA26	
		R901	LG0RD0752F608	RESISTOR, FIXED CARBON FILM	75 OHM 1/6 W 5.00% TA26	
		R902	LG0RD0752F608	RESISTOR, FIXED CARBON FILM	75 OHM 1/6 W 5.00% TA26	
		R903	LG0RD3901F608	RESISTOR, FIXED CARBON FILM	3.9K OHM 1/6 W 5% TA26	
		R904	LG0RD4702F608	RESISTOR, FIXED CARBON FILM	47K OHM 1/6 W 5% TA26	
		R905	LG0RD5600F608	RESISTOR, FIXED CARBON FILM	560 OHM 1/6 W 5% TA26	
		R906	LG0RD5600F608	RESISTOR, FIXED CARBON FILM	560 OHM 1/6 W 5% TA26	
		R943	LG0RD1501F608	RESISTOR, FIXED CARBON FILM	1.5K OHM 1/6 W 5% TA26	
		R964	LG0RD8200F608	RESISTOR, FIXED CARBON FILM	820 OHM 1/6 W 5% TA26	
		R965	LG0RD1001F608	RESISTOR, FIXED CARBON FILM	1K OHM 1/6 W 5% TA26	
		R9M1	LG0RD4702F608	RESISTOR, FIXED CARBON FILM	47K OHM 1/6 W 5% TA26	
		R9M2	LG0RD3901F608	RESISTOR, FIXED CARBON FILM	3.9K OHM 1/6 W 5% TA26	
		R9M3	LG0RD4702F608	RESISTOR, FIXED CARBON FILM	47K OHM 1/6 W 5% TA26	
		R9M4	LG0RD3901F608	RESISTOR, FIXED CARBON FILM	3.9K OHM 1/6 W 5% TA26	
		RC501	LG6712R1938GB	REMOTE CONTROLLER RECEIVER	TSOP2238WE1 VISHAY 37.9KHZ 19M	
		ES501	LG4931R-0050C	HOLDER ASSEMBLY	END (DI)	
		ES502	LG4931R-0050C	HOLDER ASSEMBLY	END (DI)	
	⚠	IC102	LG657-062B	SENSOR	PC123Y PHOTO-COUPLER(SARPH)	ALTERNATE
	⚠	IC102	LG6500RDB010A	SENSOR	PC123YN2 SHARP PHOTOCOUPLER	ALTERNATE
	⚠	IC102	LG657-063A	SENSOR	LTV-817B, PHOTO COUPLER(LITEON)	
		RS501	LG6500RAB003A	SENSOR	SG-260 KODENSHI D33 REEL SENSO	
		RS501	LG6500RAB007A	SENSOR	GP1S566V SHARP REEL SENSOR OF	ALTERNATE
		RS502	LG6500RAB003A	SENSOR	SG-260 KODENSHI D33 REEL SENSO	
		RS502	LG6500RAB007A	SENSOR	GP1S566V SHARP REEL SENSOR OF	ALTERNATE
		CS501	LG6600M000002	SWITCH, PUSH	MPU11810MLB0 MIC DC 5V 1MA D-3	
		MS501	LG6600JB8005B	SWITCH, MODE	NON 5V 1MA VERTICAL -G	
		MS501	LG6600JB8005C	SWITCH, MODE	MMS00721ZMB0 MIC 5VDC 1MA D-35	ALTERNATE
		SW5T1	LG556-213C	SWITCH, DETECTOR	THVV951BAA POSTECH DC 12 V 5-0	
		SW5T10	LG556-213C	SWITCH, DETECTOR	THVV951BAA POSTECH DC 12 V 5-0	
		SW5T11	LG556-213C	SWITCH, DETECTOR	THVV951BAA POSTECH DC 12 V 5-0	
		SW5T12	LG556-213C	SWITCH, DETECTOR	THVV951BAA POSTECH DC 12 V 5-0	
		SW5T13	LG556-213C	SWITCH, DETECTOR	THVV951BAA POSTECH DC 12 V 5-0	
		SW5T4	LG556-213C	SWITCH, DETECTOR	THVV951BAA POSTECH DC 12 V 5-0	
		SW5T5	LG556-213C	SWITCH, DETECTOR	THVV951BAA POSTECH DC 12 V 5-0	
		SW5T6	LG556-213C	SWITCH, DETECTOR	THVV951BAA POSTECH DC 12 V 5-0	
		SW5T7	LG556-213C	SWITCH, DETECTOR	THVV951BAA POSTECH DC 12 V 5-0	
	⚠	T101	LG642-015G	TRANSFORMER, SMPS[COIL]	SJE-015G/SHT-015G SJ/SH/CS/LSE	
		TU701	LG6700PFPL06C	TUNER	TADC-U401D(UK, LGIT) LG INOTEK	
		X301	LG6202R2443AE	RESONATOR, CRYSTAL	HC49U SSANG TAE 4433709HZ 1	ALTERNATE
		X301	LG6202R2443AC	RESONATOR, CRYSTAL	HC49U BUBANG 4-433709MHZ 15	
		X301	LG6202R2443AG	RESONATOR, CRYSTAL	HC49U SSANGTAE 4-433709MHZ	ALTERNATE
		X501	LG6202R31001F	RESONATOR, CRYSTAL	HC-49S KEUMSEOK 10-0000MHZ 30P	ALTERNATE
		X501	LG6212AA2100C	RESONATOR, CRYSTAL	HC-49S BUBANG 10MHZ +/- 30 PPM	
		X502	LG529-001K	RESONATOR, CRYSTAL	- SEIKO 32-768KHZ --	ALTERNATE
		X502	LG6202R-DA01A	RESONATOR, CRYSTAL	CFS-308 CITIZEN 32-768KHZ	
		ZD151	LG0DZ130009AB	DIODE, ZENERS	MTZ13C TP ROHM-K	
		ZD503	LG0DZ620009AB	DIODE, ZENERS	MTZ6.2C TP ROHM - - - - -	ALTERNATE

**VHR-M293E**

<b>S</b>	<b>AL</b>	<b>LOCA. NO.</b>	<b>PART NO.</b>	<b>DESCRIPTION</b>	<b>SPECIFICATION</b>	<b>REMARKS</b>
		ZD503	LG0DZ620009AM	DIODE,ZENERS	UZ-6.2BSC 26MM PYUNG CHANG TP	


NOTES)  Warning  
Parts that are shaded are critical  
With respect to risk of fire or  
electrical shock.

# SECTION 5 REPLACEMENT PARTS LIST

SANYO MODEL : VHR-H793E

NSP : Not available as service parts.

RUN DATE :13-FEB-03

S	AL	LOCA. NO.	PART NO.	DESCRIPTION	SPECIFICATION	REMARKS
<b>*** INDIVIDUAL PARTS ***</b>						
		250	LG3110R-0223G	CASE	VCR - TOP(0128 A288G SIDE SCRE	
		260	LG3210R-0023B	FRAME	MAIN (VII-PJT, 60HR)	NSP
		300	LG6410RBHV02C	POWER CORD	MP5005SC/HO3VVH2-F VOLEX BSI 1	
		330	LG3550R-0210A	COVER	BOTTOM(LARGE)	
		452	LG353-051A	SCREW	SPECIAL	
		457	LG353-051E	SCREW	SPECIAL (3X12)	
		462	LG353-136D	SCREW,DRAWING	+ 2 D4.0 L12.5 MSWR3/FN	
<b>*** PACKING ACCESSORY ***</b>						
		801	LG3835RP0090P	INSTRUCTION ASSEMBLY	VCR FCY901NI.NA4USS	
		802	LG3890R-H537F	BOX(CARTON)	FCY901NI NA4USS SW3-A 0.858 3	
		803	LG3920R-0067A	PACKING	AF999NS 0.02 65 EPS 12 1190 23	
		804	LG292-053A	BAG	SOFT(VCP)	NSP
		808	LG534-002C	BATTERY,MANGANESE	AAM UM-3 SEOTONG 1-5 V - LOL 1	NSP
		810	LG6851RP0003A	CABLE ASSY,RF	CABLE ASSY,RF/SCART/RCA USING	
<b>*** REMOTE CONTROLLER ***</b>						
		900	LG6711R1P043F	REMOTE CONTROLLER ASSEMBLY	N7 FCY201P NA6SSS SANYO W/O SH	
		910	LG3550R-0454A	COVER	BATTERY(N7 HIPS 60HR 89991)	
<b>*** PANEL ASSEMBLY , FRONT ***</b>						
		A43	LG3721R-F311E	PANEL ASSEMBLY,FRONT	VCR FCY901NI NA4USS FRONT(VHR-	
		280	LG3720R-F701B	PANEL,VIDEO	VCR FCY200 MOLD FRONT(B589G)	NSP
		283	LG3580R-V019G	DOOR,CASE	VCR FCY901NI NA4USS MOLD CST(H	
		284	LG442-681A	SPRING	DOOR	
<b>*** DECK ASSEMBLY , VIDEO ***</b>						
		A00	LG6721RF0751B	DECK ASSEMBLY,VIDEO	D35(M) DI (4HF, PAL, AHC(O), B	NSP
		A01	LG6723R-0403C	DRUM(CIRC) ASSEMBLY	D35-6CH PAL (8P6C)	
		A03	LG4261R-0025A	ARM ASSY	CLEANER	
		A04	LG4811RF0038A	BRACKET ASSEMBLY	L/D(S)	
		A04	LG4811RF0038B	BRACKET ASSEMBLY	L/D(M) - DI	ALTERNATR
		A11	LG4471R-0005A	GEAR ASSY	P3	
		A12	LG4471R-0004A	GEAR ASSY	P2	
		A21	LG4931R-0047A	HOLDER ASSY	CST	
		A22	LG4471R-0006A	GEAR ASSY	RACK F/L	
		A23	LG4261R-0023A	ARM ASSY	F/L	
		A24	LG4510R-0046A	LEVER	ASSY SWITCH	
		001	LG6723R-0306C	DRUM(CIRC) ASSEMBLY	SUB D35-6CH (8P6C)	NSP
		002	LG4680R-B005A	MOTOR(MECH)	DRUM I2OAL05 SEJIN-SANKYO ICLE	
		002	LG4680R-B003B	MOTOR(MECH)	DRUM VH4301 KUMAGAYA DRUM MOTO	ALTERNATR
		002	LG4680R-B007A	MOTOR(MECH)	DRUM MDVC-035AA LGIT FOR D-35,	ALTERNATR
		002A	LG5202R00002C	BRUSH,CARBON	ASSY D33 (TIP+2 SPRING) 1.4,	
		003	LG4930R-0284A	HOLDER	FPC(6CH)	
		004	LG5006R-0034A	CAP	FPC	
		006	LG4580R-0004A	ROLLER	CLEANER	NSP
		007	LG4260R-0039A	ARM	CLEANER	NSP
		008	LG6850R-HG18Z	CABLE,FLAT	P=1.25 FFC UL2896(0.05X0.8) 7	
		009	LG4260R-0038A	ARM	T/UP(D35)	
		010	LG4810R-0125A	BRACKET	CHASSIS	
		011	LG4261R-0022A	ARM ASSY	TENSION(D35)	

VHR-H793E

S	AL	LOCA. NO.	PART NO.	DESCRIPTION	SPECIFICATION	REMARKS
		012	LG3041R-0037A	BASE ASSY	P2	
		013	LG3041R-0038A	BASE ASSY	P3	
		014	LG3041R-0039A	BASE ASSY	P4	
		015	LG5870R-0005A	OPENER	LID(D35)	
		016	LG3041R-0036A	BASE ASSEMBLY	A/C HEAD (ALPS)	
		016	LG3041R-0036B	BASE ASSEMBLY	A/C HEAD (TDK)	
		017	LG4408R-0003A	REEL	S	
		018	LG4970R-0140A	SPRING	COIL RS D35	
		019	LG4421R-0008A	BRAKE ASSEMBLY	RS	
		020	LG4970R-0128A	SPRING	COIL D35 (TB)	
		021	LG4421R-0006A	BRAKE ASSY	T	
		022	LG6520D00001A	HEAD(CIRC)	D35 FE TDK FE HEAD	ALTERNATR
		022	LG6520D00002A	HEAD(CIRC)	D35 FE ST FE HEAD	
		023	LG3040R-0057A	BASE	LOADING	
		024	LG4261R-0024A	ARM ASSEMBLY	IDLER (H)	
		025	LG4810R-0118A	BRACKET	L/D(S)	NSP
		026	LG4680R-D002A	MOTOR(MECH)	LOADING MDB2B66 SANKYO D35 ASP	NSP
		027	LG4470R-0093A	GEAR	WHEEL	NSP
		028	LG4408R-0004A	REEL	T	
		029	LG4261R-0019A	ARM ASSEMBLY	DECK/MECHA PINCH	
		029	LG4261R-0019B	ARM ASSEMBLY	PINCH	NSP
		030	LG4510R-0043A	LEVER	T/UP	
		031	LG4970R-0123A	SPRING	COIL TENSION(D35)	
		032	LG3141R-0040A	CHASSIS ASSY	D35	NSP
		051	LG4400R-0005A	BELT	CAPSTAN	
		052	LG4680R-A006A	MOTOR(MECH)	CAPSTAN MCV-035AA LGIT BLDC 3	ALTERNATR
		052	LG4680R-A007A	MOTOR(MECH)	CAPSTAN F2QVB06 SANKYO D35 ASR	
		052	LG4680R-A008A	MOTOR(MECH)	CAPSTAN SAMSUNG DMVCMC09L D35	ALTERNATR
		052A	LG4980R-0023A	SUPPORTER	CAPSTAN(D35)	
		054	LG4470R-0100A	GEAR	RACK F/L	
		054A	LG4970R-0124B	SPRING	COIL D35 (RACK F/L)	
		055	LG4470R-0097A	GEAR	DRIVE(D35)	
		056	LG4470R-0096A	GEAR	CAM(D35)	
		058	LG4421R-0007A	BRAKE ASSY	CAPSTAN	
		060	LG4510R-0040A	LEVER	F/R(D35)	
		061	LG4265R-0005A	CLUTCH ASSEMBLY	D35 (M)	
		064	LG4470R-0098A	GEAR	SECTOR(D35)	
		065	LG4261R-0021A	ARM ASSY	P3	NSP
		066	LG4970R-0122A	SPRING	COIL D35	NSP
		067	LG4470R-0095A	GEAR	P3	NSP
		068	LG4470R-0094A	GEAR	P2	NSP
		069	LG4970R-0122A	SPRING	COIL D35	NSP
		070	LG4261R-0020A	ARM ASSY	P2	NSP
		076	LG4510R-0047A	LEVER	SPRING	
		077	LG3300R-M116A	PLATE	SLIDER	
		078	LG4510R-0041A	LEVER	TENSION	
		079	LG3040R-0056A	BASE	TENSION(D35)	
		100	LG3301R-M022A	PLATE ASSEMBLY	TOP	
		100A	LG3300R-0184A	PLATE	GND	
		100B	LG3300R-M118A	PLATE	TOP(D35)	
		102	LG4970R-0130A	SPRING	COIL D35 (STOPPER)	
		103	LG4930R-0276A	HOLDER	SIDE(L)	NSP
		105	LG4930R-0274A	HOLDER	CST	NSP
		106	LG4930R-0275A	HOLDER	SIDE(R)	NSP
		107	LG4510R-0044A	LEVER	STOPPER	NSP
		109	LG5870R-0004A	OPENER	DOOR	
		110	LG4260R-0035A	ARM	F/L(L)	NSP
		112	LG3070R-0002A	BODY	F/L	NSP
		113	LG4970R-0127A	SPRING	COIL D35 (F/L(R))	NSP

VHR-H793E

S	AL	LOCA. NO.	PART NO.	DESCRIPTION	SPECIFICATION	REMARKS
		114	LG4260R-0036A	ARM	F/L(R)	NSP
		115	LG4510R-0042A	LEVER	SWITCH	
		116	LG4970R-0138A	SPRING	COIL D35 SWITCH	
		117	LG3300R-M137A	PLATE	SPRING CST	
		401	LG1MEC0261518	SCREW MACHINE,PAN HEAD SPR W	#NAME?	
		402	LG1MPC0261418	SCREW MACHINE,PAN HEAD	D 2.6 L 4.0 MSWR3/FZY	
		405	LG1SZZR-0031B	SCREW,DRAWING	+ 1 D2.6 L5.8 SWRCH16A/FZY TAP	
		406	LG1MEC0302018	PAN HEAD MACHINE SCREW S/W +	D 3.0 L 6.0 MSWR3/FZY	
		409	LG1SZZR-0032B	SCREW,DRAWING	+ 1 D2.6 L5.0 SWRCH18A/FZY TAP	
		410	LG1APF0262218	SCREW TAP TITE(B),PAN HEAD	#NAME?	
		517	LG1WZZR-0004D	WASHER	STOPPER	
		518	LG1WZZR-0004A	WASHER	STOPPER	
<b>*** BOARD ASSEMBLY , MAIN PAL SCART ***</b>						
		A46	LG3501R-7805J	BOARD ASSEMBLY	VCR SANYO PAL SCART	
		275	LG4930R-0102A	HOLDER	LED	
		320	LG3720R-D020C	PANEL	VCR - DISTRIBUTOR (PAL-2SCART	
		323	LG3111R-0089C	CASE ASSEMBLY	VCR - PRE-AMP (02-PAL)	
⚠		C101	LG624-088K	CAPACITOR	ECQU2A104ML 0.1UF/275VAC 7.5 T	ALTERNATE
⚠		C101	LG624-088L	CAPACITOR,DRAWING	435D SUNIL ELECTRONICS 0.1UF/2	
⚠		C102	LG624-088K	CAPACITOR	ECQU2A104ML 0.1UF/275VAC 7.5 T	ALTERNATE
⚠		C102	LG624-088L	CAPACITOR,DRAWING	435D SUNIL ELECTRONICS 0.1UF/2	
		C103	LG0CE476CU611	CAPACITOR,AL.ELECTROLYTIC	47UF SHL,SD 400V M FL BK7.5	
		C105	LG0CQ1031Y519	CAPACITOR,POLYESTER	0.01UF D 630V K PE NI TP	
		C106	LG624-087B	CAPACITOR	HIGH-VOL 100P/1KV SMPS SAMHWA	
		C109	LG0CE1064K638	CAPACITOR,FIXED ELECTROLYTIC	10M SRA 50V M FM5 TP(5)	
⚠		C112	LG0CG3320U630	CAPACITOR,SEMI CERAMIC	3300 PF 400V M E R(NK,AD,SD)	
⚠		C112	LG0CG3320U632	CAPACITOR,FIXED CERAMIC(TEMP.C	3300PF D 400V 20% R Y ( N 800	ALTERNATE
⚠		C113	LG0CG3310U510	CAPACITOR,FIXED CERAMIC(TEMP.C	330PF D 400V 10% B(Y5P) R	
		C114	LG0CQ4732K409	CAPACITOR,FIXED FILM	0.047UF S 50V J PE TP	
		C115	LG624-085D	CAPACITOR	CE 47UF/50V KME (SMPS)	
		C116	LG0CE108BF630	CAPACITOR,FIXED ELECTROLYTIC	1000UF KME 16V M FM5 BULK	
		C117	LG624-082H	CAPACITOR	CE 1000UF/10V SHL(10*12.5)T/P	
		C120	LG0CE477BH630	CAPACITOR,AL.ELECTROLYTIC	470UF KME TYPE 25V M FM5 BULK	
		C121	LG0CE227CH618	CAPACITOR,FIXED ELECTROLYTIC	220UF SHL,SD 25V 20% FL TP 5	
		C123	LG0CE337BJ610	CAPACITOR,AL.ELECTROLYTIC	330UF KME TYPE 35V M FL BULK	
		C127	LG0CN223AK948	CAPACITOR,TUBULAR(HIGH DIELEC)	0.022UF 50V Z F TA26 S	
		C135	LG0CN4710K518	CAPACITOR TUBULA(HIGH DIELE)	470P 50V K B TA26	
		C153	LG0CE1064F638	CAPACITOR,ELECTROLYTIC	10M SRA 16V M FM5 TP(5)	
		C190	LG0CE1064F638	CAPACITOR,ELECTROLYTIC	10M SRA 16V M FM5 TP(5)	
		C301	LG0CE4754K638	CAPACITOR,FIXED ELECTROLYTIC	4.7UF SRA,SS 50V 20% FM5 TP 5	
		C302	LG0CE2264F638	CAPACITOR,ELECTROLYTIC	22M SRA 16V M FM5 TP(5)	
		C303	LG0CN1220F668	CAPACITOR TUBULA(HIGH DIELE)	1200P 16V M X TA26	
		C304	LG0CE4764F638	CAPACITOR,ELECTROLYTIC	47M SRA/SS 16V M FM5 TP(5)	
		C305	LG0CN1030F678	CAPACITOR TUBULA(HIGH DIELE)	0.01M 16V M Y TA26	
		C306	LG0CN1220F668	CAPACITOR TUBULA(HIGH DIELE)	1200P 16V M X TA26	
		C307	LG0CE1054K638	CAPACITOR,ELECTROLYTIC	1.0M SRA/SS50V M FM5 TP(5)	
		C308	LG0CQ1532K409	CAPACITOR,FIXED FILM	0.015UF S 50V J PE TP	
		C309	LG0CN1210K518	CAPACITOR TUBULA(HIGH DIELE)	120P 50V K B TA26	
		C310	LG0CQ1032K409	CAPACITOR,POLYESTER(MYLAR)	0.01UF S 50V J PE TP	
		C311	LG0CE4765K618	CAPACITOR,AL.ELECTROLYTIC	47UF SR,SV 50V M FL TP 5	
		C312	LG0CN1030F678	CAPACITOR TUBULA(HIGH DIELE)	0.01M 16V M Y TA26	
		C313	LG0CQ2232L559	CAPACITOR,POLYESTER	0.022UF S 63V K PP NI TP5	
		C314	LG0CE2264F638	CAPACITOR,ELECTROLYTIC	22M SRA 16V M FM5 TP(5)	
		C315	LG0CE2253K636	CAPACITOR,FIXED ELECTROLYTIC	2.2UF SRE,SE 50V 20% FM5 BP(D)	
		C316	LG0CE1064F638	CAPACITOR,ELECTROLYTIC	10M SRA 16V M FM5 TP(5)	
		C317	LG0CN1030F678	CAPACITOR TUBULA(HIGH DIELE)	0.01M 16V M Y TA26	
		C318	LG0CE1054K638	CAPACITOR,ELECTROLYTIC	1.0M SRA/SS50V M FM5 TP(5)	
		C319	LG0CQ1032K409	CAPACITOR,POLYESTER(MYLAR)	0.01UF S 50V J PE TP	
		C320	LG0CE1054K638	CAPACITOR,ELECTROLYTIC	1.0M SRA/SS50V M FM5 TP(5)	

VHR-H793E

S	AL	LOCA. NO.	PART NO.	DESCRIPTION	SPECIFICATION	REMARKS
		C321	LG0CX6800K408	CAPACITOR TUBULA(T.C)	68P 50V J SL TA26	
		C322	LG0CE1064F638	CAPACITOR,ELECTROLYTIC	10M SRA 16V M FM5 TP(5)	
		C323	LG0CE1064F638	CAPACITOR,ELECTROLYTIC	10M SRA 16V M FM5 TP(5)	
		C324	LG0CE4754K638	CAPACITOR,FIXED ELECTROLYTIC	4.7UF SRA,SS 50V 20% FM5 TP 5	
		C325	LG0CE1064F638	CAPACITOR,ELECTROLYTIC	10M SRA 16V M FM5 TP(5)	
		C326	LG0CN1030F678	CAPACITOR TUBULA(HIGH DIELE)	0.01M 16V M Y TA26	
		C327	LG0CE1054K638	CAPACITOR,ELECTROLYTIC	1.0M SRA/SS50V M FM5 TP(5)	
		C328	LG0CN1030F678	CAPACITOR TUBULA(HIGH DIELE)	0.01M 16V M Y TA26	
		C329	LG0CN1030F678	CAPACITOR TUBULA(HIGH DIELE)	0.01M 16V M Y TA26	
		C330	LG0CN1040K948	CAPACITOR,FIXED TUBULAR(High d	0.1UF D 50V 80%,-20% F(Y5V) TA	
		C331	LG0CE1064F638	CAPACITOR,ELECTROLYTIC	10M SRA 16V M FM5 TP(5)	
		C333	LG0CE4764F638	CAPACITOR,ELECTROLYTIC	47M SRA/SS 16V M FM5 TP(5)	
		C334	LG0CN4730K948	CAPACITOR,FIXED TUBULAR(High d	0.047UF D 50V 80%,-20% F(Y5V)	
		C335	LG0CN1030F678	CAPACITOR TUBULA(HIGH DIELE)	0.01M 16V M Y TA26	
		C336	LG0CE4764F638	CAPACITOR,ELECTROLYTIC	47M SRA/SS 16V M FM5 TP(5)	
		C337	LG0CE1054K638	CAPACITOR,ELECTROLYTIC	1.0M SRA/SS50V M FM5 TP(5)	
		C338	LG0CN4730K948	CAPACITOR,FIXED TUBULAR(High d	0.047UF D 50V 80%,-20% F(Y5V)	
		C339	LG0CE1054K638	CAPACITOR,ELECTROLYTIC	1.0M SRA/SS50V M FM5 TP(5)	
		C340	LG0CN4730K948	CAPACITOR,FIXED TUBULAR(High d	0.047UF D 50V 80%,-20% F(Y5V)	
		C341	LG0CN223AK948	CAPACITOR,TUBULAR(HIGH DIELEC)	0.022UF 50V Z F TA26 S	
		C342	LG0CN1040K948	CAPACITOR,FIXED TUBULAR(High d	0.1UF D 50V 80%,-20% F(Y5V) TA	
		C343	LG0CN4730K948	CAPACITOR,FIXED TUBULAR(High d	0.047UF D 50V 80%,-20% F(Y5V)	
		C344	LG0CN1010K518	CAPACITOR,TUBULAR(HIGH DIELEC)	100P 50V K B TA26	
		C345	LG0CN3330K518	CAPACITOR,FIXED TUBULAR(High d	0.033UF 50V K B TA26	
		C346	LG0CE4764F638	CAPACITOR,ELECTROLYTIC	47M SRA/SS 16V M FM5 TP(5)	
		C347	LG0CE1054K638	CAPACITOR,ELECTROLYTIC	1.0M SRA/SS50V M FM5 TP(5)	
		C348	LG0CE1054K638	CAPACITOR,ELECTROLYTIC	1.0M SRA/SS50V M FM5 TP(5)	
		C349	LG0CE4764F638	CAPACITOR,ELECTROLYTIC	47M SRA/SS 16V M FM5 TP(5)	
		C353	LG0CE1054K638	CAPACITOR,ELECTROLYTIC	1.0M SRA/SS50V M FM5 TP(5)	
		C355	LG0CN1040K948	CAPACITOR,FIXED TUBULAR(High d	0.1UF D 50V 80%,-20% F(Y5V) TA	
		C356	LG0CE1054K638	CAPACITOR,ELECTROLYTIC	1.0M SRA/SS50V M FM5 TP(5)	
		C357	LG0CE1054K638	CAPACITOR,ELECTROLYTIC	1.0M SRA/SS50V M FM5 TP(5)	
		C358	LG0CX6800K408	CAPACITOR TUBULA(T.C)	68P 50V J SL TA26	
		C359	LG0CE1054K638	CAPACITOR,ELECTROLYTIC	1.0M SRA/SS50V M FM5 TP(5)	
		C360	LG0CN1040K948	CAPACITOR,FIXED TUBULAR(High d	0.1UF D 50V 80%,-20% F(Y5V) TA	
		C361	LG0CN223AK948	CAPACITOR,TUBULAR(HIGH DIELEC)	0.022UF 50V Z F TA26 S	
		C362	LG0CE1064F638	CAPACITOR,ELECTROLYTIC	10M SRA 16V M FM5 TP(5)	
		C363	LG0CN1030F678	CAPACITOR TUBULA(HIGH DIELE)	0.01M 16V M Y TA26	
		C364	LG0CE4764F638	CAPACITOR,ELECTROLYTIC	47M SRA/SS 16V M FM5 TP(5)	
		C365	LG0CE1064F638	CAPACITOR,ELECTROLYTIC	10M SRA 16V M FM5 TP(5)	
		C366	LG0CN1040K948	CAPACITOR,FIXED TUBULAR(High d	0.1UF D 50V 80%,-20% F(Y5V) TA	
		C367	LG0CN1040K948	CAPACITOR,FIXED TUBULAR(High d	0.1UF D 50V 80%,-20% F(Y5V) TA	
		C368	LG0CQ8224K409	CAPACITOR,FIXED FILM	0.0082UF TE 50V 5% PE TP5	
		C369	LG0CN1010K518	CAPACITOR,TUBULAR(HIGH DIELEC)	100P 50V K B TA26	
		C370	LG0CN8200K418	CAPACITOR TUBULA(HIGH DIELE)	82P 50V J B TA26	
		C371	LG0CN8200K418	CAPACITOR TUBULA(HIGH DIELE)	82P 50V J B TA26	
		C372	LG0CN8200K418	CAPACITOR TUBULA(HIGH DIELE)	82P 50V J B TA26	
		C373	LG0CN1040K948	CAPACITOR,FIXED TUBULAR(High d	0.1UF D 50V 80%,-20% F(Y5V) TA	
		C375	LG0CN1020K518	CAPACITOR TUBULA(HIGH DIELE)	1000P 50V K B TA26	
		C500	LG624-074A	CAPACITOR,DRAWING	SUPER CAP 0.047F/5.5V T/P S/S	
		C501	LG0CN1040K948	CAPACITOR,FIXED TUBULAR(High d	0.1UF D 50V 80%,-20% F(Y5V) TA	
		C502	LG0CE4764F638	CAPACITOR,ELECTROLYTIC	47M SRA/SS 16V M FM5 TP(5)	
		C503	LG0CE2274C638	CAPACITOR,ELECTROLYTIC	220M SRA 6.3V M FM5 TP(5)	
		C504	LG0CE2274C638	CAPACITOR,ELECTROLYTIC	220M SRA 6.3V M FM5 TP(5)	
		C505	LG0CE4764F638	CAPACITOR,ELECTROLYTIC	47M SRA/SS 16V M FM5 TP(5)	
		C506	LG0CN223AK948	CAPACITOR,TUBULAR(HIGH DIELEC)	0.022UF 50V Z F TA26 S	
		C508	LG0CN1030F678	CAPACITOR TUBULA(HIGH DIELE)	0.01M 16V M Y TA26	
		C509	LG0CC2200K415	CAPACITOR,CERAMIC(TEMP COMP)	22P 50V J NP0 TS	
		C510	LG0CE2274C638	CAPACITOR,ELECTROLYTIC	220M SRA 6.3V M FM5 TP(5)	



VHR-H793E

S	AL	LOCA. NO.	PART NO.	DESCRIPTION	SPECIFICATION	REMARKS
		C511	LG0CN1040K948	CAPACITOR,FIXED TUBULAR(High d	0.1UF D 50V 80%,-20% F(Y5V) TA	
		C512	LG0CN1020K518	CAPACITOR TUBULA(HIGH DIELE)	1000P 50V K B TA26	
		C513	LG0CN1020K518	CAPACITOR TUBULA(HIGH DIELE)	1000P 50V K B TA26	
		C514	LG0CC1200K415	CAPACITOR,FIXED CERAMIC(TEMP.C	12PF 2012 50V 5% NP0 TR	
		C515	LG0CC1500K415	CAPACITOR,CERAMIC(TEMP COMP)	15P 50V J NP0 TS	
		C516	LG0CN223AK948	CAPACITOR,TUBULAR(HIGH DIELEC)	0.022UF 50V Z F TA26 S	
		C518	LG0CN1030F678	CAPACITOR TUBULA(HIGH DIELE)	0.01M 16V M Y TA26	
		C519	LG0CN1040K948	CAPACITOR,FIXED TUBULAR(High d	0.1UF D 50V 80%,-20% F(Y5V) TA	
		C520	LG0CN1020K518	CAPACITOR TUBULA(HIGH DIELE)	1000P 50V K B TA26	
		C523	LG0CE2254K638	CAPACITOR,FIXED ELECTROLYTIC	2.2UF SRA,SS 50V 20% FM5 TP 5	
		C524	LG0CE4764F638	CAPACITOR,ELECTROLYTIC	47M SRA/SS 16V M FM5 TP(5)	
		C525	LG0CE2274C638	CAPACITOR,ELECTROLYTIC	220M SRA 6.3V M FM5 TP(5)	
		C526	LG0CE4764J638	CAPACITOR,AL.ELECTROLYTIC	47UF SRA,SS 35V M FM5 TP 5	
		C527	LG0CN2210K518	CAPACITOR TUBULA(HIGH DIELE)	220P 50V K B TA26	
		C533	LG0CN1020K518	CAPACITOR TUBULA(HIGH DIELE)	1000P 50V K B TA26	
		C534	LG0CE4754K638	CAPACITOR,FIXED ELECTROLYTIC	4.7UF SRA,SS 50V 20% FM5 TP 5	
		C535	LG0CE4754K638	CAPACITOR,FIXED ELECTROLYTIC	4.7UF SRA,SS 50V 20% FM5 TP 5	
		C543	LG0CN2220F668	CAPACITOR,TUBULAR(HIGH DIELEC)	2200P 16V M X TA26	
		C544	LG0CQ4732K409	CAPACITOR,FIXED FILM	0.047UF S 50V J PE TP	
		C545	LG0CN3330K518	CAPACITOR,FIXED TUBULAR(High d	0.033UF 50V K B TA26	
		C546	LG0CE4764J638	CAPACITOR,AL.ELECTROLYTIC	47UF SRA,SS 35V M FM5 TP 5	
		C547	LG0CN1030F678	CAPACITOR TUBULA(HIGH DIELE)	0.01M 16V M Y TA26	
		C551	LG0CQ3332K409	CAPACITOR,FIXED FILM	0.033UF S 50V J PE TP	
		C552	LG0CN1030F678	CAPACITOR TUBULA(HIGH DIELE)	0.01M 16V M Y TA26	
		C561	LG0CE2274C638	CAPACITOR,ELECTROLYTIC	220M SRA 6.3V M FM5 TP(5)	
		C564	LG0CN1020K518	CAPACITOR TUBULA(HIGH DIELE)	1000P 50V K B TA26	
		C567	LG0CN1020K518	CAPACITOR TUBULA(HIGH DIELE)	1000P 50V K B TA26	
		C570	LG0CC1500K415	CAPACITOR,CERAMIC(TEMP COMP)	15P 50V J NP0 TS	
		C571	LG0CC1500K415	CAPACITOR,CERAMIC(TEMP COMP)	15P 50V J NP0 TS	
		C575	LG0CN1020K518	CAPACITOR TUBULA(HIGH DIELE)	1000P 50V K B TA26	
		C576	LG0CC2700K415	CAPACITOR CERAMIC(TEMP COMP)	27P 50V J NP0 TP	
		C577	LG0CN223AK948	CAPACITOR,TUBULAR(HIGH DIELEC)	0.022UF 50V Z F TA26 S	
		C578	LG0CN2220F668	CAPACITOR,TUBULAR(HIGH DIELEC)	2200P 16V M X TA26	
		C581	LG0CN1030F678	CAPACITOR TUBULA(HIGH DIELE)	0.01M 16V M Y TA26	
		C582	LG0CN1030F678	CAPACITOR TUBULA(HIGH DIELE)	0.01M 16V M Y TA26	
		C583	LG0CN1040K948	CAPACITOR,FIXED TUBULAR(High d	0.1UF D 50V 80%,-20% F(Y5V) TA	
		C589	LG0CQ2232K409	CAPACITOR,FIXED FILM	0.022UF S 50V J PE TP	
		C596	LG0CN1040K948	CAPACITOR,FIXED TUBULAR(High d	0.1UF D 50V 80%,-20% F(Y5V) TA	
		C5A3	LG0CN1040K948	CAPACITOR,FIXED TUBULAR(High d	0.1UF D 50V 80%,-20% F(Y5V) TA	
		C5A4	LG0CN1030F678	CAPACITOR TUBULA(HIGH DIELE)	0.01M 16V M Y TA26	
		C5A5	LG0CE1054K638	CAPACITOR,ELECTROLYTIC	1.0M SRA/SS50V M FM5 TP(5)	
		C5G1	LG0CN1020K518	CAPACITOR TUBULA(HIGH DIELE)	1000P 50V K B TA26	
		C5G2	LG0CE1086C638	CAPACITOR,FIXED ELECTROLYTIC	1000000000 PF SMS,SG 6.3V M FM	
		C5G3	LG0CN1040K948	CAPACITOR,FIXED TUBULAR(High d	0.1UF D 50V 80%,-20% F(Y5V) TA	
		C5K1	LG0CN1040K948	CAPACITOR,FIXED TUBULAR(High d	0.1UF D 50V 80%,-20% F(Y5V) TA	
		C5R1	LG0CE3364F638	CAPACITOR,ELECTROLYTIC	33M SRA 16V M FM5 TP(5)	
		C5R2	LG0CN6810K518	CAPACITOR TUBULA(HIGH DIELE)	680P 50V K B TA26	
		C5S1	LG0CX4300K408	CAPACITOR TUBULA(T.C)	43P 50V J SL TA26	
		C5S3	LG0CN223AK948	CAPACITOR,TUBULAR(HIGH DIELEC)	0.022UF 50V Z F TA26 S	
		C701	LG0CE4754K638	CAPACITOR,FIXED ELECTROLYTIC	4.7UF SRA,SS 50V 20% FM5 TP 5	
		C704	LG0CE4764F638	CAPACITOR,ELECTROLYTIC	47M SRA/SS 16V M FM5 TP(5)	
		C705	LG0CN1030F678	CAPACITOR TUBULA(HIGH DIELE)	0.01M 16V M Y TA26	
		C706	LG0CE4775C618	CAPACITOR,AL.ELECTROLYTIC	470UF SR,SV 6.3V M FL TP 5	
		C707	LG0CN1030F678	CAPACITOR TUBULA(HIGH DIELE)	0.01M 16V M Y TA26	
		C710	LG0CX6800K408	CAPACITOR TUBULA(T.C)	68P 50V J SL TA26	
		C711	LG0CX3300K408	CAPACITOR TUBULA(T.C)	33P 50V J SL TA26	
		C712	LG0CX5R60K508	CAPACITOR TUBULA(T.C)	5.6PF 50V K SL TA26	
		C713	LG0CE4764F638	CAPACITOR,ELECTROLYTIC	47M SRA/SS 16V M FM5 TP(5)	
		C714	LG0CN1030F678	CAPACITOR TUBULA(HIGH DIELE)	0.01M 16V M Y TA26	

VHR-H793E

S	AL	LOCA. NO.	PART NO.	DESCRIPTION	SPECIFICATION	REMARKS
		C751	LG0CE4764F638	CAPACITOR,ELECTROLYTIC	47M SRA/SS 16V M FM5 TP(5)	
		C752	LG0CN1030F678	CAPACITOR TUBULA(HIGH DIELE)	0.01M 16V M Y TA26	
		C753	LG0CX5600K408	CAPACITOR,TUBULAR(T.C)	56P 50V J SL TA26	
		C754	LG0CX5600K408	CAPACITOR,TUBULAR(T.C)	56P 50V J SL TA26	
		C755	LG0CE4764F638	CAPACITOR,ELECTROLYTIC	47M SRA/SS 16V M FM5 TP(5)	
		C756	LG0CN1030F678	CAPACITOR TUBULA(HIGH DIELE)	0.01M 16V M Y TA26	
		C757	LG0CE4764F638	CAPACITOR,ELECTROLYTIC	47M SRA/SS 16V M FM5 TP(5)	
		C758	LG0CE1064F638	CAPACITOR,ELECTROLYTIC	10M SRA 16V M FM5 TP(5)	
		C759	LG0CE1064F638	CAPACITOR,ELECTROLYTIC	10M SRA 16V M FM5 TP(5)	
		C760	LG0CN1030F678	CAPACITOR TUBULA(HIGH DIELE)	0.01M 16V M Y TA26	
		C761	LG0CN1030F678	CAPACITOR TUBULA(HIGH DIELE)	0.01M 16V M Y TA26	
		C764	LG0CN3920F668	CAPACITOR TUBULA(HIGH DIELE)	3900P 16V M X TA26	
		C765	LG0CN1520F668	CAPACITOR,TUBULAR(HIGH DIELEC)	1500P 16V M X TA26	
		C766	LG0CE3354K638	CAPACITOR,FIXED ELECTROLYTIC	3.3UF SRA,SS 50V 20% FM5 TP 5	
		C769	LG0CE1064F638	CAPACITOR,ELECTROLYTIC	10M SRA 16V M FM5 TP(5)	
		C770	LG0CN1020K518	CAPACITOR TUBULA(HIGH DIELE)	1000P 50V K B TA26	
		C771	LG0CN1030F678	CAPACITOR TUBULA(HIGH DIELE)	0.01M 16V M Y TA26	
		C772	LG0CC0500K015	CAPACITOR,CERAMIC(TEMP COMP)	5P 50V C NP0 TR	
		C773	LG0CC0800K015	CAPACITOR CERAMIC(TEMP COMP)	8P 50V C NP0 TS	
		C790	LG0CN1030F678	CAPACITOR TUBULA(HIGH DIELE)	0.01M 16V M Y TA26	
		C7M2	LG0CE1064F638	CAPACITOR,ELECTROLYTIC	10M SRA 16V M FM5 TP(5)	
		C7M3	LG0CX2700K408	CAPACITOR TUBULA(T.C)	27P 50V J SL TA26	
		C7M6	LG0CX2700K408	CAPACITOR TUBULA(T.C)	27P 50V J SL TA26	
		C805	LG0CN1040K948	CAPACITOR,FIXED TUBULAR(High d	0.1UF D 50V 80%,-20% F(Y5V) TA	
		C806	LG0CE4754K638	CAPACITOR,FIXED ELECTROLYTIC	4.7UF SRA,SS 50V 20% FM5 TP 5	
		C807	LG0CE4754K638	CAPACITOR,FIXED ELECTROLYTIC	4.7UF SRA,SS 50V 20% FM5 TP 5	
		C808	LG0CN1040K948	CAPACITOR,FIXED TUBULAR(High d	0.1UF D 50V 80%,-20% F(Y5V) TA	
		C809	LG0CN1040K948	CAPACITOR,FIXED TUBULAR(High d	0.1UF D 50V 80%,-20% F(Y5V) TA	
		C810	LG0CE1064F638	CAPACITOR,ELECTROLYTIC	10M SRA 16V M FM5 TP(5)	
		C811	LG0CE1064F638	CAPACITOR,ELECTROLYTIC	10M SRA 16V M FM5 TP(5)	
		C813	LG0CE1064F638	CAPACITOR,ELECTROLYTIC	10M SRA 16V M FM5 TP(5)	
		C814	LG0CE1064F638	CAPACITOR,ELECTROLYTIC	10M SRA 16V M FM5 TP(5)	
		C817	LG0CE1064F638	CAPACITOR,ELECTROLYTIC	10M SRA 16V M FM5 TP(5)	
		C818	LG0CE4754K638	CAPACITOR,FIXED ELECTROLYTIC	4.7UF SRA,SS 50V 20% FM5 TP 5	
		C819	LG0CE1064F638	CAPACITOR,ELECTROLYTIC	10M SRA 16V M FM5 TP(5)	
		C820	LG0CQ6822K409	CAPACITOR,POLYESTER(MYLAR)	6800PF S 50V J PE TP	
		C821	LG0CE4764F638	CAPACITOR,ELECTROLYTIC	47M SRA/SS 16V M FM5 TP(5)	
		C822	LG0CE1064F638	CAPACITOR,ELECTROLYTIC	10M SRA 16V M FM5 TP(5)	
		C823	LG0CE1064F638	CAPACITOR,ELECTROLYTIC	10M SRA 16V M FM5 TP(5)	
		C824	LG0CE1064F638	CAPACITOR,ELECTROLYTIC	10M SRA 16V M FM5 TP(5)	
		C825	LG0CE4764F638	CAPACITOR,ELECTROLYTIC	47M SRA/SS 16V M FM5 TP(5)	
		C826	LG0CQ6822K409	CAPACITOR,POLYESTER(MYLAR)	6800PF S 50V J PE TP	
		C827	LG0CE1064F638	CAPACITOR,ELECTROLYTIC	10M SRA 16V M FM5 TP(5)	
		C828	LG0CE4764F638	CAPACITOR,ELECTROLYTIC	47M SRA/SS 16V M FM5 TP(5)	
		C829	LG0CN1030F678	CAPACITOR TUBULA(HIGH DIELE)	0.01M 16V M Y TA26	
		C830	LG0CN1040K948	CAPACITOR,FIXED TUBULAR(High d	0.1UF D 50V 80%,-20% F(Y5V) TA	
		C831	LG0CN1030F678	CAPACITOR TUBULA(HIGH DIELE)	0.01M 16V M Y TA26	
		C832	LG0CE4764F638	CAPACITOR,ELECTROLYTIC	47M SRA/SS 16V M FM5 TP(5)	
		C835	LG0CE4744K638	CAPACITOR,ELECTROLYTIC	0.47M SRA 50V M FM5 TP(5)	
		C8R1	LG0CN1020K518	CAPACITOR TUBULA(HIGH DIELE)	1000P 50V K B TA26	
		C8R2	LG0CN1020K518	CAPACITOR TUBULA(HIGH DIELE)	1000P 50V K B TA26	
		C901	LG0CN1020K518	CAPACITOR TUBULA(HIGH DIELE)	1000P 50V K B TA26	
		C902	LG0CE477CF638	CAPACITOR,AL.ELECTROLYTIC	470UF SHL TYPE 16V M FM5 TP 5	
		C903	LG0CN1020K518	CAPACITOR TUBULA(HIGH DIELE)	1000P 50V K B TA26	
		C904	LG0CN1020K518	CAPACITOR TUBULA(HIGH DIELE)	1000P 50V K B TA26	
		C909	LG0CN1040K948	CAPACITOR,FIXED TUBULAR(High d	0.1UF D 50V 80%,-20% F(Y5V) TA	
		C911	LG0CN1020K518	CAPACITOR TUBULA(HIGH DIELE)	1000P 50V K B TA26	
		C912	LG0CE477CF638	CAPACITOR,AL.ELECTROLYTIC	470UF SHL TYPE 16V M FM5 TP 5	
		C914	LG0CN1020K518	CAPACITOR TUBULA(HIGH DIELE)	1000P 50V K B TA26	

VHR-H793E

S	AL	LOCA. NO.	PART NO.	DESCRIPTION	SPECIFICATION	REMARKS
		C915	LG0CN1040K948	CAPACITOR, FIXED TUBULAR(High d	0.1UF D 50V 80%,-20% F(Y5V) TA	
		C917	LG0CX2700K408	CAPACITOR TUBULA(T.C)	27P 50V J SL TA26	
		C920	LG0CN1040K948	CAPACITOR, FIXED TUBULAR(High d	0.1UF D 50V 80%,-20% F(Y5V) TA	
		C921	LG0CN1040K948	CAPACITOR, FIXED TUBULAR(High d	0.1UF D 50V 80%,-20% F(Y5V) TA	
		C956	LG0CE1054K638	CAPACITOR, ELECTROLYTIC	1.0M SRA/SS50V M FM5 TP(5)	
		C957	LG0CX2700K408	CAPACITOR TUBULA(T.C)	27P 50V J SL TA26	
		C960	LG0CN1040K948	CAPACITOR, FIXED TUBULAR(High d	0.1UF D 50V 80%,-20% F(Y5V) TA	
		C961	LG0CE1064F638	CAPACITOR, ELECTROLYTIC	10M SRA 16V M FM5 TP(5)	
		FL301	LG633-032K	COIL, IFT	BIAC OSC, 1CHIP 5V(KS-75M) KWAN	
		L103	LG633-088G	COIL, CHOKE	CHOCK(22MH) 5MM TOKO TP	
		L104	LG633-088G	COIL, CHOKE	CHOCK(22MH) 5MM TOKO TP	
		L301	LG0LR0102J0N5	INDUCTOR, RADIAL LEAD	10UH 5% TP 3X5 TR5	
		L301	LG0LR0102K0P5	INDUCTOR, RADIAL LEAD	LF7.5N OEL 10UH 10% TP 4.8X4.0	ALTERNATE
		L301	LGGLR0102K0P5	INDUCTOR, RADIAL LEAD	LF7.5N OEL 10UH 10% TP 4.8X4.0	ALTERNATE
		L302	LG0LR1000K035	INDUCTOR RADIAL LEAD	100M K 6X6 L5 TP	
		L303	LG0LR0102J0N5	INDUCTOR, RADIAL LEAD	10UH 5% TP 3X5 TR5	
		L303	LG0LR0102K0P5	INDUCTOR, RADIAL LEAD	LF7.5N OEL 10UH 10% TP 4.8X4.0	ALTERNATE
		L303	LGGLR0102K0P5	INDUCTOR, RADIAL LEAD	LF7.5N OEL 10UH 10% TP 4.8X4.0	ALTERNATE
		L304	LG0LR0102J0N5	INDUCTOR, RADIAL LEAD	10UH 5% TP 3X5 TR5	
		L304	LGGLR0102K0P5	INDUCTOR, RADIAL LEAD	LF7.5N OEL 10UH 10% TP 4.8X4.0	ALTERNATE
		L304	LG0LR0102K0P5	INDUCTOR, RADIAL LEAD	LF7.5N OEL 10UH 10% TP 4.8X4.0	ALTERNATE
		L305	LG0LR1000K035	INDUCTOR RADIAL LEAD	100M K 6X6 L5 TP	
		L307	LG0LR0102J0N5	INDUCTOR, RADIAL LEAD	10UH 5% TP 3X5 TR5	
		L307	LG0LR0102K0P5	INDUCTOR, RADIAL LEAD	LF7.5N OEL 10UH 10% TP 4.8X4.0	ALTERNATE
		L307	LGGLR0102K0P5	INDUCTOR, RADIAL LEAD	LF7.5N OEL 10UH 10% TP 4.8X4.0	ALTERNATE
		L501	LG0LA0122K018	INDUCTOR AXIAL LEAD	12M K 2.3X3.4 L5 TP	
		L503	LG0LR1000K035	INDUCTOR RADIAL LEAD	100M K 6X6 L5 TP	
		L504	LG0LR0102J0N5	INDUCTOR, RADIAL LEAD	10UH 5% TP 3X5 TR5	
		L504	LG0LR0102K0P5	INDUCTOR, RADIAL LEAD	LF7.5N OEL 10UH 10% TP 4.8X4.0	ALTERNATE
		L505	LG0LR1000K035	INDUCTOR RADIAL LEAD	100M K 6X6 L5 TP	
		L506	LG635-027C	INDUCTOR, RADIAL LEAD	EL0405RA SKI150G-3 K-TDK 15UH	
		L5G2	LG0LR1500K035	INDUCTOR RADIAL LEAD	150M K 6X6 L5 TP	
		L5S1	LG0LA0332K018	INDUCTOR AXIAL LEAD	33M K 2.3X3.4 L5 TP	
		L702	LG0LR1000K035	INDUCTOR RADIAL LEAD	100M K 6X6 L5 TP	
		L702	LGGLR1000K0P5	INDUCTOR, RADIAL LEAD	LF7.5N OEL 100UH 10% TP 4.8X4.	ALTERNATE
		L703	LG0LR1000K035	INDUCTOR RADIAL LEAD	100M K 6X6 L5 TP	
		L703	LGGLR1000K0P5	INDUCTOR, RADIAL LEAD	LF7.5N OEL 100UH 10% TP 4.8X4.	ALTERNATE
		L704	LG0LA0821K018	INDUCTOR AXIAL LEAD	8.2M K 2.3X3.4 L5 TP	
		L705	LG0LR1000K035	INDUCTOR RADIAL LEAD	100M K 6X6 L5 TP	
		L705	LGGLR1000K0P5	INDUCTOR, RADIAL LEAD	LF7.5N OEL 100UH 10% TP 4.8X4.	ALTERNATE
		L751	LG0LR0102J0N5	INDUCTOR, RADIAL LEAD	10UH 5% TP 3X5 TR5	
		L751	LG0LR0102K0P5	INDUCTOR, RADIAL LEAD	LF7.5N OEL 10UH 10% TP 4.8X4.0	ALTERNATE
		L753	LG0LR0102J0N5	INDUCTOR, RADIAL LEAD	10UH 5% TP 3X5 TR5	
		L753	LG0LR0102K0P5	INDUCTOR, RADIAL LEAD	LF7.5N OEL 10UH 10% TP 4.8X4.0	ALTERNATE
		L801	LG0LR0102J0N5	INDUCTOR, RADIAL LEAD	10UH 5% TP 3X5 TR5	
		L801	LGGLR0102K0P5	INDUCTOR, RADIAL LEAD	LF7.5N OEL 10UH 10% TP 4.8X4.0	ALTERNATE
		L801	LG0LR0102K0P5	INDUCTOR, RADIAL LEAD	LF7.5N OEL 10UH 10% TP 4.8X4.0	ALTERNATE
		L802	LG0LR0102J0N5	INDUCTOR, RADIAL LEAD	10UH 5% TP 3X5 TR5	
		L802	LG0LR0102K0P5	INDUCTOR, RADIAL LEAD	LF7.5N OEL 10UH 10% TP 4.8X4.0	ALTERNATE
		L802	LGGLR0102K0P5	INDUCTOR, RADIAL LEAD	LF7.5N OEL 10UH 10% TP 4.8X4.0	ALTERNATE
		L8R1	LG0LA1000K018	INDUCTOR AXIAL LEAD	100M K 2.3X3.4 L5 TP	
		L8R2	LG0LA1000K018	INDUCTOR AXIAL LEAD	100M K 2.3X3.4 L5 TP	
		L901	LG0LA1000K018	INDUCTOR AXIAL LEAD	100M K 2.3X3.4 L5 TP	
		L902	LG0LA1000K018	INDUCTOR AXIAL LEAD	100M K 2.3X3.4 L5 TP	
		L904	LG0LA1000K018	INDUCTOR AXIAL LEAD	100M K 2.3X3.4 L5 TP	
		L906	LG0LA1000K018	INDUCTOR AXIAL LEAD	100M K 2.3X3.4 L5 TP	
		L911	LG0LA1000K018	INDUCTOR AXIAL LEAD	100M K 2.3X3.4 L5 TP	
		L912	LG0LA1000K018	INDUCTOR AXIAL LEAD	100M K 2.3X3.4 L5 TP	
		L914	LG0LA1000K018	INDUCTOR AXIAL LEAD	100M K 2.3X3.4 L5 TP	

## VHR-H793E

S	AL	LOCA. NO.	PART NO.	DESCRIPTION	SPECIFICATION	REMARKS
		L915	LG0LA1000K018	INDUCTOR AXIAL LEAD	100M K 2.3X3.4 L5 TP	
△		BD101	LG0DD160000DA	DIODE	S1WBA60(1A 600V) SHIDENKEN	
		D102	LG0DD010009CA	DIODE,RECTIFIER	EG01CW(R-FORM 5MM) TP SANKEN	
		D102	LG0DD221009AA	DIODE,RECTIFIERS	ERA22-10 KFLB,TP ,R T/P,FUJI	ALTERNATE
		D103	LG0DR180209AA	DIODE,RECTIFIER	ERA18-02KFRB TP FUJI DO204AL 2	
		D104	LG0DD133009AA	DIODE,SWITCHING	1SS133 DETECT,SW TP	
		D105	LG0DD010009AC	DIODE	EU01W(R-FORM) TP SANKEN	ALTERNATE
		D105	LG0DR104009BA	DIODE,RECTIFIER	RL104F TP RECTRON NON 400V 1A	
		D106	LG0DR810040BA	DIODE,RECTIFIER	ERC81-004L22 BK FUJI DO201AD 4	ALTERNATE
		D106	LG0DR158220AA	DIODE,RECTIFIER	1N5822 BK RECTRON DO201AD 40V	
		D109	LG0DR310000AA	DIODE,RECTIFIERS	RU3YXLF-C1 BK SANKEN D4 100V 2	ALTERNATE
		D109	LG0DR202000AB	DIODE,RECTIFIER	HER202 BK RECTRON NON 100V 2A	
		D110	LG0DD010009AC	DIODE	EU01W(R-FORM) TP SANKEN	ALTERNATE
		D110	LG0DR104009BA	DIODE,RECTIFIER	RL104F TP RECTRON NON 400V 1A	
		D155	LG0DD207000AB	DIODE,RECTIFIERS	2A07 2A RECT(T/S)P=12.5 F DELT	
		D156	LG0DD133009AA	DIODE,SWITCHING	1SS133 DETECT,SW TP	
		D159	LG0DD133009AA	DIODE,SWITCHING	1SS133 DETECT,SW TP	
		D160	LG0DD133009AA	DIODE,SWITCHING	1SS133 DETECT,SW TP	
		D301	LG0DD133009AA	DIODE,SWITCHING	1SS133 DETECT,SW TP	
		D502	LG0DD133009AA	DIODE,SWITCHING	1SS133 DETECT,SW TP	
		D509	LG0DD133009AA	DIODE,SWITCHING	1SS133 DETECT,SW TP	
		D901	LG0DD133009AA	DIODE,SWITCHING	1SS133 DETECT,SW TP	
		D902	LG0DD133009AA	DIODE,SWITCHING	1SS133 DETECT,SW TP	
		D903	LG0DD133009AA	DIODE,SWITCHING	1SS133 DETECT,SW TP	
		D904	LG0DD133009AA	DIODE,SWITCHING	1SS133 DETECT,SW TP	
		L101	LG636-004C	FILTER(CIRC),EMC	BEAD CORE BFS3550R2FD8,R T/P	
		L102	LG616-145H	FILTER(CIRC)	SHT LFS2020V4-04350	
		L106	LG636-004C	FILTER(CIRC),EMC	BEAD CORE BFS3550R2FD8,R T/P	
		L905	LG636-004C	FILTER(CIRC),EMC	BEAD CORE BFS3550R2FD8,R T/P	
		L907	LG636-004C	FILTER(CIRC),EMC	BEAD CORE BFS3550R2FD8,R T/P	
		W588	LG636-004C	FILTER(CIRC),EMC	BEAD CORE BFS3550R2FD8,R T/P	
△		F101	LG585-011T	FUSE,SLOW BLOW	1600MA 250 V 5.2X20 CY/GL SEMK	
		F102	GGIRH200000B	IC,ROHM	ICP-N20 T104 TP IC DETACT	
△		IC101	LG0IPMGSK003A	IC,POWER MANAGEMENT	STR-A6351 SANKEN 8 DIP ST SMPS	
		IC103	LG0IKE431000A	IC,KEC	KIA431 3 PIN TP	
		IC301	LG0ILNRSA005B	IC,LINEAR	LA71750EM SANYO 100PIN QFP TRA	
		IC501	LG0IMCRHI027A	IC,MICRO CONTROLLER	HD64322197SA19F HITACHI 112PIN	
		IC503	LG0IAL241600B	IC,ATMEL	AT24C16 - - - -	ALTERNATE
		IC503	LG0ICS241600B	IC,CATALYST	CAT24W16P 8P DIP ST 16K SERIAL	
		IC504	LG0ISS753100A	IC,SAMSUNG ELECTRONICS	KA7531Z TO-92 TP 3.1V RESET	ALTERNATE
		IC504	LG0IKE703100A	IC,KEC	KIA7031P 3P 3.1V RESET(TAPING)	
		IC505	LG0IKE704200B	IC,KEC	KIA7042P 3P 4.2V RESET(TAPING)	
		IC506	LG0ILNRPY001A	IC,LINEAR	PT6955 PTC 24P SOP ST LED DRIV	
		IC751	LG0IIT341700B	IC,ITT	MSP3417D-QG QFP44 BK NICAM+A2	
		IC751	LG0IIT341700C	IC,ITT	MSP3417G-QG-B8-V3 44 QFP TRAY	ALTERNATE
		IC801	LG0IPH960500A	IC,PHILIPS	TDA9605H QFP44 BK HIFI AMP+HIF	
		JK801	LG6612R-C002C	JACK,RCA	RCA-208C-06 YUQIU WH-RD	
		JK901	LG6620RM0002L	JACK,SCART	DSAM-0139 DOOWON 2F-21P(BK-BK)	
		LD501	LG4931R-0017C	HOLDER ASSY	LED(DI-CKD)LOCAL	
		LED501	LG6301R2U002D	LED ASSY	TOF-3462AGE-B OASIS UNIVERSAL	
		LED501	LG6301R3U002D	LED ASSEMBLY	ELF347GWB/S285 EVERLIGHT UNIVE	ALTERNATE
		Q151	LG0TR127309AA	TRANSISTOR	KTA1273-TP-Y (KTA966A)KEC	
		Q151	LG0TR928009AD	TRANSISTOR	KSA928A-Y,TO-92L TP SAMSUNG TO	ALTERNATE
		Q152	LG0TR127309AA	TRANSISTOR	KTA1273-TP-Y (KTA966A)KEC	
		Q152	LG0TR928009AD	TRANSISTOR	KSA928A-Y,TO-92L TP SAMSUNG TO	ALTERNATE
		Q154	LG0TR126809BA	TRANSISTOR,BIPOLARS	KTA1268-BL TP KEC	
		Q155	LG0TR320509AB	TRANSISTOR	KTC3205-TP-Y (KTC2236A)KEC	
		Q155	LG0TR232809AB	TRANSISTOR	KSC2328A-Y TP SAMSUNG TO-92L	ALTERNATE
		Q157	LG0TR100309AA	TRANSISTOR	KSR1003 TP (S/S)	ALTERNATE

VHR-H793E

S	AL	LOCA. NO.	PART NO.	DESCRIPTION	SPECIFICATION	REMARKS
		Q157	LG0TR120309AE	TRANSISTOR	SRC1203 TP AUK TO92 22K,22K	
		Q159	LG0TR127309AA	TRANSISTOR	KTA1273-TP-Y (KTA966A)KEC	
		Q159	LG0TR928009AD	TRANSISTOR	KSA928A-Y,TO-92L TP SAMSUNG TO	ALTERNATE
		Q161	LG0TR534309BA	TRANSISTOR	2SC5343-L TP AUK TO92	
		Q162	LG0TR534309BA	TRANSISTOR	2SC5343-L TP AUK TO92	
		Q163	LG0TR120109AC	TRANSISTOR	SRC1201 TP AUK TO92 4.7K,4.7K	
		Q164	LG0TR100309AA	TRANSISTOR	KSR1003 TP (S/S)	ALTERNATE
		Q164	LG0TR120309AE	TRANSISTOR	SRC1203 TP AUK TO92 22K,22K	
		Q165	LG0TR200309AA	TRANSISTOR	KSR2003TA TP FAIRCHILD TO92	ALTERNATE
		Q165	LG0TR220309AF	TRANSISTOR	SRA2203 TP AUK TO92 22K,22K	
		Q166	LG0TR127309AA	TRANSISTOR	KTA1273-TP-Y (KTA966A)KEC	
		Q166	LG0TR928009AD	TRANSISTOR	KSA928A-Y,TO-92L TP SAMSUNG TO	
		Q301	LG0TR319809AC	TRANSISTOR	KTC3198-TP-BL (KTC1815)KEC	ALTERNATE
		Q301	LG0TR534309BA	TRANSISTOR	2SC5343-L TP AUK TO92	
		Q302	LG0TR198009CA	TRANSISTOR	2SA1980G TP AUK TO92	
		Q303	LG0TR319809AC	TRANSISTOR	KTC3198-TP-BL (KTC1815)KEC	ALTERNATE
		Q303	LG0TR534309BA	TRANSISTOR	2SC5343-L TP AUK TO92	
		Q304	LG0TR319809AC	TRANSISTOR	KTC3198-TP-BL (KTC1815)KEC	ALTERNATE
		Q304	LG0TR534309BA	TRANSISTOR	2SC5343-L TP AUK TO92	
		Q305	LG0TR198009CA	TRANSISTOR	2SA1980G TP AUK TO92	
		Q306	LG0TR320309AA	TRANSISTOR,BIPOLARS	KTC3203 KEC TP TO92 50V 150MA	ALTERNATE
		Q306	LG0TR534409AA	TRANSISTOR	2SC5344Y TP	
		Q307	LG0TR198009CA	TRANSISTOR	2SA1980G TP AUK TO92	
		Q308	LG0TR198009CA	TRANSISTOR	2SA1980G TP AUK TO92	
		Q309	LG0TR198009CA	TRANSISTOR	2SA1980G TP AUK TO92	
		Q501	LG0TR319809AC	TRANSISTOR	KTC3198-TP-BL (KTC1815)KEC	ALTERNATE
		Q501	LG0TR534309BA	TRANSISTOR	2SC5343-L TP AUK TO92	
		Q502	LG0TR534309BA	TRANSISTOR	2SC5343-L TP AUK TO92	
		Q503	LG0TR127309AA	TRANSISTOR	KTA1273-TP-Y (KTA966A)KEC	
		Q504	LG0TR534309BA	TRANSISTOR	2SC5343-L TP AUK TO92	
		Q514	LG0TR100309AA	TRANSISTOR	KSR1003 TP (S/S)	ALTERNATE
		Q514	LG0TR120309AE	TRANSISTOR	SRC1203 TP AUK TO92 22K,22K	
		Q515	LG0TR100309AA	TRANSISTOR	KSR1003 TP (S/S)	ALTERNATE
		Q515	LG0TR120309AE	TRANSISTOR	SRC1203 TP AUK TO92 22K,22K	
		Q5S1	LG0TR534309BA	TRANSISTOR	2SC5343-L TP AUK TO92	
		Q901	LG0TR100309AA	TRANSISTOR	KSR1003 TP (S/S)	ALTERNATE
		Q901	LG0TR120309AE	TRANSISTOR	SRC1203 TP AUK TO92 22K,22K	
		Q902	LG0TR200309AA	TRANSISTOR	KSR2003TA TP FAIRCHILD TO92	ALTERNATE
		Q902	LG0TR220309AF	TRANSISTOR	SRA2203 TP AUK TO92 22K,22K	
		Q903	LG0TR100309AA	TRANSISTOR	KSR1003 TP (S/S)	ALTERNATE
		Q903	LG0TR120309AE	TRANSISTOR	SRC1203 TP AUK TO92 22K,22K	
		Q906	LG0TR534309BA	TRANSISTOR	2SC5343-L TP AUK TO92	
		R101	LG614-007A	RESISTOR	2.7/2W CEMENT SMPS V	
		R102	LG0RD1803F608	RESISTOR,FIXED CARBON FILM	180K OHM 1/6 W 0.05 TA26	
		R103	LG0RD0682F608	RESISTOR,FIXED CARBON FILM	68 OHM 1/6 W 5.00% TA26	
		R104	LG0RS5602K619	RESISTOR,FIXED METAL OXIDE FIL	56K OHM 2 W 5.00% TR	
		R105	LG0RF0101A619	RESISTOR,DRAWING	1 OHM 1/2 W(7.0) 5.00% TR	
		R106	LG0RD1803F608	RESISTOR,FIXED CARBON FILM	180K OHM 1/6 W 0.05 TA26	
		R109	LG0RS0350K619	RESISTOR,FIXED METAL OXIDE FIL	0.35 OHM 2 W 5.00% TR	
		R112	LG0RD1003F608	RESISTOR,FIXED CARBON FILM	100K OHM 1/6 W 5% TA26	
		R116	LG0RD2200F608	RESISTOR,FIXED CARBON FILM	220 OHM 1/6 W 5% TA26	
		R117	LG0RD2201F608	RESISTOR,FIXED CARBON FILM	2.2K OHM 1/6 W 5% TA26	
		R118	LG0RD1001F608	RESISTOR,FIXED CARBON FILM	1K OHM 1/6 W 5% TA26	
		R119	LG0RN3301F408	RESISTOR,FIXED METAL FILM	3.3K OHM 1/6 W 1% TA26	
		R120	LG0RN3001F408	RESISTOR,FIXED METAL FILM	3K OHM 1/6 W 1% TA26	
		R122	LG0RD1003F608	RESISTOR,FIXED CARBON FILM	100K OHM 1/6 W 5% TA26	
		R125	LG0RD4701F608	RESISTOR,FIXED CARBON FILM	4.7K OHM 1/6 W 5% TA26	
		R126	LG0RD6800F608	RESISTOR,FIXED CARBON FILM	680 OHM 1/6 W 5% TA26	
		R151	LG0RD1001F608	RESISTOR,FIXED CARBON FILM	1K OHM 1/6 W 5% TA26	

VHR-H793E

S	AL	LOCA. NO.	PART NO.	DESCRIPTION	SPECIFICATION	REMARKS
		R152	LG0RD3300F608	RESISTOR, FIXED CARBON FILM	330 OHM 1/6 W 5% TA26	
		R153	LG0RD1001F608	RESISTOR, FIXED CARBON FILM	1K OHM 1/6 W 5% TA26	
		R154	LG0RD3300F608	RESISTOR, FIXED CARBON FILM	330 OHM 1/6 W 5% TA26	
		R155	LG0RD3301F608	RESISTOR, FIXED CARBON FILM	3.3K OHM 1/6 W 5% TA26	
		R157	LG0RD1001F608	RESISTOR, FIXED CARBON FILM	1K OHM 1/6 W 5% TA26	
		R158	LG0RD1802F608	RESISTOR, FIXED CARBON FILM	18K OHM 1/6 W 5% TA26	
		R159	LG0RD4700F608	RESISTOR, FIXED CARBON FILM	470 OHM 1/6 W 5% TA26	
		R161	LG0RD4701F608	RESISTOR, FIXED CARBON FILM	4.7K OHM 1/6 W 5% TA26	
		R163	LG0RD4701F608	RESISTOR, FIXED CARBON FILM	4.7K OHM 1/6 W 5% TA26	
		R166	LG0RD2201F608	RESISTOR, FIXED CARBON FILM	2.2K OHM 1/6 W 5% TA26	
		R167	LG0RD3901F608	RESISTOR, FIXED CARBON FILM	3.9K OHM 1/6 W 5% TA26	
		R170	LG0RD5601F608	RESISTOR, FIXED CARBON FILM	5.6K OHM 1/6 W 5% TA26	
		R172	LG0RD2700F608	RESISTOR, FIXED CARBON FILM	270 OHM 1/6 W 5% TA26	
		R173	LG0RD2700F608	RESISTOR, FIXED CARBON FILM	270 OHM 1/6 W 5% TA26	
		R1B1	LG0RD1504H632	RESISTOR, FIXED CARBON FILM	1.5M OHM 1/2 W 5.00% MF10	
		R301	LG0RD5602F608	RESISTOR, FIXED CARBON FILM	56K OHM 1/6 W 5% TA26	
		R303	LG0RD1802F608	RESISTOR, FIXED CARBON FILM	18K OHM 1/6 W 5% TA26	
		R304	LG0RD1002F608	RESISTOR, FIXED CARBON FILM	10K OHM 1/6 W 5% TA26	
		R305	LG0RD1002F608	RESISTOR, FIXED CARBON FILM	10K OHM 1/6 W 5% TA26	
		R306	LG0RD2202F608	RESISTOR, FIXED CARBON FILM	22K OHM 1/6 W 5% TA26	
		R307	LG0RD2201F608	RESISTOR, FIXED CARBON FILM	2.2K OHM 1/6 W 5% TA26	
		R308	LG0RD4701F608	RESISTOR, FIXED CARBON FILM	4.7K OHM 1/6 W 5% TA26	
		R309	LG0RD1001F608	RESISTOR, FIXED CARBON FILM	1K OHM 1/6 W 5% TA26	
		R310	LG0RD4701F608	RESISTOR, FIXED CARBON FILM	4.7K OHM 1/6 W 5% TA26	
		R311	LG0RD1001F608	RESISTOR, FIXED CARBON FILM	1K OHM 1/6 W 5% TA26	
		R312	LG0RD6802F608	RESISTOR, FIXED CARBON FILM	68K OHM 1/6 W 5% TA26	
		R313	LG0RD0221F608	RESISTOR, FIXED CARBON FILM	2.2 OHM 1/6 W 5% TA26	
		R314	LG0RD1001F608	RESISTOR, FIXED CARBON FILM	1K OHM 1/6 W 5% TA26	
		R315	LG0RD0472F608	RESISTOR, FIXED CARBON FILM	47 OHM 1/6 W 5% TA26	
		R316	LG0RD1000F608	RESISTOR, FIXED CARBON FILM	100 OHM 1/6 W 5% TA26	
		R317	LG0RD5601F608	RESISTOR, FIXED CARBON FILM	5.6K OHM 1/6 W 5% TA26	
		R318	LG0RD3901F608	RESISTOR, FIXED CARBON FILM	3.9K OHM 1/6 W 5% TA26	
		R319	LG0RD5600F608	RESISTOR, FIXED CARBON FILM	560 OHM 1/6 W 5% TA26	
		R320	LG0RD1500F608	RESISTOR, FIXED CARBON FILM	150 OHM 1/6 W 5% TA26	
		R321	LG0RD1201F608	RESISTOR, FIXED CARBON FILM	1.2K OHM 1/6 W 5% TA26	
		R322	LG0RD1001F608	RESISTOR, FIXED CARBON FILM	1K OHM 1/6 W 5% TA26	
		R324	LG0RD3303F608	RESISTOR, FIXED CARBON FILM	330K OHM 1/6 W 5% TA26	
		R325	LG0RD4700F608	RESISTOR, FIXED CARBON FILM	470 OHM 1/6 W 5% TA26	
		R326	LG0RD1202F608	RESISTOR, FIXED CARBON FILM	12K OHM 1/6 W 5% TA26	
		R327	LG0RD5601F608	RESISTOR, FIXED CARBON FILM	5.6K OHM 1/6 W 5% TA26	
		R328	LG0RD2700F608	RESISTOR, FIXED CARBON FILM	270 OHM 1/6 W 5% TA26	
		R329	LG0RD1202F608	RESISTOR, FIXED CARBON FILM	12K OHM 1/6 W 5% TA26	
		R330	LG0RD1002F608	RESISTOR, FIXED CARBON FILM	10K OHM 1/6 W 5% TA26	
		R331	LG0RD4701F608	RESISTOR, FIXED CARBON FILM	4.7K OHM 1/6 W 5% TA26	
		R334	LG0RD2701F608	RESISTOR, FIXED CARBON FILM	2.7K OHM 1/6 W 5% TA26	
		R335	LG0RD6801F608	RESISTOR, FIXED CARBON FILM	6.8K OHM 1/6 W 5% TA26	
		R336	LG0RD1003F608	RESISTOR, FIXED CARBON FILM	100K OHM 1/6 W 5% TA26	
		R337	LG0RD2201F608	RESISTOR, FIXED CARBON FILM	2.2K OHM 1/6 W 5% TA26	
		R338	LG0RD2700F608	RESISTOR, FIXED CARBON FILM	270 OHM 1/6 W 5% TA26	
		R339	LG0RD5600F608	RESISTOR, FIXED CARBON FILM	560 OHM 1/6 W 5% TA26	
		R340	LG0RD1802F608	RESISTOR, FIXED CARBON FILM	18K OHM 1/6 W 5% TA26	
		R342	LG0RD5600F608	RESISTOR, FIXED CARBON FILM	560 OHM 1/6 W 5% TA26	
		R343	LG0RD0752F608	RESISTOR, FIXED CARBON FILM	75 OHM 1/6 W 5.00% TA26	
		R344	LG0RD4700F608	RESISTOR, FIXED CARBON FILM	470 OHM 1/6 W 5% TA26	
		R345	LG0RD4700F608	RESISTOR, FIXED CARBON FILM	470 OHM 1/6 W 5% TA26	
		R346	LG0RD1000F608	RESISTOR, FIXED CARBON FILM	100 OHM 1/6 W 5% TA26	
		R347	LG0RD1000F608	RESISTOR, FIXED CARBON FILM	100 OHM 1/6 W 5% TA26	
		R349	LG0RD1801F608	RESISTOR, FIXED CARBON FILM	1.8K OHM 1/6 W 5% TA26	
		R350	LG0RD1002F608	RESISTOR, FIXED CARBON FILM	10K OHM 1/6 W 5% TA26	

VHR-H793E

S	AL	LOCA. NO.	PART NO.	DESCRIPTION	SPECIFICATION	REMARKS
		R351	LG0RD8203F608	RESISTOR, FIXED CARBON FILM	820K OHM 1/6 W 0.05 TA26	
		R3A1	LG0RD1002F608	RESISTOR, FIXED CARBON FILM	10K OHM 1/6 W 5% TA26	
		R501	LG0RD1000F608	RESISTOR, FIXED CARBON FILM	100 OHM 1/6 W 5% TA26	
		R502	LG0RD1000F608	RESISTOR, FIXED CARBON FILM	100 OHM 1/6 W 5% TA26	
		R503	LG0RD4701F608	RESISTOR, FIXED CARBON FILM	4.7K OHM 1/6 W 5% TA26	
		R504	LG0RD1001F608	RESISTOR, FIXED CARBON FILM	1K OHM 1/6 W 5% TA26	
		R505	LG0RD1001F608	RESISTOR, FIXED CARBON FILM	1K OHM 1/6 W 5% TA26	
		R506	LG0RD1002F608	RESISTOR, FIXED CARBON FILM	10K OHM 1/6 W 5% TA26	
		R507	LG0RD1002F608	RESISTOR, FIXED CARBON FILM	10K OHM 1/6 W 5% TA26	
		R508	LG0RD2201F608	RESISTOR, FIXED CARBON FILM	2.2K OHM 1/6 W 5% TA26	
		R509	LG0RD2201F608	RESISTOR, FIXED CARBON FILM	2.2K OHM 1/6 W 5% TA26	
		R510	LG0RD2201F608	RESISTOR, FIXED CARBON FILM	2.2K OHM 1/6 W 5% TA26	
		R511	LG0RD1001F608	RESISTOR, FIXED CARBON FILM	1K OHM 1/6 W 5% TA26	
		R512	LG0RD1001F608	RESISTOR, FIXED CARBON FILM	1K OHM 1/6 W 5% TA26	
		R513	LG0RD1001F608	RESISTOR, FIXED CARBON FILM	1K OHM 1/6 W 5% TA26	
		R514	LG0RD1203F608	RESISTOR, FIXED CARBON FILM	120K OHM 1/6 W 5% TA26	
		R515	LG0RD2700F608	RESISTOR, FIXED CARBON FILM	270 OHM 1/6 W 5% TA26	
		R516	LG0RD4703F608	RESISTOR, FIXED CARBON FILM	470K OHM 1/6 W 5% TA26	
		R517	LG0RD4700F608	RESISTOR, FIXED CARBON FILM	470 OHM 1/6 W 5% TA26	
		R518	LG0RD1001F608	RESISTOR, FIXED CARBON FILM	1K OHM 1/6 W 5% TA26	
		R520	LG0RD3901F608	RESISTOR, FIXED CARBON FILM	3.9K OHM 1/6 W 5% TA26	
		R521	LG0RD4701F608	RESISTOR, FIXED CARBON FILM	4.7K OHM 1/6 W 5% TA26	
		R522	LG0RD1001F608	RESISTOR, FIXED CARBON FILM	1K OHM 1/6 W 5% TA26	
		R523	LG0RD1002F608	RESISTOR, FIXED CARBON FILM	10K OHM 1/6 W 5% TA26	
		R524	LG0RD0222F608	RESISTOR, FIXED CARBON FILM	22 OHM 1/6 W 5% TA26	
		R525	LG0RD5601F608	RESISTOR, FIXED CARBON FILM	5.6K OHM 1/6 W 5% TA26	
		R526	LG0RD5601F608	RESISTOR, FIXED CARBON FILM	5.6K OHM 1/6 W 5% TA26	
		R527	LG0RD1002F608	RESISTOR, FIXED CARBON FILM	10K OHM 1/6 W 5% TA26	
		R528	LG0RD4701F608	RESISTOR, FIXED CARBON FILM	4.7K OHM 1/6 W 5% TA26	
		R529	LG0RD1002F608	RESISTOR, FIXED CARBON FILM	10K OHM 1/6 W 5% TA26	
		R530	LG0RD4701F608	RESISTOR, FIXED CARBON FILM	4.7K OHM 1/6 W 5% TA26	
		R531	LG0RD1002F608	RESISTOR, FIXED CARBON FILM	10K OHM 1/6 W 5% TA26	
		R535	LG0RD4703F608	RESISTOR, FIXED CARBON FILM	470K OHM 1/6 W 5% TA26	
		R542	LG0RD2201F608	RESISTOR, FIXED CARBON FILM	2.2K OHM 1/6 W 5% TA26	
		R543	LG0RD1000F608	RESISTOR, FIXED CARBON FILM	100 OHM 1/6 W 5% TA26	
		R544	LG0RD4701F608	RESISTOR, FIXED CARBON FILM	4.7K OHM 1/6 W 5% TA26	
		R546	LG0RD5601F608	RESISTOR, FIXED CARBON FILM	5.6K OHM 1/6 W 5% TA26	
		R547	LG0RD1202F608	RESISTOR, FIXED CARBON FILM	12K OHM 1/6 W 5% TA26	
		R548	LG0RD1003F608	RESISTOR, FIXED CARBON FILM	100K OHM 1/6 W 5% TA26	
		R550	LG0RD2200F608	RESISTOR, FIXED CARBON FILM	220 OHM 1/6 W 5% TA26	
		R553	LG0RD2200F608	RESISTOR, FIXED CARBON FILM	220 OHM 1/6 W 5% TA26	
		R555	LG0RD2200F608	RESISTOR, FIXED CARBON FILM	220 OHM 1/6 W 5% TA26	
		R556	LG0RD2202F608	RESISTOR, FIXED CARBON FILM	22K OHM 1/6 W 5% TA26	
		R557	LG0RD2702F608	RESISTOR, FIXED CARBON FILM	27K OHM 1/6 W 5% TA26	
		R558	LG0RD2202F608	RESISTOR, FIXED CARBON FILM	22K OHM 1/6 W 5% TA26	
		R559	LG0RD4701F608	RESISTOR, FIXED CARBON FILM	4.7K OHM 1/6 W 5% TA26	
		R560	LG0RD4701F608	RESISTOR, FIXED CARBON FILM	4.7K OHM 1/6 W 5% TA26	
		R561	LG0RD5600F608	RESISTOR, FIXED CARBON FILM	560 OHM 1/6 W 5% TA26	
		R562	LG0RD5600F608	RESISTOR, FIXED CARBON FILM	560 OHM 1/6 W 5% TA26	
		R563	LG0RD5601F608	RESISTOR, FIXED CARBON FILM	5.6K OHM 1/6 W 5% TA26	
		R564	LG0RD2702F608	RESISTOR, FIXED CARBON FILM	27K OHM 1/6 W 5% TA26	
		R566	LG0RD4701F608	RESISTOR, FIXED CARBON FILM	4.7K OHM 1/6 W 5% TA26	
		R567	LG0RD1002F608	RESISTOR, FIXED CARBON FILM	10K OHM 1/6 W 5% TA26	
		R568	LG0RD6802F608	RESISTOR, FIXED CARBON FILM	68K OHM 1/6 W 5% TA26	
		R569	LG0RD1004F608	RESISTOR, FIXED CARBON FILM	1M OHM 1/6 W 5% TA26	
		R570	LG0RD4701F608	RESISTOR, FIXED CARBON FILM	4.7K OHM 1/6 W 5% TA26	
		R575	LG0RD4701F608	RESISTOR, FIXED CARBON FILM	4.7K OHM 1/6 W 5% TA26	
		R576	LG0RD4701F608	RESISTOR, FIXED CARBON FILM	4.7K OHM 1/6 W 5% TA26	
		R577	LG0RD4701F608	RESISTOR, FIXED CARBON FILM	4.7K OHM 1/6 W 5% TA26	

VHR-H793E

S	AL	LOCA. NO.	PART NO.	DESCRIPTION	SPECIFICATION	REMARKS
		R578	LG0RD4701F608	RESISTOR, FIXED CARBON FILM	4.7K OHM 1/6 W 5% TA26	
		R579	LG0RD5602F608	RESISTOR, FIXED CARBON FILM	56K OHM 1/6 W 5% TA26	
		R582	LG0RD1000F608	RESISTOR, FIXED CARBON FILM	100 OHM 1/6 W 5% TA26	
		R583	LG0RD1002F608	RESISTOR, FIXED CARBON FILM	10K OHM 1/6 W 5% TA26	
		R589	LG0RD1004F608	RESISTOR, FIXED CARBON FILM	1M OHM 1/6 W 5% TA26	
		R591	LG0RD1003F608	RESISTOR, FIXED CARBON FILM	100K OHM 1/6 W 5% TA26	
		R5A2	LG0RD1002F608	RESISTOR, FIXED CARBON FILM	10K OHM 1/6 W 5% TA26	
		R5A3	LG0RD1002F608	RESISTOR, FIXED CARBON FILM	10K OHM 1/6 W 5% TA26	
		R5A5	LG0RD4703F608	RESISTOR, FIXED CARBON FILM	470K OHM 1/6 W 5% TA26	
		R5B3	LG0RD1001F608	RESISTOR, FIXED CARBON FILM	1K OHM 1/6 W 5% TA26	
		R5B4	LG0RD1001F608	RESISTOR, FIXED CARBON FILM	1K OHM 1/6 W 5% TA26	
		R5B5	LG0RD1000F608	RESISTOR, FIXED CARBON FILM	100 OHM 1/6 W 5% TA26	
		R5C1	LG0RD1001F608	RESISTOR, FIXED CARBON FILM	1K OHM 1/6 W 5% TA26	
		R5C5	LG0RD1001F608	RESISTOR, FIXED CARBON FILM	1K OHM 1/6 W 5% TA26	
		R5C6	LG0RD1001F608	RESISTOR, FIXED CARBON FILM	1K OHM 1/6 W 5% TA26	
		R5C7	LG0RD1001F608	RESISTOR, FIXED CARBON FILM	1K OHM 1/6 W 5% TA26	
		R5C9	LG0RD1002F608	RESISTOR, FIXED CARBON FILM	10K OHM 1/6 W 5% TA26	
		R5G1	LG0RD4702F608	RESISTOR, FIXED CARBON FILM	47K OHM 1/6 W 5% TA26	
		R5G2	LG0RD1000F608	RESISTOR, FIXED CARBON FILM	100 OHM 1/6 W 5% TA26	
		R5G3	LG0RD1000F608	RESISTOR, FIXED CARBON FILM	100 OHM 1/6 W 5% TA26	
		R5G4	LG0RD1000F608	RESISTOR, FIXED CARBON FILM	100 OHM 1/6 W 5% TA26	
		R5P2	LG0RD1002F608	RESISTOR, FIXED CARBON FILM	10K OHM 1/6 W 5% TA26	
		R5P3	LG0RD1002F608	RESISTOR, FIXED CARBON FILM	10K OHM 1/6 W 5% TA26	
		R5R7	LG0RD3300F608	RESISTOR, FIXED CARBON FILM	330 OHM 1/6 W 5% TA26	
		R5R8	LG0RD1001F608	RESISTOR, FIXED CARBON FILM	1K OHM 1/6 W 5% TA26	
		R5S1	LG0RD5601F608	RESISTOR, FIXED CARBON FILM	5.6K OHM 1/6 W 5% TA26	
		R5T1	LG0RD1801F608	RESISTOR, FIXED CARBON FILM	1.8K OHM 1/6 W 5% TA26	
		R5T10	LG0RD1501F608	RESISTOR, FIXED CARBON FILM	1.5K OHM 1/6 W 5% TA26	
		R5T11	LG0RD1001F608	RESISTOR, FIXED CARBON FILM	1K OHM 1/6 W 5% TA26	
		R5T2	LG0RD1501F608	RESISTOR, FIXED CARBON FILM	1.5K OHM 1/6 W 5% TA26	
		R5T3	LG0RD2201F608	RESISTOR, FIXED CARBON FILM	2.2K OHM 1/6 W 5% TA26	
		R5T4	LG0RD2701F608	RESISTOR, FIXED CARBON FILM	2.7K OHM 1/6 W 5% TA26	
		R5T5	LG0RD3901F608	RESISTOR, FIXED CARBON FILM	3.9K OHM 1/6 W 5% TA26	
		R5T9	LG0RD1801F608	RESISTOR, FIXED CARBON FILM	1.8K OHM 1/6 W 5% TA26	
		R706	LG0RD2200F608	RESISTOR, FIXED CARBON FILM	220 OHM 1/6 W 5% TA26	
		R707	LG0RD2200F608	RESISTOR, FIXED CARBON FILM	220 OHM 1/6 W 5% TA26	
		R709	LG0RD1001F608	RESISTOR, FIXED CARBON FILM	1K OHM 1/6 W 5% TA26	
		R753	LG0RD1001F608	RESISTOR, FIXED CARBON FILM	1K OHM 1/6 W 5% TA26	
		R754	LG0RD3301F608	RESISTOR, FIXED CARBON FILM	3.3K OHM 1/6 W 5% TA26	
		R755	LG0RD3301F608	RESISTOR, FIXED CARBON FILM	3.3K OHM 1/6 W 5% TA26	
		R758	LG0RD4701F608	RESISTOR, FIXED CARBON FILM	4.7K OHM 1/6 W 5% TA26	
		R759	LG0RD5601F608	RESISTOR, FIXED CARBON FILM	5.6K OHM 1/6 W 5% TA26	
		R7M1	LG0RD1001F608	RESISTOR, FIXED CARBON FILM	1K OHM 1/6 W 5% TA26	
		R7M2	LG0RD2200F608	RESISTOR, FIXED CARBON FILM	220 OHM 1/6 W 5% TA26	
		R7M3	LG0RD1001F608	RESISTOR, FIXED CARBON FILM	1K OHM 1/6 W 5% TA26	
		R7M5	LG0RD2200F608	RESISTOR, FIXED CARBON FILM	220 OHM 1/6 W 5% TA26	
		R801	LG0RD4701F608	RESISTOR, FIXED CARBON FILM	4.7K OHM 1/6 W 5% TA26	
		R802	LG0RD4701F608	RESISTOR, FIXED CARBON FILM	4.7K OHM 1/6 W 5% TA26	
		R817	LG0RD3304F608	RESISTOR, FIXED CARBON FILM	3.3M OHM 1/6 W 5.00% TA26	
		R818	LG0RD3302F608	RESISTOR, FIXED CARBON FILM	33K OHM 1/6 W 5% TA26	
		R819	LG0RD2701F608	RESISTOR, FIXED CARBON FILM	2.7K OHM 1/6 W 5% TA26	
		R820	LG0RD3902F608	RESISTOR, FIXED CARBON FILM	39K OHM 1/6 W 5% TA26	
		R821	LG0RD2701F608	RESISTOR, FIXED CARBON FILM	2.7K OHM 1/6 W 5% TA26	
		R822	LG0RD3302F608	RESISTOR, FIXED CARBON FILM	33K OHM 1/6 W 5% TA26	
		R823	LG0RD4700F608	RESISTOR, FIXED CARBON FILM	470 OHM 1/6 W 5% TA26	
		R824	LG0RD1000F608	RESISTOR, FIXED CARBON FILM	100 OHM 1/6 W 5% TA26	
		R825	LG0RD5600F608	RESISTOR, FIXED CARBON FILM	560 OHM 1/6 W 5% TA26	
		R826	LG0RD1801F608	RESISTOR, FIXED CARBON FILM	1.8K OHM 1/6 W 5% TA26	
		R827	LG0RD1001F608	RESISTOR, FIXED CARBON FILM	1K OHM 1/6 W 5% TA26	



VHR-H793E

S	AL	LOCA. NO.	PART NO.	DESCRIPTION	SPECIFICATION	REMARKS
		R828	LG0RD1001F608	RESISTOR, FIXED CARBON FILM	1K OHM 1/6 W 5% TA26	
		R830	LG0RD4701F608	RESISTOR, FIXED CARBON FILM	4.7K OHM 1/6 W 5% TA26	
		R831	LG0RD4701F608	RESISTOR, FIXED CARBON FILM	4.7K OHM 1/6 W 5% TA26	
		R8R1	LG0RD5600F608	RESISTOR, FIXED CARBON FILM	560 OHM 1/6 W 5% TA26	
		R8R2	LG0RD5600F608	RESISTOR, FIXED CARBON FILM	560 OHM 1/6 W 5% TA26	
		R901	LG0RD0752F608	RESISTOR, FIXED CARBON FILM	75 OHM 1/6 W 5.00% TA26	
		R902	LG0RD0752F608	RESISTOR, FIXED CARBON FILM	75 OHM 1/6 W 5.00% TA26	
		R903	LG0RD4701F608	RESISTOR, FIXED CARBON FILM	4.7K OHM 1/6 W 5% TA26	
		R904	LG0RD4702F608	RESISTOR, FIXED CARBON FILM	47K OHM 1/6 W 5% TA26	
		R905	LG0RD5600F608	RESISTOR, FIXED CARBON FILM	560 OHM 1/6 W 5% TA26	
		R906	LG0RD5600F608	RESISTOR, FIXED CARBON FILM	560 OHM 1/6 W 5% TA26	
		R911	LG0RD0752F608	RESISTOR, FIXED CARBON FILM	75 OHM 1/6 W 5.00% TA26	
		R912	LG0RD0752F608	RESISTOR, FIXED CARBON FILM	75 OHM 1/6 W 5.00% TA26	
		R913	LG0RD5600F608	RESISTOR, FIXED CARBON FILM	560 OHM 1/6 W 5% TA26	
		R914	LG0RD5600F608	RESISTOR, FIXED CARBON FILM	560 OHM 1/6 W 5% TA26	
		R943	LG0RD1501F608	RESISTOR, FIXED CARBON FILM	1.5K OHM 1/6 W 5% TA26	
		R964	LG0RD8200F608	RESISTOR, FIXED CARBON FILM	820 OHM 1/6 W 5% TA26	
		R965	LG0RD1001F608	RESISTOR, FIXED CARBON FILM	1K OHM 1/6 W 5% TA26	
		RC501	LG6712R1938GB	REMOTE CONTROLLER RECEIVER	TSOP2238WE1 VISHAY 37.9KHZ 19M	
		ES501	LG4931R-0050C	HOLDER ASSEMBLY	END (DI)	
		ES502	LG4931R-0050C	HOLDER ASSEMBLY	END (DI)	
	⚠	IC102	LG657-062B	SENSOR	PC123Y PHOTO-COUPLER(SARPH)	ALTERNATE
	⚠	IC102	LG657-063A	SENSOR	LTV-817B, PHOTO COUPLER(LITEON)	
	⚠	IC102	LG6500RDB010A	SENSOR	PC123YN2 SHARP PHOTOCOUPLER	ALTERNATE
		RS501	LG6500RAB003A	SENSOR	SG-260 KODENSHI D33 REEL SENSO	
		RS501	LG6500RAB007A	SENSOR	GP1S566V SHARP REEL SENSOR OF	ALTERNATE
		RS502	LG6500RAB003A	SENSOR	SG-260 KODENSHI D33 REEL SENSO	
		RS502	LG6500RAB007A	SENSOR	GP1S566V SHARP REEL SENSOR OF	ALTERNATE
		CS501	LG6600M000002	SWITCH, PUSH	MPU11810MLB0 MIC DC 5V 1MA D-3	
		MS501	LG6600JB8005B	SWITCH, MODE	NON 5V 1MA VERTICAL -G	
		MS501	LG6600JB8005C	SWITCH, MODE	MMS00721ZMB0 MIC 5VDC 1MA D-35	ALTERNATE
		SW5T1	LG556-213C	SWITCH, DETECTOR	THVV951BAA POSTECH DC 12 V 5-0	
		SW5T10	LG556-213C	SWITCH, DETECTOR	THVV951BAA POSTECH DC 12 V 5-0	
		SW5T11	LG556-213C	SWITCH, DETECTOR	THVV951BAA POSTECH DC 12 V 5-0	
		SW5T12	LG556-213C	SWITCH, DETECTOR	THVV951BAA POSTECH DC 12 V 5-0	
		SW5T13	LG556-213C	SWITCH, DETECTOR	THVV951BAA POSTECH DC 12 V 5-0	
		SW5T4	LG556-213C	SWITCH, DETECTOR	THVV951BAA POSTECH DC 12 V 5-0	
		SW5T5	LG556-213C	SWITCH, DETECTOR	THVV951BAA POSTECH DC 12 V 5-0	
		SW5T6	LG556-213C	SWITCH, DETECTOR	THVV951BAA POSTECH DC 12 V 5-0	
		SW5T7	LG556-213C	SWITCH, DETECTOR	THVV951BAA POSTECH DC 12 V 5-0	
		T101	LG642-015G	TRANSFORMER, SMPS[COIL]	SJE-015G/SHT-015G SJ/SH/CS/LSE	
		TU701	LG6700PFPL06C	TUNER	TADC-U401D(UK, LGIT) LG INOTEK	
		X301	LG6202R2443AE	RESONATOR, CRYSTAL	HC49U SSANG TAE 4433709HZ 1	ALTERNATE
		X301	LG6202R2443AG	RESONATOR, CRYSTAL	HC49U SSANGTAE 4-433709MHZ	ALTERNATE
		X301	LG6202R2443AC	RESONATOR, CRYSTAL	HC49U BUBANG 4-433709MHZ 15	
		X501	LG6202R31001F	RESONATOR, CRYSTAL	HC-49S KEUMSEOK 10-0000MHZ 30P	ALTERNATE
		X501	LG6212AA2100C	RESONATOR, CRYSTAL	HC-49S BUBANG 10MHZ +/- 30 PPM	
		X502	LG529-001K	RESONATOR, CRYSTAL	- SEIKO 32-768KHZ - -	ALTERNATE
		X502	LG6202R-DA01A	RESONATOR, CRYSTAL	CFS-308 CITIZEN 32-768KHZ	
		X751	LG529-021Q	RESONATOR, CRYSTAL	49U BUBANG 18432000HZ 30PPM 16	
		X751	LG6212AA2184F	RESONATOR, CRYSTAL	HC-49U KYUNGIL 18.432MHZ +/- 3	ALTERNATE
		ZD151	LG0DZ130009AB	DIODE, ZENERS	MTZ13C TP ROHM-K	
		ZD503	LG0DZ620009AB	DIODE, ZENERS	MTZ6.2C TP ROHM - - - -	ALTERNATE
		ZD503	LG0DZ620009AM	DIODE, ZENERS	UZ-6.2BSC 26MM PYUNG CHANG TP	
		ZD801	LG0DZ562609BB	DIODE, ZENER	UZ-5.6BSB 26MM TP PYUNG CHANG	
		ZD802	LG0DZ562609BB	DIODE, ZENER	UZ-5.6BSB 26MM TP PYUNG CHANG	
		ZD803	LG0DZ130009AA	DIODE, ZENER	MTZ13A TP ROHM-K	
		ZD804	LG0DZ130009AA	DIODE, ZENER	MTZ13A TP ROHM-K	

# MEMO

A series of horizontal dotted lines for writing.

NOTES) ⚠ Warning  
Parts that are shaded are critical  
With respect to risk of fire or  
electrical shock.

## SECTION 5 REPLACEMENT PARTS LIST

SANYO MODEL : VHR-H803E

NSP : Not available as service parts.

RUN DATE :13-FEB-03

S	AL	LOCA. NO.	PART NO.	DESCRIPTION	SPECIFICATION	REMARKS
<b>*** INDIVIDUAL PARTS ***</b>						
		250	LG3110R-0223G	CASE	VCR - TOP(0128 A288G SIDE SCRE	
		260	LG3210R-0023B	FRAME	MAIN (VII-PJT, 60HR)	NSP
	⚠	300	LG6410RBHV02C	POWER CORD	MP5005SC/HO3VVH2-F VOLEX BSI 1	
		330	LG3550R-0210A	COVER	BOTTOM(LARGE)	
		452	LG353-051A	SCREW	SPECIAL	
		457	LG353-051E	SCREW	SPECIAL (3X12)	
		462	LG353-136D	SCREW,DRAWING	+ 2 D4.0 L12.5 MSWR3/FN	
<b>*** PACKING ACCESSORY ***</b>						
		801	LG3835RP0090S	INSTRUCTION ASSEMBLY	VCR FCY909NI.NA4USS	
		802	LG3890R-H537G	BOX(CARTON)	FCY909NI NA4USS SW3-A 0.858 3	
		803	LG3920R-0067A	PACKING	AF999NS 0.02 65 EPS 12 1190 23	
		804	LG292-053A	BAG	SOFT(VCP)	NSP
		808	LG534-002C	BATTERY,MANGANESE	AAM UM-3 SEOTONG 1-5 V - LOL 1	NSP
		810	LG6851RP0003A	CABLE ASSY,RF	CABLE ASSY,RF/SCART/RCA USING	
<b>*** REMOTE CONTROLLER ***</b>						
		900	LG6711R1P043D	REMOTE CONTROLLER ASSEMBLY	N7 FCY909NI SANYO W/VIDEO PLU	
		910	LG3550R-0454A	COVER	BATTERY(N7 HIPS 60HR 89991)	
<b>*** PANEL ASSEMBLY , FRONT ***</b>						
		A43	LG3721R-F311G	PANEL ASSEMBLY,FRONT	VCR FCY909NI NA4USS FRONT(VHR-	
		280	LG3720R-F701E	PANEL,VIDEO	VCR FCY909NI MOLD FRONT(B589G)	NSP
		283	LG3580R-V019H	DOOR,CASE	VCR FCY909NI NA4USS MOLD CST(H	
		284	LG442-681A	SPRING	DOOR	
<b>*** DECK ASSEMBLY , VIDEO ***</b>						
		A00	LG6721RF0751B	DECK ASSEMBLY,VIDEO	D35(M) DI (4HF, PAL, AHC(O), B	NSP
		A01	LG6723R-0403C	DRUM(CIRC) ASSEMBLY	D35-6CH PAL (8P6C)	
		A03	LG4261R-0025A	ARM ASSY	CLEANER	
		A04	LG4811RF0038A	BRACKET ASSEMBLY	L/D(S)	
		A04	LG4811RF0038B	BRACKET ASSEMBLY	L/D(M) - DI	ALTERNATR
		A11	LG4471R-0005A	GEAR ASSY	P3	
		A12	LG4471R-0004A	GEAR ASSY	P2	
		A21	LG4931R-0047A	HOLDER ASSY	CST	
		A22	LG4471R-0006A	GEAR ASSY	RACK F/L	
		A23	LG4261R-0023A	ARM ASSY	F/L	
		A24	LG4510R-0046A	LEVER	ASSY SWITCH	
		001	LG6723R-0306C	DRUM(CIRC) ASSEMBLY	SUB D35-6CH (8P6C)	NSP
		002	LG4680R-B005A	MOTOR(MECH)	DRUM I2OAL05 SEJIN-SANKYO ICLE	
		002	LG4680R-B003B	MOTOR(MECH)	DRUM VH4301 KUMAGAYA DRUM MOTO	ALTERNATR
		002	LG4680R-B007A	MOTOR(MECH)	DRUM MDVC-035AA LGIT FOR D-35,	ALTERNATR
		002A	LG5202R00002C	BRUSH,CARBON	ASSY D33 (TIP+2 SPRING) 1.4,	
		003	LG4930R-0284A	HOLDER	FPC(6CH)	
		004	LG5006R-0034A	CAP	FPC	
		006	LG4580R-0004A	ROLLER	CLEANER	NSP
		007	LG4260R-0039A	ARM	CLEANER	NSP
		008	LG6850R-HG18Z	CABLE,FLAT	P=1.25 FFC UL2896(0.05X0.8) 7	
		009	LG4260R-0038A	ARM	T/UP(D35)	

VHR-H803E

S	AL	LOCA. NO.	PART NO.	DESCRIPTION	SPECIFICATION	REMARKS
		010	LG4810R-0125A	BRACKET	CHASSIS	
		011	LG4261R-0022A	ARM ASSY	TENSION(D35)	
		012	LG3041R-0037A	BASE ASSY	P2	
		013	LG3041R-0038A	BASE ASSY	P3	
		014	LG3041R-0039A	BASE ASSY	P4	
		015	LG5870R-0005A	OPENER	LID(D35)	
		016	LG3041R-0036A	BASE ASSEMBLY	A/C HEAD (ALPS)	
		016	LG3041R-0036B	BASE ASSEMBLY	A/C HEAD (TDK)	
		017	LG4408R-0003A	REEL	S	
		018	LG4970R-0140A	SPRING	COIL RS D35	
		019	LG4421R-0008A	BRAKE ASSEMBLY	RS	
		020	LG4970R-0128A	SPRING	COIL D35 (TB)	
		021	LG4421R-0006A	BRAKE ASSY	T	
		022	LG6520D00001A	HEAD(CIRC)	D35 FE TDK FE HEAD	ALTERNATR
		022	LG6520D00002A	HEAD(CIRC)	D35 FE ST FE HEAD	
		023	LG3040R-0057A	BASE	LOADING	
		024	LG4261R-0024A	ARM ASSEMBLY	IDLER (H)	
		025	LG4810R-0118A	BRACKET	L/D(S)	NSP
		026	LG4680R-D002A	MOTOR(MECH)	LOADING MDB2B66 SANKYO D35 ASP	NSP
		027	LG4470R-0093A	GEAR	WHEEL	NSP
		028	LG4408R-0004A	REEL	T	
		029	LG4261R-0019A	ARM ASSEMBLY	DECK/MECHA PINCH	
		029	LG4261R-0019B	ARM ASSEMBLY	PINCH	NSP
		030	LG4510R-0043A	LEVER	T/UP	
		031	LG4970R-0123A	SPRING	COIL TENSION(D35)	
		032	LG3141R-0040A	CHASSIS ASSY	D35	NSP
		051	LG4400R-0005A	BELT	CAPSTAN	
		052	LG4680R-A006A	MOTOR(MECH)	CAPSTAN MCVC-035AA LGIT BLDC 3	ALTERNATR
		052	LG4680R-A007A	MOTOR(MECH)	CAPSTAN F2QVB06 SANKYO D35 ASR	
		052	LG4680R-A008A	MOTOR(MECH)	CAPSTAN SAMSUNG DMVCMC09L D35	ALTERNATR
		052A	LG4980R-0023A	SUPPORTER	CAPSTAN(D35)	
		054	LG4470R-0100A	GEAR	RACK F/L	
		054A	LG4970R-0124B	SPRING	COIL D35 (RACK F/L)	
		055	LG4470R-0097A	GEAR	DRIVE(D35)	
		056	LG4470R-0096A	GEAR	CAM(D35)	
		058	LG4421R-0007A	BRAKE ASSY	CAPSTAN	
		060	LG4510R-0040A	LEVER	F/R(D35)	
		061	LG4265R-0005A	CLUTCH ASSEMBLY	D35 (M)	
		064	LG4470R-0098A	GEAR	SECTOR(D35)	
		065	LG4261R-0021A	ARM ASSY	P3	NSP
		066	LG4970R-0122A	SPRING	COIL D35	NSP
		067	LG4470R-0095A	GEAR	P3	NSP
		068	LG4470R-0094A	GEAR	P2	NSP
		069	LG4970R-0122A	SPRING	COIL D35	NSP
		070	LG4261R-0020A	ARM ASSY	P2	NSP
		076	LG4510R-0047A	LEVER	SPRING	
		077	LG3300R-M116A	PLATE	SLIDER	
		078	LG4510R-0041A	LEVER	TENSION	
		079	LG3040R-0056A	BASE	TENSION(D35)	
		100	LG3301R-M022A	PLATE ASSEMBLY	TOP	
		100A	LG3300R-0184A	PLATE	GND	
		100B	LG3300R-M118A	PLATE	TOP(D35)	
		102	LG4970R-0130A	SPRING	COIL D35 (STOPPER)	
		103	LG4930R-0276A	HOLDER	SIDE(L)	NSP
		105	LG4930R-0274A	HOLDER	CST	NSP
		106	LG4930R-0275A	HOLDER	SIDE(R)	NSP
		107	LG4510R-0044A	LEVER	STOPPER	NSP
		109	LG5870R-0004A	OPENER	DOOR	
		110	LG4260R-0035A	ARM	F/L(L)	NSP

VHR-H803E

S	AL	LOCA. NO.	PART NO.	DESCRIPTION	SPECIFICATION	REMARKS
		112	LG3070R-0002A	BODY	F/L	NSP
		113	LG4970R-0127A	SPRING	COIL D35 (F/L(R))	NSP
		114	LG4260R-0036A	ARM	F/L(R)	NSP
		115	LG4510R-0042A	LEVER	SWITCH	
		116	LG4970R-0138A	SPRING	COIL D35 SWITCH	
		117	LG3300R-M137A	PLATE	SPRING CST	
		401	LG1MEC0261518	SCREW MACHINE,PAN HEAD SPR W	#NAME?	
		402	LG1MPC0261418	SCREW MACHINE,PAN HEAD	D 2.6 L 4.0 MSWR3/FZY	
		405	LG1SZZR-0031B	SCREW,DRAWING	+ 1 D2.6 L5.8 SWRCH16A/FZY TAP	
		406	LG1MEC0302018	PAN HEAD MACHINE SCREW S/W +	D 3.0 L 6.0 MSWR3/FZY	
		409	LG1SZZR-0032B	SCREW,DRAWING	+ 1 D2.6 L5.0 SWRCH18A/FZY TAP	
		410	LG1APF0262218	SCREW TAP TITE(B),PAN HEAD	#NAME?	
		517	LG1WZZR-0004D	WASHER	STOPPER	
		518	LG1WZZR-0004A	WASHER	STOPPER	
<b>*** BOARD ASSEMBLY , MAIN PAL SCART ***</b>						
		A46	LG3501R-7805H	BOARD ASSEMBLY	VCR SANYO PAL SCART	
		275	LG4930R-0102A	HOLDER	LED	
		320	LG3720R-D020C	PANEL	VCR - DISTRIBUTOR (PAL-2SCART	
		323	LG3111R-0089C	CASE ASSEMBLY	VCR - PRE-AMP (02-PAL)	
⚠		C101	LG624-088K	CAPACITOR	ECQU2A104ML 0.1UF/275VAC 7.5 T	ALTERNATE
⚠		C101	LG624-088L	CAPACITOR,DRAWING	435D SUNIL ELECTRONICS 0.1UF/2	
⚠		C102	LG624-088K	CAPACITOR	ECQU2A104ML 0.1UF/275VAC 7.5 T	ALTERNATE
⚠		C102	LG624-088L	CAPACITOR,DRAWING	435D SUNIL ELECTRONICS 0.1UF/2	
		C103	LG0CE476CU611	CAPACITOR,AL.ELECTROLYTIC	47UF SHL,SD 400V M FL BK7.5	
		C105	LG0CQ1031Y519	CAPACITOR,POLYESTER	0.01UF D 630V K PE NI TP	
		C106	LG624-087B	CAPACITOR	HIGH-VOL 100P/1KV SMPS SAMHWA	
		C109	LG0CE1064K638	CAPACITOR,FIXED ELECTROLYTIC	10M SRA 50V M FM5 TP(5)	
⚠		C112	LG0CG3320U630	CAPACITOR,SEMI CERAMIC	3300 PF 400V M E R(NK,AD,SD)	
⚠		C112	LG0CG3320U632	CAPACITOR,FIXED CERAMIC(TEMP.C	3300PF D 400V 20% R Y ( N 800	ALTERNATE
⚠		C113	LG0CG3310U510	CAPACITOR,FIXED CERAMIC(TEMP.C	330PF D 400V 10% B(Y5P) R	
		C114	LG0CQ4732K409	CAPACITOR,FIXED FILM	0.047UF S 50V J PE TP	
		C115	LG624-085D	CAPACITOR	CE 47UF/50V KME (SMPS)	
		C116	LG0CE108BF630	CAPACITOR,FIXED ELECTROLYTIC	1000UF KME 16V M FM5 BULK	
		C117	LG624-082H	CAPACITOR	CE 1000UF/10V SHL(10*12.5)T/P	
		C120	LG0CE477BH630	CAPACITOR,AL.ELECTROLYTIC	470UF KME TYPE 25V M FM5 BULK	
		C121	LG0CE227CH618	CAPACITOR,FIXED ELECTROLYTIC	220UF SHL,SD 25V 20% FL TP 5	
		C123	LG0CE337BJ610	CAPACITOR,AL.ELECTROLYTIC	330UF KME TYPE 35V M FL BULK	
		C127	LG0CN223AK948	CAPACITOR,TUBULAR(HIGH DIELEC)	0.022UF 50V Z F TA26 S	
		C135	LG0CN4710K518	CAPACITOR TUBULA(HIGH DIELE)	470P 50V K B TA26	
		C153	LG0CE1064F638	CAPACITOR,ELECTROLYTIC	10M SRA 16V M FM5 TP(5)	
		C190	LG0CE1064F638	CAPACITOR,ELECTROLYTIC	10M SRA 16V M FM5 TP(5)	
		C301	LG0CE4754K638	CAPACITOR,FIXED ELECTROLYTIC	4.7UF SRA,SS 50V 20% FM5 TP 5	
		C302	LG0CE2264F638	CAPACITOR,ELECTROLYTIC	22M SRA 16V M FM5 TP(5)	
		C303	LG0CN1220F668	CAPACITOR TUBULA(HIGH DIELE)	1200P 16V M X TA26	
		C304	LG0CE4764F638	CAPACITOR,ELECTROLYTIC	47M SRA/SS 16V M FM5 TP(5)	
		C305	LG0CN1030F678	CAPACITOR TUBULA(HIGH DIELE)	0.01M 16V M Y TA26	
		C306	LG0CN1220F668	CAPACITOR TUBULA(HIGH DIELE)	1200P 16V M X TA26	
		C307	LG0CE1054K638	CAPACITOR,ELECTROLYTIC	1.0M SRA/SS50V M FM5 TP(5)	
		C308	LG0CQ1532K409	CAPACITOR,FIXED FILM	0.015UF S 50V J PE TP	
		C309	LG0CN1210K518	CAPACITOR TUBULA(HIGH DIELE)	120P 50V K B TA26	
		C310	LG0CQ1032K409	CAPACITOR,POLYESTER(MYLAR)	0.01UF S 50V J PE TP	
		C311	LG0CE4765K618	CAPACITOR,AL.ELECTROLYTIC	47UF SR,SV 50V M FL TP 5	
		C312	LG0CN1030F678	CAPACITOR TUBULA(HIGH DIELE)	0.01M 16V M Y TA26	
		C313	LG0CQ2232L559	CAPACITOR,POLYESTER	0.022UF S 63V K PP NI TP5	
		C314	LG0CE2264F638	CAPACITOR,ELECTROLYTIC	22M SRA 16V M FM5 TP(5)	
		C315	LG0CE2253K636	CAPACITOR,FIXED ELECTROLYTIC	2.2UF SRE,SE 50V 20% FM5 BP(D)	
		C316	LG0CE1064F638	CAPACITOR,ELECTROLYTIC	10M SRA 16V M FM5 TP(5)	
		C317	LG0CN1030F678	CAPACITOR TUBULA(HIGH DIELE)	0.01M 16V M Y TA26	
		C318	LG0CE1054K638	CAPACITOR,ELECTROLYTIC	1.0M SRA/SS50V M FM5 TP(5)	

VHR-H803E

S	AL	LOCA. NO.	PART NO.	DESCRIPTION	SPECIFICATION	REMARKS
		C319	LG0CQ1032K409	CAPACITOR,POLYESTER(MYLAR)	0.01UF S 50V J PE TP	
		C320	LG0CE1054K638	CAPACITOR,ELECTROLYTIC	1.0M SRA/SS50V M FM5 TP(5)	
		C321	LG0CX6800K408	CAPACITOR TUBULA(T.C)	68P 50V J SL TA26	
		C322	LG0CE1064F638	CAPACITOR,ELECTROLYTIC	10M SRA 16V M FM5 TP(5)	
		C323	LG0CE1064F638	CAPACITOR,ELECTROLYTIC	10M SRA 16V M FM5 TP(5)	
		C324	LG0CE4754K638	CAPACITOR,FIXED ELECTROLYTIC	4.7UF SRA,SS 50V 20% FM5 TP 5	
		C325	LG0CE1064F638	CAPACITOR,ELECTROLYTIC	10M SRA 16V M FM5 TP(5)	
		C326	LG0CN1030F678	CAPACITOR TUBULA(HIGH DIELE)	0.01M 16V M Y TA26	
		C327	LG0CE1054K638	CAPACITOR,ELECTROLYTIC	1.0M SRA/SS50V M FM5 TP(5)	
		C328	LG0CN1030F678	CAPACITOR TUBULA(HIGH DIELE)	0.01M 16V M Y TA26	
		C329	LG0CN1030F678	CAPACITOR TUBULA(HIGH DIELE)	0.01M 16V M Y TA26	
		C330	LG0CN1040K948	CAPACITOR,FIXED TUBULAR(High d	0.1UF D 50V 80%,-20% F(Y5V) TA	
		C331	LG0CE1064F638	CAPACITOR,ELECTROLYTIC	10M SRA 16V M FM5 TP(5)	
		C333	LG0CE4764F638	CAPACITOR,ELECTROLYTIC	47M SRA/SS 16V M FM5 TP(5)	
		C334	LG0CN4730K948	CAPACITOR,FIXED TUBULAR(High d	0.047UF D 50V 80%,-20% F(Y5V)	
		C335	LG0CN1030F678	CAPACITOR TUBULA(HIGH DIELE)	0.01M 16V M Y TA26	
		C336	LG0CE4764F638	CAPACITOR,ELECTROLYTIC	47M SRA/SS 16V M FM5 TP(5)	
		C337	LG0CE1054K638	CAPACITOR,ELECTROLYTIC	1.0M SRA/SS50V M FM5 TP(5)	
		C338	LG0CN4730K948	CAPACITOR,FIXED TUBULAR(High d	0.047UF D 50V 80%,-20% F(Y5V)	
		C339	LG0CE1054K638	CAPACITOR,ELECTROLYTIC	1.0M SRA/SS50V M FM5 TP(5)	
		C340	LG0CN4730K948	CAPACITOR,FIXED TUBULAR(High d	0.047UF D 50V 80%,-20% F(Y5V)	
		C341	LG0CN223AK948	CAPACITOR,TUBULAR(HIGH DIELEC)	0.022UF 50V Z F TA26 S	
		C342	LG0CN1040K948	CAPACITOR,FIXED TUBULAR(High d	0.1UF D 50V 80%,-20% F(Y5V) TA	
		C343	LG0CN4730K948	CAPACITOR,FIXED TUBULAR(High d	0.047UF D 50V 80%,-20% F(Y5V)	
		C344	LG0CN1010K518	CAPACITOR,TUBULAR(HIGH DIELEC)	100P 50V K B TA26	
		C345	LG0CN3330K518	CAPACITOR,FIXED TUBULAR(High d	0.033UF 50V K B TA26	
		C346	LG0CE4764F638	CAPACITOR,ELECTROLYTIC	47M SRA/SS 16V M FM5 TP(5)	
		C347	LG0CE1054K638	CAPACITOR,ELECTROLYTIC	1.0M SRA/SS50V M FM5 TP(5)	
		C348	LG0CE1054K638	CAPACITOR,ELECTROLYTIC	1.0M SRA/SS50V M FM5 TP(5)	
		C349	LG0CE4764F638	CAPACITOR,ELECTROLYTIC	47M SRA/SS 16V M FM5 TP(5)	
		C353	LG0CE1054K638	CAPACITOR,ELECTROLYTIC	1.0M SRA/SS50V M FM5 TP(5)	
		C355	LG0CN1040K948	CAPACITOR,FIXED TUBULAR(High d	0.1UF D 50V 80%,-20% F(Y5V) TA	
		C356	LG0CE1054K638	CAPACITOR,ELECTROLYTIC	1.0M SRA/SS50V M FM5 TP(5)	
		C357	LG0CE1054K638	CAPACITOR,ELECTROLYTIC	1.0M SRA/SS50V M FM5 TP(5)	
		C358	LG0CX6800K408	CAPACITOR TUBULA(T.C)	68P 50V J SL TA26	
		C359	LG0CE1054K638	CAPACITOR,ELECTROLYTIC	1.0M SRA/SS50V M FM5 TP(5)	
		C360	LG0CN1040K948	CAPACITOR,FIXED TUBULAR(High d	0.1UF D 50V 80%,-20% F(Y5V) TA	
		C361	LG0CN223AK948	CAPACITOR,TUBULAR(HIGH DIELEC)	0.022UF 50V Z F TA26 S	
		C362	LG0CE1064F638	CAPACITOR,ELECTROLYTIC	10M SRA 16V M FM5 TP(5)	
		C363	LG0CN1030F678	CAPACITOR TUBULA(HIGH DIELE)	0.01M 16V M Y TA26	
		C364	LG0CE4764F638	CAPACITOR,ELECTROLYTIC	47M SRA/SS 16V M FM5 TP(5)	
		C365	LG0CE1064F638	CAPACITOR,ELECTROLYTIC	10M SRA 16V M FM5 TP(5)	
		C366	LG0CN1040K948	CAPACITOR,FIXED TUBULAR(High d	0.1UF D 50V 80%,-20% F(Y5V) TA	
		C367	LG0CN1040K948	CAPACITOR,FIXED TUBULAR(High d	0.1UF D 50V 80%,-20% F(Y5V) TA	
		C368	LG0CQ8224K409	CAPACITOR,FIXED FILM	0.0082UF TE 50V 5% PE TP5	
		C369	LG0CN1010K518	CAPACITOR,TUBULAR(HIGH DIELEC)	100P 50V K B TA26	
		C370	LG0CN8200K418	CAPACITOR TUBULA(HIGH DIELE)	82P 50V J B TA26	
		C371	LG0CN8200K418	CAPACITOR TUBULA(HIGH DIELE)	82P 50V J B TA26	
		C372	LG0CN8200K418	CAPACITOR TUBULA(HIGH DIELE)	82P 50V J B TA26	
		C373	LG0CN1040K948	CAPACITOR,FIXED TUBULAR(High d	0.1UF D 50V 80%,-20% F(Y5V) TA	
		C375	LG0CN1020K518	CAPACITOR TUBULA(HIGH DIELE)	1000P 50V K B TA26	
		C500	LG624-074A	CAPACITOR,DRAWING	SUPER CAP 0.047F/5.5V T/P S/S	
		C501	LG0CN1040K948	CAPACITOR,FIXED TUBULAR(High d	0.1UF D 50V 80%,-20% F(Y5V) TA	
		C502	LG0CE4764F638	CAPACITOR,ELECTROLYTIC	47M SRA/SS 16V M FM5 TP(5)	
		C503	LG0CE2274C638	CAPACITOR,ELECTROLYTIC	220M SRA 6.3V M FM5 TP(5)	
		C504	LG0CE2274C638	CAPACITOR,ELECTROLYTIC	220M SRA 6.3V M FM5 TP(5)	
		C505	LG0CE4764F638	CAPACITOR,ELECTROLYTIC	47M SRA/SS 16V M FM5 TP(5)	
		C506	LG0CN223AK948	CAPACITOR,TUBULAR(HIGH DIELEC)	0.022UF 50V Z F TA26 S	
		C508	LG0CN1030F678	CAPACITOR TUBULA(HIGH DIELE)	0.01M 16V M Y TA26	

VHR-H803E

S	AL	LOCA. NO.	PART NO.	DESCRIPTION	SPECIFICATION	REMARKS
		C509	LG0CC2200K415	CAPACITOR,CERAMIC(TEMP COMP)	22P 50V J NP0 TS	
		C510	LG0CE2274C638	CAPACITOR,ELECTROLYTIC	220M SRA 6.3V M FM5 TP(5)	
		C511	LG0CN1040K948	CAPACITOR,FIXED TUBULAR(High d	0.1UF D 50V 80%,-20% F(Y5V) TA	
		C512	LG0CN1020K518	CAPACITOR TUBULA(HIGH DIELE)	1000P 50V K B TA26	
		C513	LG0CN1020K518	CAPACITOR TUBULA(HIGH DIELE)	1000P 50V K B TA26	
		C514	LG0CC1200K415	CAPACITOR,FIXED CERAMIC(TEMP.C	12PF 2012 50V 5% NP0 TR	
		C515	LG0CC1500K415	CAPACITOR,CERAMIC(TEMP COMP)	15P 50V J NP0 TS	
		C516	LG0CN223AK948	CAPACITOR,TUBULAR(HIGH DIELEC)	0.022UF 50V Z F TA26 S	
		C518	LG0CN1030F678	CAPACITOR TUBULA(HIGH DIELE)	0.01M 16V M Y TA26	
		C519	LG0CN1040K948	CAPACITOR,FIXED TUBULAR(High d	0.1UF D 50V 80%,-20% F(Y5V) TA	
		C520	LG0CN1020K518	CAPACITOR TUBULA(HIGH DIELE)	1000P 50V K B TA26	
		C523	LG0CE2254K638	CAPACITOR,FIXED ELECTROLYTIC	2.2UF SRA,SS 50V 20% FM5 TP 5	
		C524	LG0CE4764F638	CAPACITOR,ELECTROLYTIC	47M SRA/SS 16V M FM5 TP(5)	
		C525	LG0CE2274C638	CAPACITOR,ELECTROLYTIC	220M SRA 6.3V M FM5 TP(5)	
		C526	LG0CE4764J638	CAPACITOR,AL.ELECTROLYTIC	47UF SRA,SS 35V M FM5 TP 5	
		C527	LG0CN2210K518	CAPACITOR TUBULA(HIGH DIELE)	220P 50V K B TA26	
		C533	LG0CN1020K518	CAPACITOR TUBULA(HIGH DIELE)	1000P 50V K B TA26	
		C534	LG0CE4754K638	CAPACITOR,FIXED ELECTROLYTIC	4.7UF SRA,SS 50V 20% FM5 TP 5	
		C535	LG0CE4754K638	CAPACITOR,FIXED ELECTROLYTIC	4.7UF SRA,SS 50V 20% FM5 TP 5	
		C543	LG0CN2220F668	CAPACITOR,TUBULAR(HIGH DIELEC)	2200P 16V M X TA26	
		C544	LG0CQ4732K409	CAPACITOR,FIXED FILM	0.047UF S 50V J PE TP	
		C545	LG0CN3330K518	CAPACITOR,FIXED TUBULAR(High d	0.033UF 50V K B TA26	
		C546	LG0CE4764J638	CAPACITOR,AL.ELECTROLYTIC	47UF SRA,SS 35V M FM5 TP 5	
		C547	LG0CN1030F678	CAPACITOR TUBULA(HIGH DIELE)	0.01M 16V M Y TA26	
		C551	LG0CQ3332K409	CAPACITOR,FIXED FILM	0.033UF S 50V J PE TP	
		C552	LG0CN1030F678	CAPACITOR TUBULA(HIGH DIELE)	0.01M 16V M Y TA26	
		C561	LG0CE2274C638	CAPACITOR,ELECTROLYTIC	220M SRA 6.3V M FM5 TP(5)	
		C564	LG0CN1020K518	CAPACITOR TUBULA(HIGH DIELE)	1000P 50V K B TA26	
		C567	LG0CN1020K518	CAPACITOR TUBULA(HIGH DIELE)	1000P 50V K B TA26	
		C570	LG0CC1500K415	CAPACITOR,CERAMIC(TEMP COMP)	15P 50V J NP0 TS	
		C571	LG0CC1500K415	CAPACITOR,CERAMIC(TEMP COMP)	15P 50V J NP0 TS	
		C575	LG0CN1020K518	CAPACITOR TUBULA(HIGH DIELE)	1000P 50V K B TA26	
		C576	LG0CC2700K415	CAPACITOR CERAMIC(TEMP COMP)	27P 50V J NP0 TP	
		C577	LG0CN223AK948	CAPACITOR,TUBULAR(HIGH DIELEC)	0.022UF 50V Z F TA26 S	
		C578	LG0CN2220F668	CAPACITOR,TUBULAR(HIGH DIELEC)	2200P 16V M X TA26	
		C581	LG0CN1030F678	CAPACITOR TUBULA(HIGH DIELE)	0.01M 16V M Y TA26	
		C582	LG0CN1030F678	CAPACITOR TUBULA(HIGH DIELE)	0.01M 16V M Y TA26	
		C583	LG0CN1040K948	CAPACITOR,FIXED TUBULAR(High d	0.1UF D 50V 80%,-20% F(Y5V) TA	
		C589	LG0CQ2232K409	CAPACITOR,FIXED FILM	0.022UF S 50V J PE TP	
		C596	LG0CN1040K948	CAPACITOR,FIXED TUBULAR(High d	0.1UF D 50V 80%,-20% F(Y5V) TA	
		C5A3	LG0CN1040K948	CAPACITOR,FIXED TUBULAR(High d	0.1UF D 50V 80%,-20% F(Y5V) TA	
		C5A4	LG0CN1030F678	CAPACITOR TUBULA(HIGH DIELE)	0.01M 16V M Y TA26	
		C5A5	LG0CE1054K638	CAPACITOR,ELECTROLYTIC	1.0M SRA/SS50V M FM5 TP(5)	
		C5G1	LG0CN1020K518	CAPACITOR TUBULA(HIGH DIELE)	1000P 50V K B TA26	
		C5G2	LG0CE1086C638	CAPACITOR,FIXED ELECTROLYTIC	1000000000 PF SMS,SG 6.3V M FM	
		C5G3	LG0CN1040K948	CAPACITOR,FIXED TUBULAR(High d	0.1UF D 50V 80%,-20% F(Y5V) TA	
		C5K1	LG0CN1040K948	CAPACITOR,FIXED TUBULAR(High d	0.1UF D 50V 80%,-20% F(Y5V) TA	
		C5R1	LG0CE3364F638	CAPACITOR,ELECTROLYTIC	33M SRA 16V M FM5 TP(5)	
		C5R2	LG0CN6810K518	CAPACITOR TUBULA(HIGH DIELE)	680P 50V K B TA26	
		C5S1	LG0CX4300K408	CAPACITOR TUBULA(T.C)	43P 50V J SL TA26	
		C5S3	LG0CN223AK948	CAPACITOR,TUBULAR(HIGH DIELEC)	0.022UF 50V Z F TA26 S	
		C701	LG0CE4754K638	CAPACITOR,FIXED ELECTROLYTIC	4.7UF SRA,SS 50V 20% FM5 TP 5	
		C704	LG0CE4764F638	CAPACITOR,ELECTROLYTIC	47M SRA/SS 16V M FM5 TP(5)	
		C705	LG0CN1030F678	CAPACITOR TUBULA(HIGH DIELE)	0.01M 16V M Y TA26	
		C706	LG0CE4775C618	CAPACITOR,AL.ELECTROLYTIC	470UF SR,SV 6.3V M FL TP 5	
		C707	LG0CN1030F678	CAPACITOR TUBULA(HIGH DIELE)	0.01M 16V M Y TA26	
		C710	LG0CX6800K408	CAPACITOR TUBULA(T.C)	68P 50V J SL TA26	
		C711	LG0CX3300K408	CAPACITOR TUBULA(T.C)	33P 50V J SL TA26	
		C712	LG0CX5R60K508	CAPACITOR TUBULA(T.C)	5.6PF 50V K SL TA26	

VHR-H803E

S	AL	LOCA. NO.	PART NO.	DESCRIPTION	SPECIFICATION	REMARKS
		C713	LG0CE4764F638	CAPACITOR,ELECTROLYTIC	47M SRA/SS 16V M FM5 TP(5)	
		C714	LG0CN1030F678	CAPACITOR TUBULA(HIGH DIELE)	0.01M 16V M Y TA26	
		C751	LG0CE4764F638	CAPACITOR,ELECTROLYTIC	47M SRA/SS 16V M FM5 TP(5)	
		C752	LG0CN1030F678	CAPACITOR TUBULA(HIGH DIELE)	0.01M 16V M Y TA26	
		C753	LG0CX5600K408	CAPACITOR,TUBULAR(T.C)	56P 50V J SL TA26	
		C754	LG0CX5600K408	CAPACITOR,TUBULAR(T.C)	56P 50V J SL TA26	
		C755	LG0CE4764F638	CAPACITOR,ELECTROLYTIC	47M SRA/SS 16V M FM5 TP(5)	
		C756	LG0CN1030F678	CAPACITOR TUBULA(HIGH DIELE)	0.01M 16V M Y TA26	
		C757	LG0CE4764F638	CAPACITOR,ELECTROLYTIC	47M SRA/SS 16V M FM5 TP(5)	
		C758	LG0CE1064F638	CAPACITOR,ELECTROLYTIC	10M SRA 16V M FM5 TP(5)	
		C759	LG0CE1064F638	CAPACITOR,ELECTROLYTIC	10M SRA 16V M FM5 TP(5)	
		C760	LG0CN1030F678	CAPACITOR TUBULA(HIGH DIELE)	0.01M 16V M Y TA26	
		C761	LG0CN1030F678	CAPACITOR TUBULA(HIGH DIELE)	0.01M 16V M Y TA26	
		C764	LG0CN3920F668	CAPACITOR TUBULA(HIGH DIELE)	3900P 16V M X TA26	
		C765	LG0CN1520F668	CAPACITOR,TUBULAR(HIGH DIELEC)	1500P 16V M X TA26	
		C766	LG0CE3354K638	CAPACITOR,FIXED ELECTROLYTIC	3.3UF SRA,SS 50V 20% FM5 TP 5	
		C769	LG0CE1064F638	CAPACITOR,ELECTROLYTIC	10M SRA 16V M FM5 TP(5)	
		C770	LG0CN1020K518	CAPACITOR TUBULA(HIGH DIELE)	1000P 50V K B TA26	
		C771	LG0CN1030F678	CAPACITOR TUBULA(HIGH DIELE)	0.01M 16V M Y TA26	
		C772	LG0CC0500K015	CAPACITOR,CERAMIC(TEMP COMP)	5P 50V C NP0 TR	
		C773	LG0CC0800K015	CAPACITOR CERAMIC(TEMP COMP)	8P 50V C NP0 TS	
		C790	LG0CN1030F678	CAPACITOR TUBULA(HIGH DIELE)	0.01M 16V M Y TA26	
		C7M2	LG0CE1064F638	CAPACITOR,ELECTROLYTIC	10M SRA 16V M FM5 TP(5)	
		C7M3	LG0CX2700K408	CAPACITOR TUBULA(T.C)	27P 50V J SL TA26	
		C7M6	LG0CX2700K408	CAPACITOR TUBULA(T.C)	27P 50V J SL TA26	
		C7V1	LG0CE4764F638	CAPACITOR,ELECTROLYTIC	47M SRA/SS 16V M FM5 TP(5)	
		C7V2	LG0CN223AK948	CAPACITOR,TUBULAR(HIGH DIELEC)	0.022UF 50V Z F TA26 S	
		C7V3	LG0CE1054K638	CAPACITOR,ELECTROLYTIC	1.0M SRA/SS50V M FM5 TP(5)	
		C7V4	LG0CN4730K948	CAPACITOR,FIXED TUBULAR(High d	0.047UF D 50V 80%,-20% F(Y5V)	
		C7V5	LG0CN4730K948	CAPACITOR,FIXED TUBULAR(High d	0.047UF D 50V 80%,-20% F(Y5V)	
		C805	LG0CN1040K948	CAPACITOR,FIXED TUBULAR(High d	0.1UF D 50V 80%,-20% F(Y5V) TA	
		C806	LG0CE4754K638	CAPACITOR,FIXED ELECTROLYTIC	4.7UF SRA,SS 50V 20% FM5 TP 5	
		C807	LG0CE4754K638	CAPACITOR,FIXED ELECTROLYTIC	4.7UF SRA,SS 50V 20% FM5 TP 5	
		C808	LG0CN1040K948	CAPACITOR,FIXED TUBULAR(High d	0.1UF D 50V 80%,-20% F(Y5V) TA	
		C809	LG0CN1040K948	CAPACITOR,FIXED TUBULAR(High d	0.1UF D 50V 80%,-20% F(Y5V) TA	
		C810	LG0CE1064F638	CAPACITOR,ELECTROLYTIC	10M SRA 16V M FM5 TP(5)	
		C811	LG0CE1064F638	CAPACITOR,ELECTROLYTIC	10M SRA 16V M FM5 TP(5)	
		C813	LG0CE1064F638	CAPACITOR,ELECTROLYTIC	10M SRA 16V M FM5 TP(5)	
		C814	LG0CE1064F638	CAPACITOR,ELECTROLYTIC	10M SRA 16V M FM5 TP(5)	
		C817	LG0CE1064F638	CAPACITOR,ELECTROLYTIC	10M SRA 16V M FM5 TP(5)	
		C818	LG0CE4754K638	CAPACITOR,FIXED ELECTROLYTIC	4.7UF SRA,SS 50V 20% FM5 TP 5	
		C819	LG0CE1064F638	CAPACITOR,ELECTROLYTIC	10M SRA 16V M FM5 TP(5)	
		C820	LG0CQ6822K409	CAPACITOR,POLYESTER(MYLAR)	6800PF S 50V J PE TP	
		C821	LG0CE4764F638	CAPACITOR,ELECTROLYTIC	47M SRA/SS 16V M FM5 TP(5)	
		C822	LG0CE1064F638	CAPACITOR,ELECTROLYTIC	10M SRA 16V M FM5 TP(5)	
		C823	LG0CE1064F638	CAPACITOR,ELECTROLYTIC	10M SRA 16V M FM5 TP(5)	
		C824	LG0CE1064F638	CAPACITOR,ELECTROLYTIC	10M SRA 16V M FM5 TP(5)	
		C825	LG0CE4764F638	CAPACITOR,ELECTROLYTIC	47M SRA/SS 16V M FM5 TP(5)	
		C826	LG0CQ6822K409	CAPACITOR,POLYESTER(MYLAR)	6800PF S 50V J PE TP	
		C827	LG0CE1064F638	CAPACITOR,ELECTROLYTIC	10M SRA 16V M FM5 TP(5)	
		C828	LG0CE4764F638	CAPACITOR,ELECTROLYTIC	47M SRA/SS 16V M FM5 TP(5)	
		C829	LG0CN1030F678	CAPACITOR TUBULA(HIGH DIELE)	0.01M 16V M Y TA26	
		C830	LG0CN1040K948	CAPACITOR,FIXED TUBULAR(High d	0.1UF D 50V 80%,-20% F(Y5V) TA	
		C831	LG0CN1030F678	CAPACITOR TUBULA(HIGH DIELE)	0.01M 16V M Y TA26	
		C832	LG0CE4764F638	CAPACITOR,ELECTROLYTIC	47M SRA/SS 16V M FM5 TP(5)	
		C835	LG0CE4744K638	CAPACITOR,ELECTROLYTIC	0.47M SRA 50V M FM5 TP(5)	
		C8R1	LG0CN1020K518	CAPACITOR TUBULA(HIGH DIELE)	1000P 50V K B TA26	
		C8R2	LG0CN1020K518	CAPACITOR TUBULA(HIGH DIELE)	1000P 50V K B TA26	
		C901	LG0CN1020K518	CAPACITOR TUBULA(HIGH DIELE)	1000P 50V K B TA26	



VHR-H803E

S	AL	LOCA. NO.	PART NO.	DESCRIPTION	SPECIFICATION	REMARKS
		C902	LG0CE477CF638	CAPACITOR,AL,ELECTROLYTIC	470UF SHL TYPE 16V M FM5 TP 5	
		C903	LG0CN1020K518	CAPACITOR TUBULA(HIGH DIELE)	1000P 50V K B TA26	
		C904	LG0CN1020K518	CAPACITOR TUBULA(HIGH DIELE)	1000P 50V K B TA26	
		C909	LG0CN1040K948	CAPACITOR,FIXED TUBULAR(High d	0.1UF D 50V 80%,-20% F(Y5V) TA	
		C911	LG0CN1020K518	CAPACITOR TUBULA(HIGH DIELE)	1000P 50V K B TA26	
		C912	LG0CE477CF638	CAPACITOR,AL,ELECTROLYTIC	470UF SHL TYPE 16V M FM5 TP 5	
		C914	LG0CN1020K518	CAPACITOR TUBULA(HIGH DIELE)	1000P 50V K B TA26	
		C915	LG0CN1040K948	CAPACITOR,FIXED TUBULAR(High d	0.1UF D 50V 80%,-20% F(Y5V) TA	
		C917	LG0CX2700K408	CAPACITOR TUBULA(T.C)	27P 50V J SL TA26	
		C920	LG0CN1040K948	CAPACITOR,FIXED TUBULAR(High d	0.1UF D 50V 80%,-20% F(Y5V) TA	
		C921	LG0CN1040K948	CAPACITOR,FIXED TUBULAR(High d	0.1UF D 50V 80%,-20% F(Y5V) TA	
		C956	LG0CE1054K638	CAPACITOR,ELECTROLYTIC	1.0M SRA/SS50V M FM5 TP(5)	
		C957	LG0CX2700K408	CAPACITOR TUBULA(T.C)	27P 50V J SL TA26	
		C960	LG0CN1040K948	CAPACITOR,FIXED TUBULAR(High d	0.1UF D 50V 80%,-20% F(Y5V) TA	
		C961	LG0CE1064F638	CAPACITOR,ELECTROLYTIC	10M SRA 16V M FM5 TP(5)	
		C9F1	LG0CN1020K518	CAPACITOR TUBULA(HIGH DIELE)	1000P 50V K B TA26	
		C9F2	LG0CN1020K518	CAPACITOR TUBULA(HIGH DIELE)	1000P 50V K B TA26	
		C9F3	LG0CN1040K948	CAPACITOR,FIXED TUBULAR(High d	0.1UF D 50V 80%,-20% F(Y5V) TA	
		C9F4	LG0CN1040K948	CAPACITOR,FIXED TUBULAR(High d	0.1UF D 50V 80%,-20% F(Y5V) TA	
		C9F5	LG0CN1040K948	CAPACITOR,FIXED TUBULAR(High d	0.1UF D 50V 80%,-20% F(Y5V) TA	
		FL301	LG633-032K	COIL,IFT	BIAC OSC,1CHIP 5V(KS-75M) KWAN	
		L103	LG633-088G	COIL,CHOKE	CHOCK(22MH) 5MM TOKO TP	
		L104	LG633-088G	COIL,CHOKE	CHOCK(22MH) 5MM TOKO TP	
		L301	LG0LR0102J0N5	INDUCTOR,RADIAL LEAD	10UH 5% TP 3X5 TR5	
		L301	LG0LR0102K0P5	INDUCTOR,RADIAL LEAD	LF7.5N OEL 10UH 10% TP 4.8X4.0	ALTERNATE
		L301	LGGLR0102K0P5	INDUCTOR,RADIAL LEAD	LF7.5N OEL 10UH 10% TP 4.8X4.0	ALTERNATE
		L302	LG0LR1000K035	INDUCTOR RADIAL LEAD	100M K 6X6 L5 TP	
		L303	LG0LR0102J0N5	INDUCTOR,RADIAL LEAD	10UH 5% TP 3X5 TR5	
		L303	LG0LR0102K0P5	INDUCTOR,RADIAL LEAD	LF7.5N OEL 10UH 10% TP 4.8X4.0	ALTERNATE
		L303	LGGLR0102K0P5	INDUCTOR,RADIAL LEAD	LF7.5N OEL 10UH 10% TP 4.8X4.0	ALTERNATE
		L304	LG0LR0102J0N5	INDUCTOR,RADIAL LEAD	10UH 5% TP 3X5 TR5	
		L304	LG0LR0102K0P5	INDUCTOR,RADIAL LEAD	LF7.5N OEL 10UH 10% TP 4.8X4.0	ALTERNATE
		L304	LGGLR0102K0P5	INDUCTOR,RADIAL LEAD	LF7.5N OEL 10UH 10% TP 4.8X4.0	ALTERNATE
		L305	LG0LR1000K035	INDUCTOR RADIAL LEAD	100M K 6X6 L5 TP	
		L307	LG0LR0102J0N5	INDUCTOR,RADIAL LEAD	10UH 5% TP 3X5 TR5	
		L307	LG0LR0102K0P5	INDUCTOR,RADIAL LEAD	LF7.5N OEL 10UH 10% TP 4.8X4.0	ALTERNATE
		L307	LGGLR0102K0P5	INDUCTOR,RADIAL LEAD	LF7.5N OEL 10UH 10% TP 4.8X4.0	ALTERNATE
		L501	LG0LA0122K018	INDUCTOR AXIAL LEAD	12M K 2.3X3.4 L5 TP	
		L503	LG0LR1000K035	INDUCTOR RADIAL LEAD	100M K 6X6 L5 TP	
		L504	LG0LR0102J0N5	INDUCTOR,RADIAL LEAD	10UH 5% TP 3X5 TR5	
		L504	LG0LR0102K0P5	INDUCTOR,RADIAL LEAD	LF7.5N OEL 10UH 10% TP 4.8X4.0	ALTERNATE
		L505	LG0LR1000K035	INDUCTOR RADIAL LEAD	100M K 6X6 L5 TP	
		L506	LG635-027C	INDUCTOR,RADIAL LEAD	EL0405RA SKI150G-3 K-TDK 15UH	
		L5G2	LG0LR1500K035	INDUCTOR RADIAL LEAD	150M K 6X6 L5 TP	
		L5S1	LG0LA0332K018	INDUCTOR AXIAL LEAD	33M K 2.3X3.4 L5 TP	
		L702	LG0LR1000K035	INDUCTOR RADIAL LEAD	100M K 6X6 L5 TP	
		L702	LGGLR1000K0P5	INDUCTOR,RADIAL LEAD	LF7.5N OEL 100UH 10% TP 4.8X4.	ALTERNATE
		L703	LG0LR1000K035	INDUCTOR RADIAL LEAD	100M K 6X6 L5 TP	
		L703	LGGLR1000K0P5	INDUCTOR,RADIAL LEAD	LF7.5N OEL 100UH 10% TP 4.8X4.	ALTERNATE
		L704	LG0LA0821K018	INDUCTOR AXIAL LEAD	8.2M K 2.3X3.4 L5 TP	
		L705	LG0LR1000K035	INDUCTOR RADIAL LEAD	100M K 6X6 L5 TP	
		L705	LGGLR1000K0P5	INDUCTOR,RADIAL LEAD	LF7.5N OEL 100UH 10% TP 4.8X4.	ALTERNATE
		L751	LG0LR0102J0N5	INDUCTOR,RADIAL LEAD	10UH 5% TP 3X5 TR5	
		L751	LG0LR0102K0P5	INDUCTOR,RADIAL LEAD	LF7.5N OEL 10UH 10% TP 4.8X4.0	ALTERNATE
		L753	LG0LR0102J0N5	INDUCTOR,RADIAL LEAD	10UH 5% TP 3X5 TR5	
		L753	LG0LR0102K0P5	INDUCTOR,RADIAL LEAD	LF7.5N OEL 10UH 10% TP 4.8X4.0	ALTERNATE
		L7V1	LG0LR1000K035	INDUCTOR RADIAL LEAD	100M K 6X6 L5 TP	
		L7V1	LGGLR1000K0P5	INDUCTOR,RADIAL LEAD	LF7.5N OEL 100UH 10% TP 4.8X4.	ALTERNATE
		L801	LG0LR0102J0N5	INDUCTOR,RADIAL LEAD	10UH 5% TP 3X5 TR5	

VHR-H803E

S	AL	LOCA. NO.	PART NO.	DESCRIPTION	SPECIFICATION	REMARKS
		L801	LG0LR0102K0P5	INDUCTOR,RADIAL LEAD	LF7.5N OEL 10UH 10% TP 4.8X4.0	ALTERNATE
		L801	LGGLR0102K0P5	INDUCTOR,RADIAL LEAD	LF7.5N OEL 10UH 10% TP 4.8X4.0	ALTERNATE
		L802	LG0LR0102J0N5	INDUCTOR,RADIAL LEAD	10UH 5% TP 3X5 TR5	
		L802	LGGLR0102K0P5	INDUCTOR,RADIAL LEAD	LF7.5N OEL 10UH 10% TP 4.8X4.0	ALTERNATE
		L802	LG0LR0102K0P5	INDUCTOR,RADIAL LEAD	LF7.5N OEL 10UH 10% TP 4.8X4.0	ALTERNATE
		L8R1	LG0LA1000K018	INDUCTOR AXIAL LEAD	100M K 2.3X3.4 L5 TP	
		L8R2	LG0LA1000K018	INDUCTOR AXIAL LEAD	100M K 2.3X3.4 L5 TP	
		L901	LG0LA1000K018	INDUCTOR AXIAL LEAD	100M K 2.3X3.4 L5 TP	
		L902	LG0LA1000K018	INDUCTOR AXIAL LEAD	100M K 2.3X3.4 L5 TP	
		L904	LG0LA1000K018	INDUCTOR AXIAL LEAD	100M K 2.3X3.4 L5 TP	
		L906	LG0LA1000K018	INDUCTOR AXIAL LEAD	100M K 2.3X3.4 L5 TP	
		L911	LG0LA1000K018	INDUCTOR AXIAL LEAD	100M K 2.3X3.4 L5 TP	
		L912	LG0LA1000K018	INDUCTOR AXIAL LEAD	100M K 2.3X3.4 L5 TP	
		L914	LG0LA1000K018	INDUCTOR AXIAL LEAD	100M K 2.3X3.4 L5 TP	
		L915	LG0LA1000K018	INDUCTOR AXIAL LEAD	100M K 2.3X3.4 L5 TP	
		L9F1	LG0LA1000K018	INDUCTOR AXIAL LEAD	100M K 2.3X3.4 L5 TP	
		L9F2	LG0LA1000K018	INDUCTOR AXIAL LEAD	100M K 2.3X3.4 L5 TP	
△		BD101	LG0DD160000DA	DIODE	S1WBA60(1A 600V) SHIDENKEN	
		D102	LG0DD010009CA	DIODE,RECTIFIER	EG01CW(R-FORM 5MM) TP SANKEN	
		D102	LG0DD221009AA	DIODE,RECTIFIERS	ERA22-10 KFLB,TP ,R T/P,FUJI	
		D103	LG0DR180209AA	DIODE,RECTIFIER	ERA18-02KFRB TP FUJI DO204AL 2	
		D104	LG0DD133009AA	DIODE,SWITCHING	1SS133 DETECT,SW TP	
		D105	LG0DD010009AC	DIODE	EU01W(R-FORM) TP SANKEN	ALTERNATE
		D105	LG0DR104009BA	DIODE,RECTIFIER	RL104F TP RECTRON NON 400V 1A	
		D106	LG0DR810040BA	DIODE,RECTIFIER	ERC81-004L22 BK FUJI DO201AD 4	ALTERNATE
		D106	LG0DR158220AA	DIODE,RECTIFIER	1N5822 BK RECTRON DO201AD 40V	
		D109	LG0DR310000AA	DIODE,RECTIFIERS	RU3YXLF-C1 BK SANKEN D4 100V 2	ALTERNATE
		D109	LG0DR202000AB	DIODE,RECTIFIER	HER202 BK RECTRON NON 100V 2A	
		D110	LG0DD010009AC	DIODE	EU01W(R-FORM) TP SANKEN	ALTERNATE
		D110	LG0DR104009BA	DIODE,RECTIFIER	RL104F TP RECTRON NON 400V 1A	
		D155	LG0DD207000AB	DIODE,RECTIFIERS	2A07 2A RECT(T/S)P=12.5 F DELT	
		D156	LG0DD133009AA	DIODE,SWITCHING	1SS133 DETECT,SW TP	
		D159	LG0DD133009AA	DIODE,SWITCHING	1SS133 DETECT,SW TP	
		D160	LG0DD133009AA	DIODE,SWITCHING	1SS133 DETECT,SW TP	
		D301	LG0DD133009AA	DIODE,SWITCHING	1SS133 DETECT,SW TP	
		D502	LG0DD133009AA	DIODE,SWITCHING	1SS133 DETECT,SW TP	
		D509	LG0DD133009AA	DIODE,SWITCHING	1SS133 DETECT,SW TP	
		D901	LG0DD133009AA	DIODE,SWITCHING	1SS133 DETECT,SW TP	
		D902	LG0DD133009AA	DIODE,SWITCHING	1SS133 DETECT,SW TP	
		D903	LG0DD133009AA	DIODE,SWITCHING	1SS133 DETECT,SW TP	
		D904	LG0DD133009AA	DIODE,SWITCHING	1SS133 DETECT,SW TP	
		L101	LG636-004C	FILTER(CIRC),EMC	BEAD CORE BFS3550R2FD8,R T/P	
△		L102	LG616-145H	FILTER(CIRC)	SHT LFS2020V4-04350	
		L106	LG636-004C	FILTER(CIRC),EMC	BEAD CORE BFS3550R2FD8,R T/P	
		L905	LG636-004C	FILTER(CIRC),EMC	BEAD CORE BFS3550R2FD8,R T/P	
		L907	LG636-004C	FILTER(CIRC),EMC	BEAD CORE BFS3550R2FD8,R T/P	
		W588	LG636-004C	FILTER(CIRC),EMC	BEAD CORE BFS3550R2FD8,R T/P	
△		F101	LG585-011T	FUSE,SLOW BLOW	1600MA 250 V 5.2X20 CY/GL SEMK	
		F102	LG0IRH200000B	IC,ROHM	ICP-N20 T104 TP IC DETACT	
△		IC101	LG0IPMGSK003A	IC,POWER MANAGEMENT	STR-A6351 SANKEN 8 DIP ST SMPS	
		IC103	LG0IKE431000A	IC,KEC	KIA431 3 PIN TP	
		IC301	LG0ILNRSA005B	IC,LINEAR	LA71750EM SANYO 100PIN QFP TRA	
		IC501	LG0IMCRHI027A	IC,MICRO CONTROLLER	HD64322197SA19F HITACHI 112PIN	
		IC503	LG0IAL241600B	IC,ATMEL	AT24C16 - - - -	ALTERNATE
		IC503	LG0ICS241600B	IC,CATALYST	CAT24W16P 8P DIP ST 16K SERIAL	
		IC504	LG0ISS753100A	IC,SAMSUNG ELECTRONICS	KA7531Z TO-92 TP 3.1V RESET	ALTERNATE
		IC504	LG0IKE703100A	IC,KEC	KIA7031P 3P 3.1V RESET(TAPING)	
		IC505	LG0IKE704200B	IC,KEC	KIA7042P 3P 4.2V RESET(TAPING)	
		IC506	LG0ILNRPY001A	IC,LINEAR	PT6955 PTC 24P SOP ST LED DRIV	

VHR-H803E

S	AL	LOCA. NO.	PART NO.	DESCRIPTION	SPECIFICATION	REMARKS
		IC751	LG0IIT341700B	IC,ITT	MSP3417D-QG QFP44 BK NICAM+A2	
		IC751	LG0IIT341700C	IC,ITT	MSP3417G-QG-B8-V3 44 QFP TRAY	ALTERNATE
		IC7V1	LG0ILNRMN001A	IC,LINEAR	SDA5650 MICRONAS 14 DIP ST VPS	
		IC801	LG0IPH960500A	IC,PHILIPS	TDA9605H QFP44 BK HIFI AMP+HIF	
		JK801	LG6612R-C002C	JACK,RCA	RCA-208C-06 YUQIU WH-RD	
		JK901	LG6620RM0002L	JACK,SCART	DSAM-0139 DOOWON 2F-21P(BK-BK)	
		LD501	LG4931R-0017C	HOLDER ASSY	LED(DI-CKD)LOCAL	
		LED501	LG6301R2U002D	LED ASSY	TOF-3462AGE-B OASIS UNIVERSAL	
		LED501	LG6301R3U002D	LED ASSEMBLY	ELF347GWB/S285 EVERLIGHT UNIVE	ALTERNATE
		Q151	LG0TR127309AA	TRANSISTOR	KTA1273-TP-Y (KTA966A)KEC	
		Q151	LG0TR928009AD	TRANSISTOR	KSA928A-Y,TO-92L TP SAMSUNG TO	ALTERNATE
		Q152	LG0TR127309AA	TRANSISTOR	KTA1273-TP-Y (KTA966A)KEC	
		Q152	LG0TR928009AD	TRANSISTOR	KSA928A-Y,TO-92L TP SAMSUNG TO	ALTERNATE
		Q154	LG0TR126809BA	TRANSISTOR,BIPOLARS	KTA1268-BL TP KEC	
		Q155	LG0TR320509AB	TRANSISTOR	KTC3205-TP-Y (KTC2236A)KEC	
		Q155	LG0TR232809AB	TRANSISTOR	KSC2328A-Y TP SAMSUNG TO-92L	ALTERNATE
		Q157	LG0TR100309AA	TRANSISTOR	KSR1003 TP (S/S)	ALTERNATE
		Q157	LG0TR120309AE	TRANSISTOR	SRC1203 TP AUK TO92 22K,22K	
		Q159	LG0TR127309AA	TRANSISTOR	KTA1273-TP-Y (KTA966A)KEC	
		Q159	LG0TR928009AD	TRANSISTOR	KSA928A-Y,TO-92L TP SAMSUNG TO	ALTERNATE
		Q161	LG0TR534309BA	TRANSISTOR	2SC5343-L TP AUK TO92	
		Q162	LG0TR534309BA	TRANSISTOR	2SC5343-L TP AUK TO92	
		Q163	LG0TR120109AC	TRANSISTOR	SRC1201 TP AUK TO92 4.7K,4.7K	
		Q164	LG0TR100309AA	TRANSISTOR	KSR1003 TP (S/S)	ALTERNATE
		Q164	LG0TR120309AE	TRANSISTOR	SRC1203 TP AUK TO92 22K,22K	
		Q165	LG0TR200309AA	TRANSISTOR	KSR2003TA TP FAIRCHILD TO92	ALTERNATE
		Q165	LG0TR220309AF	TRANSISTOR	SRA2203 TP AUK TO92 22K,22K	
		Q166	LG0TR127309AA	TRANSISTOR	KTA1273-TP-Y (KTA966A)KEC	
		Q166	LG0TR928009AD	TRANSISTOR	KSA928A-Y,TO-92L TP SAMSUNG TO	
		Q301	LG0TR319809AC	TRANSISTOR	KTC3198-TP-BL (KTC1815)KEC	ALTERNATE
		Q301	LG0TR534309BA	TRANSISTOR	2SC5343-L TP AUK TO92	
		Q302	LG0TR198009CA	TRANSISTOR	2SA1980G TP AUK TO92	
		Q303	LG0TR319809AC	TRANSISTOR	KTC3198-TP-BL (KTC1815)KEC	ALTERNATE
		Q303	LG0TR534309BA	TRANSISTOR	2SC5343-L TP AUK TO92	
		Q304	LG0TR319809AC	TRANSISTOR	KTC3198-TP-BL (KTC1815)KEC	ALTERNATE
		Q304	LG0TR534309BA	TRANSISTOR	2SC5343-L TP AUK TO92	
		Q305	LG0TR198009CA	TRANSISTOR	2SA1980G TP AUK TO92	
		Q306	LG0TR320309AA	TRANSISTOR,BIPOLARS	KTC3203 KEC TP TO92 50V 150MA	ALTERNATE
		Q306	LG0TR534409AA	TRANSISTOR	2SC5344Y TP	
		Q307	LG0TR198009CA	TRANSISTOR	2SA1980G TP AUK TO92	
		Q308	LG0TR198009CA	TRANSISTOR	2SA1980G TP AUK TO92	
		Q309	LG0TR198009CA	TRANSISTOR	2SA1980G TP AUK TO92	
		Q501	LG0TR319809AC	TRANSISTOR	KTC3198-TP-BL (KTC1815)KEC	ALTERNATE
		Q501	LG0TR534309BA	TRANSISTOR	2SC5343-L TP AUK TO92	
		Q502	LG0TR534309BA	TRANSISTOR	2SC5343-L TP AUK TO92	
		Q503	LG0TR127309AA	TRANSISTOR	KTA1273-TP-Y (KTA966A)KEC	
		Q504	LG0TR534309BA	TRANSISTOR	2SC5343-L TP AUK TO92	
		Q514	LG0TR100309AA	TRANSISTOR	KSR1003 TP (S/S)	ALTERNATE
		Q514	LG0TR120309AE	TRANSISTOR	SRC1203 TP AUK TO92 22K,22K	
		Q515	LG0TR100309AA	TRANSISTOR	KSR1003 TP (S/S)	ALTERNATE
		Q515	LG0TR120309AE	TRANSISTOR	SRC1203 TP AUK TO92 22K,22K	
		Q5S1	LG0TR534309BA	TRANSISTOR	2SC5343-L TP AUK TO92	
		Q901	LG0TR100309AA	TRANSISTOR	KSR1003 TP (S/S)	ALTERNATE
		Q901	LG0TR120309AE	TRANSISTOR	SRC1203 TP AUK TO92 22K,22K	
		Q902	LG0TR200309AA	TRANSISTOR	KSR2003TA TP FAIRCHILD TO92	ALTERNATE
		Q902	LG0TR220309AF	TRANSISTOR	SRA2203 TP AUK TO92 22K,22K	
		Q903	LG0TR100309AA	TRANSISTOR	KSR1003 TP (S/S)	ALTERNATE
		Q903	LG0TR120309AE	TRANSISTOR	SRC1203 TP AUK TO92 22K,22K	
		Q906	LG0TR534309BA	TRANSISTOR	2SC5343-L TP AUK TO92	

VHR-H803E

S	AL	LOCA. NO.	PART NO.	DESCRIPTION	SPECIFICATION	REMARKS
		R101	LG614-007A	RESISTOR	2.7/2W CEMENT SMPS V	
		R102	LG0RD1803F608	RESISTOR, FIXED CARBON FILM	180K OHM 1/6 W 0.05 TA26	
		R103	LG0RD0682F608	RESISTOR, FIXED CARBON FILM	68 OHM 1/6 W 5.00% TA26	
		R104	LG0RS5602K619	RESISTOR, FIXED METAL OXIDE FIL	56K OHM 2 W 5.00% TR	
		R105	LG0RF0101A619	RESISTOR, DRAWING	1 OHM 1/2 W(7.0) 5.00% TR	
		R106	LG0RD1803F608	RESISTOR, FIXED CARBON FILM	180K OHM 1/6 W 0.05 TA26	
		R109	LG0RS0350K619	RESISTOR, FIXED METAL OXIDE FIL	0.35 OHM 2 W 5.00% TR	
		R112	LG0RD1003F608	RESISTOR, FIXED CARBON FILM	100K OHM 1/6 W 5% TA26	
		R116	LG0RD2200F608	RESISTOR, FIXED CARBON FILM	220 OHM 1/6 W 5% TA26	
		R117	LG0RD2201F608	RESISTOR, FIXED CARBON FILM	2.2K OHM 1/6 W 5% TA26	
		R118	LG0RD1001F608	RESISTOR, FIXED CARBON FILM	1K OHM 1/6 W 5% TA26	
		R119	LG0RN3301F408	RESISTOR, FIXED METAL FILM	3.3K OHM 1/6 W 1% TA26	
		R120	LG0RN3001F408	RESISTOR, FIXED METAL FILM	3K OHM 1/6 W 1% TA26	
		R122	LG0RD1003F608	RESISTOR, FIXED CARBON FILM	100K OHM 1/6 W 5% TA26	
		R125	LG0RD4701F608	RESISTOR, FIXED CARBON FILM	4.7K OHM 1/6 W 5% TA26	
		R126	LG0RD6800F608	RESISTOR, FIXED CARBON FILM	680 OHM 1/6 W 5% TA26	
		R151	LG0RD1001F608	RESISTOR, FIXED CARBON FILM	1K OHM 1/6 W 5% TA26	
		R152	LG0RD3300F608	RESISTOR, FIXED CARBON FILM	330 OHM 1/6 W 5% TA26	
		R153	LG0RD1001F608	RESISTOR, FIXED CARBON FILM	1K OHM 1/6 W 5% TA26	
		R154	LG0RD3300F608	RESISTOR, FIXED CARBON FILM	330 OHM 1/6 W 5% TA26	
		R155	LG0RD3301F608	RESISTOR, FIXED CARBON FILM	3.3K OHM 1/6 W 5% TA26	
		R157	LG0RD1001F608	RESISTOR, FIXED CARBON FILM	1K OHM 1/6 W 5% TA26	
		R158	LG0RD1802F608	RESISTOR, FIXED CARBON FILM	18K OHM 1/6 W 5% TA26	
		R159	LG0RD4700F608	RESISTOR, FIXED CARBON FILM	470 OHM 1/6 W 5% TA26	
		R161	LG0RD4701F608	RESISTOR, FIXED CARBON FILM	4.7K OHM 1/6 W 5% TA26	
		R163	LG0RD4701F608	RESISTOR, FIXED CARBON FILM	4.7K OHM 1/6 W 5% TA26	
		R166	LG0RD2201F608	RESISTOR, FIXED CARBON FILM	2.2K OHM 1/6 W 5% TA26	
		R167	LG0RD3901F608	RESISTOR, FIXED CARBON FILM	3.9K OHM 1/6 W 5% TA26	
		R170	LG0RD5601F608	RESISTOR, FIXED CARBON FILM	5.6K OHM 1/6 W 5% TA26	
		R172	LG0RD2700F608	RESISTOR, FIXED CARBON FILM	270 OHM 1/6 W 5% TA26	
		R173	LG0RD2700F608	RESISTOR, FIXED CARBON FILM	270 OHM 1/6 W 5% TA26	
		R1B1	LG0RD1504H632	RESISTOR, FIXED CARBON FILM	1.5M OHM 1/2 W 5.00% MF10	
		R301	LG0RD5602F608	RESISTOR, FIXED CARBON FILM	56K OHM 1/6 W 5% TA26	
		R303	LG0RD1802F608	RESISTOR, FIXED CARBON FILM	18K OHM 1/6 W 5% TA26	
		R304	LG0RD1002F608	RESISTOR, FIXED CARBON FILM	10K OHM 1/6 W 5% TA26	
		R305	LG0RD1002F608	RESISTOR, FIXED CARBON FILM	10K OHM 1/6 W 5% TA26	
		R306	LG0RD2202F608	RESISTOR, FIXED CARBON FILM	22K OHM 1/6 W 5% TA26	
		R307	LG0RD2201F608	RESISTOR, FIXED CARBON FILM	2.2K OHM 1/6 W 5% TA26	
		R308	LG0RD4701F608	RESISTOR, FIXED CARBON FILM	4.7K OHM 1/6 W 5% TA26	
		R309	LG0RD1001F608	RESISTOR, FIXED CARBON FILM	1K OHM 1/6 W 5% TA26	
		R310	LG0RD4701F608	RESISTOR, FIXED CARBON FILM	4.7K OHM 1/6 W 5% TA26	
		R311	LG0RD1001F608	RESISTOR, FIXED CARBON FILM	1K OHM 1/6 W 5% TA26	
		R312	LG0RD6802F608	RESISTOR, FIXED CARBON FILM	68K OHM 1/6 W 5% TA26	
		R313	LG0RD0221F608	RESISTOR, FIXED CARBON FILM	2.2 OHM 1/6 W 5% TA26	
		R314	LG0RD1001F608	RESISTOR, FIXED CARBON FILM	1K OHM 1/6 W 5% TA26	
		R315	LG0RD0472F608	RESISTOR, FIXED CARBON FILM	47 OHM 1/6 W 5% TA26	
		R316	LG0RD1000F608	RESISTOR, FIXED CARBON FILM	100 OHM 1/6 W 5% TA26	
		R317	LG0RD5601F608	RESISTOR, FIXED CARBON FILM	5.6K OHM 1/6 W 5% TA26	
		R318	LG0RD3901F608	RESISTOR, FIXED CARBON FILM	3.9K OHM 1/6 W 5% TA26	
		R319	LG0RD5600F608	RESISTOR, FIXED CARBON FILM	560 OHM 1/6 W 5% TA26	
		R320	LG0RD1500F608	RESISTOR, FIXED CARBON FILM	150 OHM 1/6 W 5% TA26	
		R321	LG0RD1201F608	RESISTOR, FIXED CARBON FILM	1.2K OHM 1/6 W 5% TA26	
		R322	LG0RD1001F608	RESISTOR, FIXED CARBON FILM	1K OHM 1/6 W 5% TA26	
		R324	LG0RD3303F608	RESISTOR, FIXED CARBON FILM	330K OHM 1/6 W 5% TA26	
		R325	LG0RD4700F608	RESISTOR, FIXED CARBON FILM	470 OHM 1/6 W 5% TA26	
		R326	LG0RD1202F608	RESISTOR, FIXED CARBON FILM	12K OHM 1/6 W 5% TA26	
		R327	LG0RD5601F608	RESISTOR, FIXED CARBON FILM	5.6K OHM 1/6 W 5% TA26	
		R328	LG0RD2700F608	RESISTOR, FIXED CARBON FILM	270 OHM 1/6 W 5% TA26	
		R329	LG0RD1202F608	RESISTOR, FIXED CARBON FILM	12K OHM 1/6 W 5% TA26	

VHR-H803E

S	AL	LOCA. NO.	PART NO.	DESCRIPTION	SPECIFICATION	REMARKS
		R330	LG0RD1002F608	RESISTOR, FIXED CARBON FILM	10K OHM 1/6 W 5% TA26	
		R331	LG0RD4701F608	RESISTOR, FIXED CARBON FILM	4.7K OHM 1/6 W 5% TA26	
		R334	LG0RD2701F608	RESISTOR, FIXED CARBON FILM	2.7K OHM 1/6 W 5% TA26	
		R335	LG0RD6801F608	RESISTOR, FIXED CARBON FILM	6.8K OHM 1/6 W 5% TA26	
		R336	LG0RD1003F608	RESISTOR, FIXED CARBON FILM	100K OHM 1/6 W 5% TA26	
		R337	LG0RD2201F608	RESISTOR, FIXED CARBON FILM	2.2K OHM 1/6 W 5% TA26	
		R338	LG0RD2700F608	RESISTOR, FIXED CARBON FILM	270 OHM 1/6 W 5% TA26	
		R339	LG0RD5600F608	RESISTOR, FIXED CARBON FILM	560 OHM 1/6 W 5% TA26	
		R340	LG0RD1802F608	RESISTOR, FIXED CARBON FILM	18K OHM 1/6 W 5% TA26	
		R342	LG0RD5600F608	RESISTOR, FIXED CARBON FILM	560 OHM 1/6 W 5% TA26	
		R343	LG0RD0752F608	RESISTOR, FIXED CARBON FILM	75 OHM 1/6 W 5.00% TA26	
		R344	LG0RD4700F608	RESISTOR, FIXED CARBON FILM	470 OHM 1/6 W 5% TA26	
		R345	LG0RD4700F608	RESISTOR, FIXED CARBON FILM	470 OHM 1/6 W 5% TA26	
		R346	LG0RD1000F608	RESISTOR, FIXED CARBON FILM	100 OHM 1/6 W 5% TA26	
		R347	LG0RD1000F608	RESISTOR, FIXED CARBON FILM	100 OHM 1/6 W 5% TA26	
		R349	LG0RD1801F608	RESISTOR, FIXED CARBON FILM	1.8K OHM 1/6 W 5% TA26	
		R350	LG0RD1002F608	RESISTOR, FIXED CARBON FILM	10K OHM 1/6 W 5% TA26	
		R351	LG0RD8203F608	RESISTOR, FIXED CARBON FILM	820K OHM 1/6 W 0.05 TA26	
		R3A1	LG0RD1002F608	RESISTOR, FIXED CARBON FILM	10K OHM 1/6 W 5% TA26	
		R501	LG0RD1000F608	RESISTOR, FIXED CARBON FILM	100 OHM 1/6 W 5% TA26	
		R502	LG0RD1000F608	RESISTOR, FIXED CARBON FILM	100 OHM 1/6 W 5% TA26	
		R503	LG0RD4701F608	RESISTOR, FIXED CARBON FILM	4.7K OHM 1/6 W 5% TA26	
		R504	LG0RD1001F608	RESISTOR, FIXED CARBON FILM	1K OHM 1/6 W 5% TA26	
		R505	LG0RD1001F608	RESISTOR, FIXED CARBON FILM	1K OHM 1/6 W 5% TA26	
		R506	LG0RD1002F608	RESISTOR, FIXED CARBON FILM	10K OHM 1/6 W 5% TA26	
		R507	LG0RD1002F608	RESISTOR, FIXED CARBON FILM	10K OHM 1/6 W 5% TA26	
		R508	LG0RD2201F608	RESISTOR, FIXED CARBON FILM	2.2K OHM 1/6 W 5% TA26	
		R509	LG0RD2201F608	RESISTOR, FIXED CARBON FILM	2.2K OHM 1/6 W 5% TA26	
		R510	LG0RD2201F608	RESISTOR, FIXED CARBON FILM	2.2K OHM 1/6 W 5% TA26	
		R511	LG0RD1001F608	RESISTOR, FIXED CARBON FILM	1K OHM 1/6 W 5% TA26	
		R512	LG0RD1001F608	RESISTOR, FIXED CARBON FILM	1K OHM 1/6 W 5% TA26	
		R513	LG0RD1001F608	RESISTOR, FIXED CARBON FILM	1K OHM 1/6 W 5% TA26	
		R514	LG0RD1203F608	RESISTOR, FIXED CARBON FILM	120K OHM 1/6 W 5% TA26	
		R515	LG0RD2700F608	RESISTOR, FIXED CARBON FILM	270 OHM 1/6 W 5% TA26	
		R516	LG0RD4703F608	RESISTOR, FIXED CARBON FILM	470K OHM 1/6 W 5% TA26	
		R517	LG0RD4700F608	RESISTOR, FIXED CARBON FILM	470 OHM 1/6 W 5% TA26	
		R518	LG0RD1001F608	RESISTOR, FIXED CARBON FILM	1K OHM 1/6 W 5% TA26	
		R520	LG0RD3901F608	RESISTOR, FIXED CARBON FILM	3.9K OHM 1/6 W 5% TA26	
		R521	LG0RD4701F608	RESISTOR, FIXED CARBON FILM	4.7K OHM 1/6 W 5% TA26	
		R522	LG0RD1001F608	RESISTOR, FIXED CARBON FILM	1K OHM 1/6 W 5% TA26	
		R523	LG0RD1002F608	RESISTOR, FIXED CARBON FILM	10K OHM 1/6 W 5% TA26	
		R524	LG0RD0222F608	RESISTOR, FIXED CARBON FILM	22 OHM 1/6 W 5% TA26	
		R525	LG0RD5601F608	RESISTOR, FIXED CARBON FILM	5.6K OHM 1/6 W 5% TA26	
		R526	LG0RD5601F608	RESISTOR, FIXED CARBON FILM	5.6K OHM 1/6 W 5% TA26	
		R527	LG0RD1002F608	RESISTOR, FIXED CARBON FILM	10K OHM 1/6 W 5% TA26	
		R528	LG0RD4701F608	RESISTOR, FIXED CARBON FILM	4.7K OHM 1/6 W 5% TA26	
		R529	LG0RD1002F608	RESISTOR, FIXED CARBON FILM	10K OHM 1/6 W 5% TA26	
		R530	LG0RD4701F608	RESISTOR, FIXED CARBON FILM	4.7K OHM 1/6 W 5% TA26	
		R531	LG0RD1002F608	RESISTOR, FIXED CARBON FILM	10K OHM 1/6 W 5% TA26	
		R535	LG0RD4703F608	RESISTOR, FIXED CARBON FILM	470K OHM 1/6 W 5% TA26	
		R542	LG0RD2201F608	RESISTOR, FIXED CARBON FILM	2.2K OHM 1/6 W 5% TA26	
		R543	LG0RD1000F608	RESISTOR, FIXED CARBON FILM	100 OHM 1/6 W 5% TA26	
		R544	LG0RD4701F608	RESISTOR, FIXED CARBON FILM	4.7K OHM 1/6 W 5% TA26	
		R546	LG0RD5601F608	RESISTOR, FIXED CARBON FILM	5.6K OHM 1/6 W 5% TA26	
		R547	LG0RD1202F608	RESISTOR, FIXED CARBON FILM	12K OHM 1/6 W 5% TA26	
		R548	LG0RD1003F608	RESISTOR, FIXED CARBON FILM	100K OHM 1/6 W 5% TA26	
		R550	LG0RD2200F608	RESISTOR, FIXED CARBON FILM	220 OHM 1/6 W 5% TA26	
		R553	LG0RD2200F608	RESISTOR, FIXED CARBON FILM	220 OHM 1/6 W 5% TA26	
		R555	LG0RD2200F608	RESISTOR, FIXED CARBON FILM	220 OHM 1/6 W 5% TA26	

VHR-H803E

S	AL	LOCA. NO.	PART NO.	DESCRIPTION	SPECIFICATION	REMARKS
		R556	LG0RD2202F608	RESISTOR, FIXED CARBON FILM	22K OHM 1/6 W 5% TA26	
		R557	LG0RD2702F608	RESISTOR, FIXED CARBON FILM	27K OHM 1/6 W 5% TA26	
		R558	LG0RD2202F608	RESISTOR, FIXED CARBON FILM	22K OHM 1/6 W 5% TA26	
		R559	LG0RD4701F608	RESISTOR, FIXED CARBON FILM	4.7K OHM 1/6 W 5% TA26	
		R560	LG0RD4701F608	RESISTOR, FIXED CARBON FILM	4.7K OHM 1/6 W 5% TA26	
		R561	LG0RD5600F608	RESISTOR, FIXED CARBON FILM	560 OHM 1/6 W 5% TA26	
		R562	LG0RD5600F608	RESISTOR, FIXED CARBON FILM	560 OHM 1/6 W 5% TA26	
		R563	LG0RD5601F608	RESISTOR, FIXED CARBON FILM	5.6K OHM 1/6 W 5% TA26	
		R564	LG0RD2702F608	RESISTOR, FIXED CARBON FILM	27K OHM 1/6 W 5% TA26	
		R566	LG0RD4701F608	RESISTOR, FIXED CARBON FILM	4.7K OHM 1/6 W 5% TA26	
		R567	LG0RD1002F608	RESISTOR, FIXED CARBON FILM	10K OHM 1/6 W 5% TA26	
		R568	LG0RD6802F608	RESISTOR, FIXED CARBON FILM	68K OHM 1/6 W 5% TA26	
		R569	LG0RD1004F608	RESISTOR, FIXED CARBON FILM	1M OHM 1/6 W 5% TA26	
		R570	LG0RD4701F608	RESISTOR, FIXED CARBON FILM	4.7K OHM 1/6 W 5% TA26	
		R575	LG0RD4701F608	RESISTOR, FIXED CARBON FILM	4.7K OHM 1/6 W 5% TA26	
		R576	LG0RD4701F608	RESISTOR, FIXED CARBON FILM	4.7K OHM 1/6 W 5% TA26	
		R577	LG0RD4701F608	RESISTOR, FIXED CARBON FILM	4.7K OHM 1/6 W 5% TA26	
		R578	LG0RD4701F608	RESISTOR, FIXED CARBON FILM	4.7K OHM 1/6 W 5% TA26	
		R579	LG0RD5602F608	RESISTOR, FIXED CARBON FILM	56K OHM 1/6 W 5% TA26	
		R582	LG0RD1000F608	RESISTOR, FIXED CARBON FILM	100 OHM 1/6 W 5% TA26	
		R583	LG0RD1002F608	RESISTOR, FIXED CARBON FILM	10K OHM 1/6 W 5% TA26	
		R589	LG0RD1004F608	RESISTOR, FIXED CARBON FILM	1M OHM 1/6 W 5% TA26	
		R591	LG0RD1003F608	RESISTOR, FIXED CARBON FILM	100K OHM 1/6 W 5% TA26	
		R5A2	LG0RD1002F608	RESISTOR, FIXED CARBON FILM	10K OHM 1/6 W 5% TA26	
		R5A3	LG0RD1002F608	RESISTOR, FIXED CARBON FILM	10K OHM 1/6 W 5% TA26	
		R5A5	LG0RD4703F608	RESISTOR, FIXED CARBON FILM	470K OHM 1/6 W 5% TA26	
		R5B3	LG0RD1001F608	RESISTOR, FIXED CARBON FILM	1K OHM 1/6 W 5% TA26	
		R5B4	LG0RD1001F608	RESISTOR, FIXED CARBON FILM	1K OHM 1/6 W 5% TA26	
		R5B5	LG0RD1000F608	RESISTOR, FIXED CARBON FILM	100 OHM 1/6 W 5% TA26	
		R5C1	LG0RD1001F608	RESISTOR, FIXED CARBON FILM	1K OHM 1/6 W 5% TA26	
		R5C5	LG0RD1001F608	RESISTOR, FIXED CARBON FILM	1K OHM 1/6 W 5% TA26	
		R5C6	LG0RD1001F608	RESISTOR, FIXED CARBON FILM	1K OHM 1/6 W 5% TA26	
		R5C7	LG0RD1001F608	RESISTOR, FIXED CARBON FILM	1K OHM 1/6 W 5% TA26	
		R5C9	LG0RD1002F608	RESISTOR, FIXED CARBON FILM	10K OHM 1/6 W 5% TA26	
		R5G1	LG0RD4702F608	RESISTOR, FIXED CARBON FILM	47K OHM 1/6 W 5% TA26	
		R5G2	LG0RD1000F608	RESISTOR, FIXED CARBON FILM	100 OHM 1/6 W 5% TA26	
		R5G3	LG0RD1000F608	RESISTOR, FIXED CARBON FILM	100 OHM 1/6 W 5% TA26	
		R5G4	LG0RD1000F608	RESISTOR, FIXED CARBON FILM	100 OHM 1/6 W 5% TA26	
		R5P2	LG0RD1002F608	RESISTOR, FIXED CARBON FILM	10K OHM 1/6 W 5% TA26	
		R5P3	LG0RD1002F608	RESISTOR, FIXED CARBON FILM	10K OHM 1/6 W 5% TA26	
		R5R7	LG0RD3300F608	RESISTOR, FIXED CARBON FILM	330 OHM 1/6 W 5% TA26	
		R5R8	LG0RD1001F608	RESISTOR, FIXED CARBON FILM	1K OHM 1/6 W 5% TA26	
		R5S1	LG0RD5601F608	RESISTOR, FIXED CARBON FILM	5.6K OHM 1/6 W 5% TA26	
		R5T1	LG0RD1801F608	RESISTOR, FIXED CARBON FILM	1.8K OHM 1/6 W 5% TA26	
		R5T10	LG0RD1501F608	RESISTOR, FIXED CARBON FILM	1.5K OHM 1/6 W 5% TA26	
		R5T11	LG0RD1001F608	RESISTOR, FIXED CARBON FILM	1K OHM 1/6 W 5% TA26	
		R5T2	LG0RD1501F608	RESISTOR, FIXED CARBON FILM	1.5K OHM 1/6 W 5% TA26	
		R5T3	LG0RD2201F608	RESISTOR, FIXED CARBON FILM	2.2K OHM 1/6 W 5% TA26	
		R5T4	LG0RD2701F608	RESISTOR, FIXED CARBON FILM	2.7K OHM 1/6 W 5% TA26	
		R5T5	LG0RD3901F608	RESISTOR, FIXED CARBON FILM	3.9K OHM 1/6 W 5% TA26	
		R5T9	LG0RD1801F608	RESISTOR, FIXED CARBON FILM	1.8K OHM 1/6 W 5% TA26	
		R706	LG0RD2200F608	RESISTOR, FIXED CARBON FILM	220 OHM 1/6 W 5% TA26	
		R707	LG0RD2200F608	RESISTOR, FIXED CARBON FILM	220 OHM 1/6 W 5% TA26	
		R709	LG0RD1001F608	RESISTOR, FIXED CARBON FILM	1K OHM 1/6 W 5% TA26	
		R753	LG0RD1001F608	RESISTOR, FIXED CARBON FILM	1K OHM 1/6 W 5% TA26	
		R754	LG0RD3301F608	RESISTOR, FIXED CARBON FILM	3.3K OHM 1/6 W 5% TA26	
		R755	LG0RD3301F608	RESISTOR, FIXED CARBON FILM	3.3K OHM 1/6 W 5% TA26	
		R758	LG0RD4701F608	RESISTOR, FIXED CARBON FILM	4.7K OHM 1/6 W 5% TA26	
		R759	LG0RD5601F608	RESISTOR, FIXED CARBON FILM	5.6K OHM 1/6 W 5% TA26	

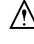
VHR-H803E

S	AL	LOCA. NO.	PART NO.	DESCRIPTION	SPECIFICATION	REMARKS
		R7M1	LG0RD1001F608	RESISTOR, FIXED CARBON FILM	1K OHM 1/6 W 5% TA26	
		R7M2	LG0RD2200F608	RESISTOR, FIXED CARBON FILM	220 OHM 1/6 W 5% TA26	
		R7M3	LG0RD1001F608	RESISTOR, FIXED CARBON FILM	1K OHM 1/6 W 5% TA26	
		R7M5	LG0RD2200F608	RESISTOR, FIXED CARBON FILM	220 OHM 1/6 W 5% TA26	
		R7V1	LG0RD1004F608	RESISTOR, FIXED CARBON FILM	1M OHM 1/6 W 5% TA26	
		R7V2	LG0RD1003F608	RESISTOR, FIXED CARBON FILM	100K OHM 1/6 W 5% TA26	
		R7V3	LG0RD6801F608	RESISTOR, FIXED CARBON FILM	6.8K OHM 1/6 W 5% TA26	
		R7V4	LG0RD5603F608	RESISTOR, FIXED CARBON FILM	560K OHM 1/6 W 5.00% TA26	
		R7V5	LG0RD6801F608	RESISTOR, FIXED CARBON FILM	6.8K OHM 1/6 W 5% TA26	
		R7V6	LG0RD5603F608	RESISTOR, FIXED CARBON FILM	560K OHM 1/6 W 5.00% TA26	
		R7V7	LG0RD4701F608	RESISTOR, FIXED CARBON FILM	4.7K OHM 1/6 W 5% TA26	
		R7V8	LG0RD1000F608	RESISTOR, FIXED CARBON FILM	100 OHM 1/6 W 5% TA26	
		R7V9	LG0RD1000F608	RESISTOR, FIXED CARBON FILM	100 OHM 1/6 W 5% TA26	
		R801	LG0RD4701F608	RESISTOR, FIXED CARBON FILM	4.7K OHM 1/6 W 5% TA26	
		R802	LG0RD4701F608	RESISTOR, FIXED CARBON FILM	4.7K OHM 1/6 W 5% TA26	
		R817	LG0RD3304F608	RESISTOR, FIXED CARBON FILM	3.3M OHM 1/6 W 5.00% TA26	
		R818	LG0RD3302F608	RESISTOR, FIXED CARBON FILM	33K OHM 1/6 W 5% TA26	
		R819	LG0RD2701F608	RESISTOR, FIXED CARBON FILM	2.7K OHM 1/6 W 5% TA26	
		R820	LG0RD3902F608	RESISTOR, FIXED CARBON FILM	39K OHM 1/6 W 5% TA26	
		R821	LG0RD2701F608	RESISTOR, FIXED CARBON FILM	2.7K OHM 1/6 W 5% TA26	
		R822	LG0RD3302F608	RESISTOR, FIXED CARBON FILM	33K OHM 1/6 W 5% TA26	
		R823	LG0RD4700F608	RESISTOR, FIXED CARBON FILM	470 OHM 1/6 W 5% TA26	
		R824	LG0RD1000F608	RESISTOR, FIXED CARBON FILM	100 OHM 1/6 W 5% TA26	
		R825	LG0RD5600F608	RESISTOR, FIXED CARBON FILM	560 OHM 1/6 W 5% TA26	
		R826	LG0RD1801F608	RESISTOR, FIXED CARBON FILM	1.8K OHM 1/6 W 5% TA26	
		R827	LG0RD1001F608	RESISTOR, FIXED CARBON FILM	1K OHM 1/6 W 5% TA26	
		R828	LG0RD1001F608	RESISTOR, FIXED CARBON FILM	1K OHM 1/6 W 5% TA26	
		R830	LG0RD4701F608	RESISTOR, FIXED CARBON FILM	4.7K OHM 1/6 W 5% TA26	
		R831	LG0RD4701F608	RESISTOR, FIXED CARBON FILM	4.7K OHM 1/6 W 5% TA26	
		R8R1	LG0RD5600F608	RESISTOR, FIXED CARBON FILM	560 OHM 1/6 W 5% TA26	
		R8R2	LG0RD5600F608	RESISTOR, FIXED CARBON FILM	560 OHM 1/6 W 5% TA26	
		R901	LG0RD0752F608	RESISTOR, FIXED CARBON FILM	75 OHM 1/6 W 5.00% TA26	
		R902	LG0RD0752F608	RESISTOR, FIXED CARBON FILM	75 OHM 1/6 W 5.00% TA26	
		R903	LG0RD4701F608	RESISTOR, FIXED CARBON FILM	4.7K OHM 1/6 W 5% TA26	
		R904	LG0RD4702F608	RESISTOR, FIXED CARBON FILM	47K OHM 1/6 W 5% TA26	
		R905	LG0RD5600F608	RESISTOR, FIXED CARBON FILM	560 OHM 1/6 W 5% TA26	
		R906	LG0RD5600F608	RESISTOR, FIXED CARBON FILM	560 OHM 1/6 W 5% TA26	
		R911	LG0RD0752F608	RESISTOR, FIXED CARBON FILM	75 OHM 1/6 W 5.00% TA26	
		R912	LG0RD0752F608	RESISTOR, FIXED CARBON FILM	75 OHM 1/6 W 5.00% TA26	
		R913	LG0RD5600F608	RESISTOR, FIXED CARBON FILM	560 OHM 1/6 W 5% TA26	
		R914	LG0RD5600F608	RESISTOR, FIXED CARBON FILM	560 OHM 1/6 W 5% TA26	
		R943	LG0RD1501F608	RESISTOR, FIXED CARBON FILM	1.5K OHM 1/6 W 5% TA26	
		R964	LG0RD8200F608	RESISTOR, FIXED CARBON FILM	820 OHM 1/6 W 5% TA26	
		R965	LG0RD1001F608	RESISTOR, FIXED CARBON FILM	1K OHM 1/6 W 5% TA26	
		R9F1	LG0RD4701F608	RESISTOR, FIXED CARBON FILM	4.7K OHM 1/6 W 5% TA26	
		R9F2	LG0RD4701F608	RESISTOR, FIXED CARBON FILM	4.7K OHM 1/6 W 5% TA26	
		R9F3	LG0RD0752F608	RESISTOR, FIXED CARBON FILM	75 OHM 1/6 W 5.00% TA26	
		RC501	LG6712R1938GB	REMOTE CONTROLLER RECEIVER	TSOP2238WE1 VISHAY 37.9KHZ 19M	
		ES501	LG4931R-0050C	HOLDER ASSEMBLY	END (DI)	
		ES502	LG4931R-0050C	HOLDER ASSEMBLY	END (DI)	
⚠		IC102	LG657-062B	SENSOR	PC123Y PHOTO-COUPLER(SARPH)	ALTERNATE
⚠		IC102	LG6500RDB010A	SENSOR	PC123YN2 SHARP PHOTOCOUPLER	ALTERNATE
⚠		IC102	LG657-063A	SENSOR	LTV-817B, PHOTO COUPLER(LITEON)	
		RS501	LG6500RAB003A	SENSOR	SG-260 KODENSHI D33 REEL SENSO	
		RS501	LG6500RAB007A	SENSOR	GP1S566V SHARP REEL SENSOR OF	ALTERNATE
		RS502	LG6500RAB003A	SENSOR	SG-260 KODENSHI D33 REEL SENSO	
		RS502	LG6500RAB007A	SENSOR	GP1S566V SHARP REEL SENSOR OF	ALTERNATE
		CS501	LG6600M000002	SWITCH, PUSH	MPU11810MLB0 MIC DC 5V 1MA D-3	
		MS501	LG6600JB8005B	SWITCH, MODE	NON 5V 1MA VERTICAL -G	

VHR-H803E

S	AL	LOCA. NO.	PART NO.	DESCRIPTION	SPECIFICATION	REMARKS
		MS501	LG6600JB8005C	SWITCH,MODE	MMS00721ZMB0 MIC 5VDC 1MA D-35	ALTERNATE
		SW5T1	LG556-213C	SWITCH,DETECTOR	THVV951BAA POSTECH DC 12 V 5-0	
		SW5T10	LG556-213C	SWITCH,DETECTOR	THVV951BAA POSTECH DC 12 V 5-0	
		SW5T11	LG556-213C	SWITCH,DETECTOR	THVV951BAA POSTECH DC 12 V 5-0	
		SW5T4	LG556-213C	SWITCH,DETECTOR	THVV951BAA POSTECH DC 12 V 5-0	
		SW5T5	LG556-213C	SWITCH,DETECTOR	THVV951BAA POSTECH DC 12 V 5-0	
		SW5T6	LG556-213C	SWITCH,DETECTOR	THVV951BAA POSTECH DC 12 V 5-0	
		SW5T7	LG556-213C	SWITCH,DETECTOR	THVV951BAA POSTECH DC 12 V 5-0	
	⚠	T101	LG642-015G	TRANSFORMER,SMPS[COIL]	SJE-015G/SHT-015G SJ/SH/CS/LSE	
		TU701	LG6700PFPL06C	TUNER	TADC-U401D(UK,LGIT) LG INOTEK	
		X301	LG6202R2443AE	RESONATOR,CRYSTAL	HC49U SSANG TAE 4433709HZ 1	ALTERNATE
		X301	LG6202R2443AC	RESONATOR,CRYSTAL	HC49U BUBANG 4-433709MHZ 15	
		X301	LG6202R2443AG	RESONATOR,CRYSTAL	HC49U SSANGTAE 4-433709MHZ	ALTERNATE
		X501	LG6202R31001F	RESONATOR,CRYSTAL	HC-49S KEUMSEOK 10-0000MHZ 30P	ALTERNATE
		X501	LG6212AA2100C	RESONATOR,CRYSTAL	HC-49S BUBANG 10MHZ +/- 30 PPM	
		X502	LG529-001K	RESONATOR,CRYSTAL	- SEIKO 32-768KHZ - -	ALTERNATE
		X502	LG6202R-DA01A	RESONATOR,CRYSTAL	CFS-308 CITIZEN 32-768KHZ	
		X751	LG529-021Q	RESONATOR,CRYSTAL	49U BUBANG 18432000HZ 30PPM 16	
		X751	LG6212AA2184F	RESONATOR,CRYSTAL	HC-49U KYUNGIL 18.432MHZ +/- 3	ALTERNATE
		ZD151	LG0DZ130009AB	DIODE,ZENERS	MTZ13C TP ROHM-K	
		ZD503	LG0DZ620009AB	DIODE,ZENERS	MTZ6.2C TP ROHM - - - - -	ALTERNATE
		ZD503	LG0DZ620009AM	DIODE,ZENERS	UZ-6.2BSC 26MM PYUNG CHANG TP	
		ZD801	LG0DZ562609BB	DIODE,ZENER	UZ-5.6BSB 26MM TP PYUNG CHANG	
		ZD802	LG0DZ562609BB	DIODE,ZENER	UZ-5.6BSB 26MM TP PYUNG CHANG	
		ZD803	LG0DZ130009AA	DIODE,ZENER	MTZ13A TP ROHM-K	
		ZD804	LG0DZ130009AA	DIODE,ZENER	MTZ13A TP ROHM-K	
<b>*** PWB(PCB) ASSEMBLY , TOTAL LEFT KEY ***</b>						
		A42	LG6871R-5882H	PWB(PCB) ASSEMBLY,TOTAL	FC PAL SANYO TOOL (LEFT KEY)	
		SW9Y6	LG556-219B	SWITCH,TACT	THVV502GAA POSTECH DC 12 V 5-	
		SW9Y6	LG556-282C	SWITCH,TACT	SKQNQED ALPS DC 12 V 50 MA TA	ALTERNATE
		SW9Y7	LG556-219B	SWITCH,TACT	THVV502GAA POSTECH DC 12 V 5-	
		SW9Y7	LG556-282C	SWITCH,TACT	SKQNQED ALPS DC 12 V 50 MA TA	ALTERNATE




NOTES)  Warning  
Parts that are shaded are critical  
With respect to risk of fire or  
electrical shock.

# SECTION 5 REPLACEMENT PARTS LIST

SANYO MODEL : VHR-M263EV

NSP : Not available as service parts.

RUN DATE :13-FEB-03

S	AL	LOCA. NO.	PART NO.	DESCRIPTION	SPECIFICATION	REMARKS
<b>*** INDIVIDUAL PARTS ***</b>						
		250	LG3110R-0223G	CASE	VCR - TOP(0128 A288G SIDE SCRE	
		260	LG3210R-0023B	FRAME	MAIN (VII-PJT, 60HR)	NSP
		300	LG6410RCHP02B	POWER CORD	HIT-102/H0VHH2-F(WITH CORE) HI	
		330	LG3550R-0210A	COVER	BOTTOM(LARGE)	
		452	LG353-051A	SCREW	SPECIAL	
		457	LG353-051E	SCREW	SPECIAL (3X12)	
		462	LG353-136D	SCREW,DRAWING	+2 D4.0 L12.5 MSWR3/FN	
<b>*** PACKING ACCESSORY ***</b>						
		801	LG3835RP0090L	INSTRUCTION ASSEMBLY	VCR FCY200P.NA3GSS	
		802	LG3890R-H536W	BOX(CARTON)	FCY200P NA3GSS SW3-A 0.858 3 F	
		803	LG3920R-0067A	PACKING	AF999NS 0.02 65 EPS 12 1190 23	
		804	LG292-053A	BAG	SOFT(VCP)	NSP
		808	LG534-002C	BATTERY,MANGANES	AAM UM-3 SEOTONG 1-5 V - LOL 1	NSP
		810	LG6851RP0003A	CABLE ASSY,RF	CABLE ASSY,RF/SCART/RCA USING	
<b>*** REMOTE CONTROLLER ***</b>						
		900	LG6711R1P043F	REMOTE CONTROLLER ASSEMBLY	N7 FCY201P NA6SSS SANYO W/O SH	
		910	LG3550R-0454A	COVER	BATTERY(N7 HIPS 60HR 89991)	
<b>*** PANEL ASSEMBLY , FRONT ***</b>						
		A43	LG3721R-F311C	PANEL ASSEMBLY,FRONT	VCR FCY200P NA3GSS FRONT(VHR-M	
		280	LG3720R-F701C	PANEL,VIDEO	VCR FCY201 MOLD FRONT(B589G)	NSP
		283	LG3580R-V020Y	DOOR,CASE	VCR FCY200P NA3GSS MOLD CST(M2	
		284	LG442-681A	SPRING	DOOR	
<b>*** DECK ASSEMBLY , VIDEO ***</b>						
		A00	LG6721RF0710B	DECK ASSEMBLY,VIDEO	D35(N) DI (2HD, NP, AHC(O), B/	NSP
		A01	LG6723R-0401B	DRUM(CIRC) ASSEMBLY	D35-2CH SP/EP (8M2)	
		A03	LG4261R-0025A	ARM ASSY	CLEANER	
		A04	LG4811RF0038A	BRACKET ASSEMBLY	L/D(S)	
		A04	LG4811RF0038B	BRACKET ASSEMBLY	L/D(M) - DI	ALTERNATE
		A11	LG4471R-0005A	GEAR ASSY	P3	
		A12	LG4471R-0004A	GEAR ASSY	P2	
		A21	LG4931R-0047A	HOLDER ASSY	CST	
		A22	LG4471R-0006A	GEAR ASSY	RACK F/L	
		A23	LG4261R-0023A	ARM ASSY	F/L	
		A24	LG4510R-0046A	LEVER	ASSY SWITCH	
		001	LG6723R-0304B	DRUM(CIRC) ASSEMBLY	SUB D35-2CH (8M2)	NSP
		002	LG4680R-B005A	MOTOR(MECH)	DRUM I2OAL05 SEJIN-SANKYO ICLE	
		002	LG4680R-B003B	MOTOR(MECH)	DRUM VH4301 KUMAGAYA DRUM MOTO	ALTERNATE
		002	LG4680R-B007A	MOTOR(MECH)	DRUM MDVC-035AA LGIT FOR D-35,	ALTERNATE
		002A	LG5202R00002C	BRUSH,CARBON	ASSY D33 (TIP+2 SPRING) 1.4,	
		003	LG4930R-0286A	HOLDER	FPCB(2CH)	
		004	LG5006R-0034A	CAP	FPC	
		006	LG4580R-0004A	ROLLER	CLEANER	NSP
		007	LG4260R-0039A	ARM	CLEANER	NSP
		008	LG6850R-HG18Z	CABLE,FLAT	P=1.25 FFC UL2896(0.05X0.8) 7	
		009	LG4260R-0038A	ARM	T/UP(D35)	
		010	LG4810R-0125A	BRACKET	CHASSIS	
		011	LG4261R-0022A	ARM ASSY	TENSION(D35)	

VHR-M263EV

S	AL	LOCA. NO.	PART NO.	DESCRIPTION	SPECIFICATION	REMARKS
		012	LG3041R-0037A	BASE ASSY	P2	
		013	LG3041R-0038A	BASE ASSY	P3	
		014	LG3041R-0039A	BASE ASSY	P4	
		015	LG5870R-0005A	OPENER	LID(D35)	
		016	LG3041R-0036A	BASE ASSEMBLY	A/C HEAD (ALPS)	
		017	LG4408R-0003A	REEL	S	
		018	LG4970R-0140A	SPRING	COIL RS D35	
		019	LG4421R-0008A	BRAKE ASSEMBLY	RS	
		020	LG4970R-0128A	SPRING	COIL D35 (TB)	
		021	LG4421R-0006A	BRAKE ASSY	T	
		022	LG6520D00001A	HEAD(CIRC)	D35 FE TDK FE HEAD	ALTERNATE
		022	LG6520D00002A	HEAD(CIRC)	D35 FE ST FE HEAD	
		023	LG3040R-0057A	BASE	LOADING	
		024	LG4261R-0029A	ARM ASSEMBLY	IDLER (N)	
		025	LG4810R-0118A	BRACKET	L/D(S)	NSP
		026	LG4680R-D002A	MOTOR(MECH)	LOADING MDB2B66 SANKYO D35 ASP	NSP
		027	LG4470R-0093A	GEAR	WHEEL	NSP
		028	LG4408R-0004A	REEL	T	
		029	LG4261R-0019A	ARM ASSEMBLY	DECK/MECHA PINCH	
		029	LG4261R-0019B	ARM ASSEMBLY	PINCH	ALTERNATE
		030	LG4510R-0043A	LEVER	T/UP	
		031	LG4970R-0123A	SPRING	COIL TENSION(D35)	
		032	LG3141R-0040A	CHASSIS ASSY	D35	NSP
		051	LG4400R-0005A	BELT	CAPSTAN	
		052	LG4680R-A006A	MOTOR(MECH)	CAPSTAN MCV-035AA LGIT BLDC 3	
		052	LG4680R-A007A	MOTOR(MECH)	CAPSTAN F2QVB06 SANKYO D35 ASR	
		052	LG4680R-A008A	MOTOR(MECH)	CAPSTAN SAMSUNG DMVCMC09L D35	
		052A	LG4980R-0023A	SUPPORTER	CAPSTAN(D35)	
		054	LG4470R-0100A	GEAR	RACK F/L	
		054A	LG4970R-0124B	SPRING	COIL D35 (RACK F/L)	
		055	LG4470R-0097A	GEAR	DRIVE(D35)	
		056	LG4470R-0096A	GEAR	CAM(D35)	
		060	LG4510R-0040A	LEVER	F/R(D35)	
		061	LG4265R-0006A	CLUTCH ASSEMBLY	D35 (N)	
		064	LG4470R-0098A	GEAR	SECTOR(D35)	
		065	LG4261R-0021A	ARM ASSY	P3	NSP
		066	LG4970R-0122A	SPRING	COIL D35	NSP
		067	LG4470R-0095A	GEAR	P3	NSP
		068	LG4470R-0094A	GEAR	P2	NSP
		069	LG4970R-0122A	SPRING	COIL D35	NSP
		070	LG4261R-0020A	ARM ASSY	P2	NSP
		076	LG4510R-0047A	LEVER	SPRING	
		077	LG3300R-M116A	PLATE	SLIDER	
		078	LG4510R-0041A	LEVER	TENSION	
		079	LG3040R-0056A	BASE	TENSION(D35)	
		100	LG3301R-M022A	PLATE ASSEMBLY	TOP	
		100A	LG3300R-0184A	PLATE	GND	
		100B	LG3300R-M118A	PLATE	TOP(D35)	
		102	LG4970R-0130A	SPRING	COIL D35 (STOPPER)	
		103	LG4930R-0276A	HOLDER	SIDE(L)	NSP
		105	LG4930R-0274A	HOLDER	CST	NSP
		106	LG4930R-0275A	HOLDER	SIDE(R)	NSP
		107	LG4510R-0044A	LEVER	STOPPER	NSP
		109	LG5870R-0004A	OPENER	DOOR	
		110	LG4260R-0035A	ARM	F/L(L)	NSP
		112	LG3070R-0002A	BODY	F/L	NSP
		113	LG4970R-0127A	SPRING	COIL D35 (F/L(R))	NSP
		114	LG4260R-0036A	ARM	F/L(R)	NSP
		115	LG4510R-0042A	LEVER	SWITCH	

VHR-M263EV

S	AL	LOCA. NO.	PART NO.	DESCRIPTION	SPECIFICATION	REMARKS
		116	LG4970R-0138A	SPRING	COIL D35 SWITCH	
		117	LG3300R-M137A	PLATE	SPRING CST	
		401	LG1MEC0261518	SCREW MACHINE,PAN HEAD SPR W	#NAME?	
		402	LG1MPC0261418	SCREW MACHINE,PAN HEAD	D 2.6 L 4.0 MSWR3/FZY	
		405	LG1SZZR-0031B	SCREW,DRAWING	+1 D2.6 L5.8 SWRCH16A/FZY TAP	
		406	LG1MEC0302018	PAN HEAD MACHINE SCREW S/W +	D 3.0 L 6.0 MSWR3/FZY	
		409	LG1SZZR-0032B	SCREW,DRAWING	+1 D2.6 L5.0 SWRCH18A/FZY TAP	
		410	LG1APF0262218	SCREW TAP TITE(B),PAN HEAD	#NAME?	
		517	LG1WZZR-0004D	WASHER	STOPPER	
		518	LG1WZZR-0004A	WASHER	STOPPER	
<b>*** BOARD ASSEMBLY , MAIN PAL SCART ***</b>						
		A46	LG3501R-7805B	BOARD ASSEMBLY	VCR SANYO PAL SCART	
		275	LG4930R-0102A	HOLDER	LED	
		320	LG3720R-D020A	PANEL	VCR - DISTRIBUTOR (PAL-1SCART)	
		323	LG3111R-0089C	CASE ASSEMBLY	VCR - PRE-AMP (02-PAL)	
⚠		C101	LG624-088K	CAPACITOR	ECQU2A104ML 0.1UF/275VAC 7.5 T	ALTERNATE
⚠		C101	LG624-088L	CAPACITOR,DRAWING	435D SUNIL ELECTRONICS 0.1UF/2	
⚠		C102	LG624-088K	CAPACITOR	ECQU2A104ML 0.1UF/275VAC 7.5 T	ALTERNATE
⚠		C102	LG624-088L	CAPACITOR,DRAWING	435D SUNIL ELECTRONICS 0.1UF/2	
		C103	LG0CE476CU611	CAPACITOR,AL.ELECTROLYTIC	47UF SHL,SD 400V M FL BK7.5	
		C105	LG0CQ1031Y519	CAPACITOR,POLYESTER	0.01UF D 630V K PE NI TP	
		C106	LG624-087B	CAPACITOR	HIGH-VOL 100P/1KV SMPS SAMHWA	
		C109	LG0CE1064K638	CAPACITOR,FIXED ELECTROLYTIC	10M SRA 50V M FM5 TP(5)	
⚠		C112	LG0CG3320U630	CAPACITOR,SEMI CERAMIC	3300 PF 400V M E R(NK,AD,SD)	
⚠		C112	LG0CG3320U632	CAPACITOR,FIXED CERAMIC(TEMP.C	3300PF D 400V 20% R Y ( N 800	ALTERNATE
⚠		C113	LG0CG3310U510	CAPACITOR,FIXED CERAMIC(TEMP.C	330PF D 400V 10% B(Y5P) R	
		C114	LG0CQ4732K409	CAPACITOR,FIXED FILM	0.047UF S 50V J PE TP	
		C115	LG624-085D	CAPACITOR	CE 47UF/50V KME (SMPS)	
		C116	LG0CE108BF630	CAPACITOR,FIXED ELECTROLYTIC	1000UF KME 16V M FM5 BULK	
		C117	LG624-082H	CAPACITOR	CE 1000UF/10V SHL(10*12.5)T/P	
		C120	LG0CE477BH630	CAPACITOR,AL.ELECTROLYTIC	470UF KME TYPE 25V M FM5 BULK	
		C121	LG0CE227CH618	CAPACITOR,FIXED ELECTROLYTIC	220UF SHL,SD 25V 20% FL TP 5	
		C127	LG0CN223AK948	CAPACITOR,TUBULAR(HIGH DIELEC)	0.022UF 50V Z F TA26 S	
		C135	LG0CN4710K518	CAPACITOR TUBULA(HIGH DIELE)	470P 50V K B TA26	
		C153	LG0CE1064F638	CAPACITOR,ELECTROLYTIC	10M SRA 16V M FM5 TP(5)	
		C190	LG0CE1064F638	CAPACITOR,ELECTROLYTIC	10M SRA 16V M FM5 TP(5)	
		C301	LG0CE4754K638	CAPACITOR,FIXED ELECTROLYTIC	4.7UF SRA,SS 50V 20% FM5 TP 5	
		C302	LG0CE2264F638	CAPACITOR,ELECTROLYTIC	22M SRA 16V M FM5 TP(5)	
		C303	LG0CN1220F668	CAPACITOR TUBULA(HIGH DIELE)	1200P 16V M X TA26	
		C304	LG0CE4764F638	CAPACITOR,ELECTROLYTIC	47M SRA/SS 16V M FM5 TP(5)	
		C305	LG0CN1030F678	CAPACITOR TUBULA(HIGH DIELE)	0.01M 16V M Y TA26	
		C306	LG0CN1220F668	CAPACITOR TUBULA(HIGH DIELE)	1200P 16V M X TA26	
		C307	LG0CE1054K638	CAPACITOR,ELECTROLYTIC	1.0M SRA/SS50V M FM5 TP(5)	
		C308	LG0CQ1532K409	CAPACITOR,FIXED FILM	0.015UF S 50V J PE TP	
		C309	LG0CN1210K518	CAPACITOR TUBULA(HIGH DIELE)	120P 50V K B TA26	
		C310	LG0CQ1032K409	CAPACITOR,POLYESTER(MYLAR)	0.01UF S 50V J PE TP	
		C311	LG0CE4765K618	CAPACITOR,AL.ELECTROLYTIC	47UF SR,SV 50V M FL TP 5	
		C312	LG0CN1030F678	CAPACITOR TUBULA(HIGH DIELE)	0.01M 16V M Y TA26	
		C313	LG0CQ2232L559	CAPACITOR,POLYESTER	0.022UF S 63V K PP NI TP5	
		C314	LG0CE2264F638	CAPACITOR,ELECTROLYTIC	22M SRA 16V M FM5 TP(5)	
		C315	LG0CE2253K636	CAPACITOR,FIXED ELECTROLYTIC	2.2UF SRE,SE 50V 20% FM5 BP(D)	
		C316	LG0CE1064F638	CAPACITOR,ELECTROLYTIC	10M SRA 16V M FM5 TP(5)	
		C317	LG0CN1030F678	CAPACITOR TUBULA(HIGH DIELE)	0.01M 16V M Y TA26	
		C318	LG0CE1054K638	CAPACITOR,ELECTROLYTIC	1.0M SRA/SS50V M FM5 TP(5)	
		C319	LG0CQ1032K409	CAPACITOR,POLYESTER(MYLAR)	0.01UF S 50V J PE TP	
		C320	LG0CE1054K638	CAPACITOR,ELECTROLYTIC	1.0M SRA/SS50V M FM5 TP(5)	
		C321	LG0CX6800K408	CAPACITOR TUBULA(T.C)	68P 50V J SL TA26	
		C322	LG0CE1064F638	CAPACITOR,ELECTROLYTIC	10M SRA 16V M FM5 TP(5)	
		C323	LG0CE1064F638	CAPACITOR,ELECTROLYTIC	10M SRA 16V M FM5 TP(5)	

VHR-M263EV

S	AL	LOCA. NO.	PART NO.	DESCRIPTION	SPECIFICATION	REMARKS
		C324	LG0CE4754K638	CAPACITOR, FIXED ELECTROLYTIC	4.7UF SRA, SS 50V 20% FM5 TP 5	
		C325	LG0CE1064F638	CAPACITOR, ELECTROLYTIC	10M SRA 16V M FM5 TP(5)	
		C326	LG0CN1030F678	CAPACITOR TUBULA(HIGH DIELE)	0.01M 16V M Y TA26	
		C327	LG0CE1054K638	CAPACITOR, ELECTROLYTIC	1.0M SRA/SS50V M FM5 TP(5)	
		C328	LG0CN1030F678	CAPACITOR TUBULA(HIGH DIELE)	0.01M 16V M Y TA26	
		C329	LG0CN1030F678	CAPACITOR TUBULA(HIGH DIELE)	0.01M 16V M Y TA26	
		C330	LG0CN1040K948	CAPACITOR, FIXED TUBULAR(High d	0.1UF D 50V 80%,-20% F(Y5V) TA	
		C331	LG0CE1064F638	CAPACITOR, ELECTROLYTIC	10M SRA 16V M FM5 TP(5)	
		C333	LG0CE4764F638	CAPACITOR, ELECTROLYTIC	47M SRA/SS 16V M FM5 TP(5)	
		C334	LG0CN4730K948	CAPACITOR, FIXED TUBULAR(High d	0.047UF D 50V 80%,-20% F(Y5V)	
		C335	LG0CN1030F678	CAPACITOR TUBULA(HIGH DIELE)	0.01M 16V M Y TA26	
		C336	LG0CE4764F638	CAPACITOR, ELECTROLYTIC	47M SRA/SS 16V M FM5 TP(5)	
		C337	LG0CE1054K638	CAPACITOR, ELECTROLYTIC	1.0M SRA/SS50V M FM5 TP(5)	
		C338	LG0CN4730K948	CAPACITOR, FIXED TUBULAR(High d	0.047UF D 50V 80%,-20% F(Y5V)	
		C339	LG0CE1054K638	CAPACITOR, ELECTROLYTIC	1.0M SRA/SS50V M FM5 TP(5)	
		C340	LG0CN4730K948	CAPACITOR, FIXED TUBULAR(High d	0.047UF D 50V 80%,-20% F(Y5V)	
		C341	LG0CN223AK948	CAPACITOR, TUBULAR(HIGH DIELEC)	0.022UF 50V Z F TA26 S	
		C342	LG0CN1040K948	CAPACITOR, FIXED TUBULAR(High d	0.1UF D 50V 80%,-20% F(Y5V) TA	
		C343	LG0CN4730K948	CAPACITOR, FIXED TUBULAR(High d	0.047UF D 50V 80%,-20% F(Y5V)	
		C344	LG0CN1010K518	CAPACITOR, TUBULAR(HIGH DIELEC)	100P 50V K B TA26	
		C345	LG0CN3330K518	CAPACITOR, FIXED TUBULAR(High d	0.033UF 50V K B TA26	
		C346	LG0CE4764F638	CAPACITOR, ELECTROLYTIC	47M SRA/SS 16V M FM5 TP(5)	
		C347	LG0CE1054K638	CAPACITOR, ELECTROLYTIC	1.0M SRA/SS50V M FM5 TP(5)	
		C348	LG0CE1054K638	CAPACITOR, ELECTROLYTIC	1.0M SRA/SS50V M FM5 TP(5)	
		C349	LG0CE4764F638	CAPACITOR, ELECTROLYTIC	47M SRA/SS 16V M FM5 TP(5)	
		C353	LG0CE1054K638	CAPACITOR, ELECTROLYTIC	1.0M SRA/SS50V M FM5 TP(5)	
		C355	LG0CN1040K948	CAPACITOR, FIXED TUBULAR(High d	0.1UF D 50V 80%,-20% F(Y5V) TA	
		C356	LG0CE1054K638	CAPACITOR, ELECTROLYTIC	1.0M SRA/SS50V M FM5 TP(5)	
		C357	LG0CE1054K638	CAPACITOR, ELECTROLYTIC	1.0M SRA/SS50V M FM5 TP(5)	
		C358	LG0CX6800K408	CAPACITOR TUBULA(T.C)	68P 50V J SL TA26	
		C359	LG0CE1054K638	CAPACITOR, ELECTROLYTIC	1.0M SRA/SS50V M FM5 TP(5)	
		C360	LG0CN1040K948	CAPACITOR, FIXED TUBULAR(High d	0.1UF D 50V 80%,-20% F(Y5V) TA	
		C361	LG0CN223AK948	CAPACITOR, TUBULAR(HIGH DIELEC)	0.022UF 50V Z F TA26 S	
		C362	LG0CE1064F638	CAPACITOR, ELECTROLYTIC	10M SRA 16V M FM5 TP(5)	
		C363	LG0CN1030F678	CAPACITOR TUBULA(HIGH DIELE)	0.01M 16V M Y TA26	
		C364	LG0CE4764F638	CAPACITOR, ELECTROLYTIC	47M SRA/SS 16V M FM5 TP(5)	
		C365	LG0CE1064F638	CAPACITOR, ELECTROLYTIC	10M SRA 16V M FM5 TP(5)	
		C366	LG0CN1040K948	CAPACITOR, FIXED TUBULAR(High d	0.1UF D 50V 80%,-20% F(Y5V) TA	
		C367	LG0CN1040K948	CAPACITOR, FIXED TUBULAR(High d	0.1UF D 50V 80%,-20% F(Y5V) TA	
		C368	LG0CQ8224K409	CAPACITOR, FIXED FILM	0.0082UF TE 50V 5% PE TP5	
		C369	LG0CN1010K518	CAPACITOR, TUBULAR(HIGH DIELEC)	100P 50V K B TA26	
		C370	LG0CN8200K418	CAPACITOR TUBULA(HIGH DIELE)	82P 50V J B TA26	
		C371	LG0CN8200K418	CAPACITOR TUBULA(HIGH DIELE)	82P 50V J B TA26	
		C372	LG0CN8200K418	CAPACITOR TUBULA(HIGH DIELE)	82P 50V J B TA26	
		C373	LG0CN1040K948	CAPACITOR, FIXED TUBULAR(High d	0.1UF D 50V 80%,-20% F(Y5V) TA	
		C375	LG0CN1020K518	CAPACITOR TUBULA(HIGH DIELE)	1000P 50V K B TA26	
		C500	LG0CE4775C638	CAPACITOR, FIXED ELECTROLYTIC	470UF SR, SV 6.3V 20% FM5 TP 5	
		C501	LG0CN1040K948	CAPACITOR, FIXED TUBULAR(High d	0.1UF D 50V 80%,-20% F(Y5V) TA	
		C502	LG0CE4764F638	CAPACITOR, ELECTROLYTIC	47M SRA/SS 16V M FM5 TP(5)	
		C503	LG0CE2274C638	CAPACITOR, ELECTROLYTIC	220M SRA 6.3V M FM5 TP(5)	
		C504	LG0CE2274C638	CAPACITOR, ELECTROLYTIC	220M SRA 6.3V M FM5 TP(5)	
		C505	LG0CE4764F638	CAPACITOR, ELECTROLYTIC	47M SRA/SS 16V M FM5 TP(5)	
		C506	LG0CN223AK948	CAPACITOR, TUBULAR(HIGH DIELEC)	0.022UF 50V Z F TA26 S	
		C508	LG0CN1030F678	CAPACITOR TUBULA(HIGH DIELE)	0.01M 16V M Y TA26	
		C509	LG0CC2200K415	CAPACITOR, CERAMIC(TEMP COMP)	22P 50V J NPO TS	
		C510	LG0CE2274C638	CAPACITOR, ELECTROLYTIC	220M SRA 6.3V M FM5 TP(5)	
		C511	LG0CN1040K948	CAPACITOR, FIXED TUBULAR(High d	0.1UF D 50V 80%,-20% F(Y5V) TA	
		C512	LG0CN1020K518	CAPACITOR TUBULA(HIGH DIELE)	1000P 50V K B TA26	
		C513	LG0CN1020K518	CAPACITOR TUBULA(HIGH DIELE)	1000P 50V K B TA26	

VHR-M263EV

S	AL	LOCA. NO.	PART NO.	DESCRIPTION	SPECIFICATION	REMARKS
		C514	LG0CC1200K415	CAPACITOR, FIXED CERAMIC (TEMP. C	12PF 2012 50V 5% NP0 TR	
		C515	LG0CC1500K415	CAPACITOR, CERAMIC (TEMP COMP)	15P 50V J NP0 TS	
		C516	LG0CN223AK948	CAPACITOR, TUBULAR (HIGH DIELEC)	0.022UF 50V Z F TA26 S	
		C518	LG0CN1030F678	CAPACITOR TUBULA (HIGH DIELE)	0.01M 16V M Y TA26	
		C519	LG0CN1040K948	CAPACITOR, FIXED TUBULAR (High d	0.1UF D 50V 80%, -20% F(Y5V) TA	
		C520	LG0CN1020K518	CAPACITOR TUBULA (HIGH DIELE)	1000P 50V K B TA26	
		C523	LG0CE2254K638	CAPACITOR, FIXED ELECTROLYTIC	2.2UF SRA, SS 50V 20% FM5 TP 5	
		C524	LG0CE4764F638	CAPACITOR, ELECTROLYTIC	47M SRA/SS 16V M FM5 TP(5)	
		C525	LG0CE2274C638	CAPACITOR, ELECTROLYTIC	220M SRA 6.3V M FM5 TP(5)	
		C526	LG0CE4764J638	CAPACITOR, AL. ELECTROLYTIC	47UF SRA, SS 35V M FM5 TP 5	
		C527	LG0CN2210K518	CAPACITOR TUBULA (HIGH DIELE)	220P 50V K B TA26	
		C533	LG0CN1020K518	CAPACITOR TUBULA (HIGH DIELE)	1000P 50V K B TA26	
		C534	LG0CE4754K638	CAPACITOR, FIXED ELECTROLYTIC	4.7UF SRA, SS 50V 20% FM5 TP 5	
		C535	LG0CE4754K638	CAPACITOR, FIXED ELECTROLYTIC	4.7UF SRA, SS 50V 20% FM5 TP 5	
		C543	LG0CN2220F668	CAPACITOR, TUBULAR (HIGH DIELEC)	2200P 16V M X TA26	
		C544	LG0CQ4732K409	CAPACITOR, FIXED FILM	0.047UF S 50V J PE TP	
		C545	LG0CN3330K518	CAPACITOR, FIXED TUBULAR (High d	0.033UF 50V K B TA26	
		C546	LG0CE4764J638	CAPACITOR, AL. ELECTROLYTIC	47UF SRA, SS 35V M FM5 TP 5	
		C547	LG0CN1030F678	CAPACITOR TUBULA (HIGH DIELE)	0.01M 16V M Y TA26	
		C551	LG0CQ3332K409	CAPACITOR, FIXED FILM	0.033UF S 50V J PE TP	
		C552	LG0CN1030F678	CAPACITOR TUBULA (HIGH DIELE)	0.01M 16V M Y TA26	
		C561	LG0CE2274C638	CAPACITOR, ELECTROLYTIC	220M SRA 6.3V M FM5 TP(5)	
		C564	LG0CN1020K518	CAPACITOR TUBULA (HIGH DIELE)	1000P 50V K B TA26	
		C567	LG0CN1020K518	CAPACITOR TUBULA (HIGH DIELE)	1000P 50V K B TA26	
		C570	LG0CC1500K415	CAPACITOR, CERAMIC (TEMP COMP)	15P 50V J NP0 TS	
		C571	LG0CC1500K415	CAPACITOR, CERAMIC (TEMP COMP)	15P 50V J NP0 TS	
		C575	LG0CN1020K518	CAPACITOR TUBULA (HIGH DIELE)	1000P 50V K B TA26	
		C576	LG0CC2700K415	CAPACITOR CERAMIC (TEMP COMP)	27P 50V J NP0 TP	
		C577	LG0CN223AK948	CAPACITOR, TUBULAR (HIGH DIELEC)	0.022UF 50V Z F TA26 S	
		C578	LG0CN2220F668	CAPACITOR, TUBULAR (HIGH DIELEC)	2200P 16V M X TA26	
		C581	LG0CN1030F678	CAPACITOR TUBULA (HIGH DIELE)	0.01M 16V M Y TA26	
		C582	LG0CN1030F678	CAPACITOR TUBULA (HIGH DIELE)	0.01M 16V M Y TA26	
		C583	LG0CN1040K948	CAPACITOR, FIXED TUBULAR (High d	0.1UF D 50V 80%, -20% F(Y5V) TA	
		C589	LG0CQ2232K409	CAPACITOR, FIXED FILM	0.022UF S 50V J PE TP	
		C596	LG0CN1040K948	CAPACITOR, FIXED TUBULAR (High d	0.1UF D 50V 80%, -20% F(Y5V) TA	
		C5A3	LG0CN1040K948	CAPACITOR, FIXED TUBULAR (High d	0.1UF D 50V 80%, -20% F(Y5V) TA	
		C5A4	LG0CN1030F678	CAPACITOR TUBULA (HIGH DIELE)	0.01M 16V M Y TA26	
		C5A5	LG0CE1054K638	CAPACITOR, ELECTROLYTIC	1.0M SRA/SS 50V M FM5 TP(5)	
		C5G1	LG0CN1020K518	CAPACITOR TUBULA (HIGH DIELE)	1000P 50V K B TA26	
		C5G2	LG0CE1086C638	CAPACITOR, FIXED ELECTROLYTIC	1000000000 PF SMS, SG 6.3V M FM	
		C5G3	LG0CN1040K948	CAPACITOR, FIXED TUBULAR (High d	0.1UF D 50V 80%, -20% F(Y5V) TA	
		C5K1	LG0CN1040K948	CAPACITOR, FIXED TUBULAR (High d	0.1UF D 50V 80%, -20% F(Y5V) TA	
		C5R1	LG0CE3364F638	CAPACITOR, ELECTROLYTIC	33M SRA 16V M FM5 TP(5)	
		C5R2	LG0CN6810K518	CAPACITOR TUBULA (HIGH DIELE)	680P 50V K B TA26	
		C5S1	LG0CX4300K408	CAPACITOR TUBULA (T.C)	43P 50V J SL TA26	
		C5S3	LG0CN223AK948	CAPACITOR, TUBULAR (HIGH DIELEC)	0.022UF 50V Z F TA26 S	
		C701	LG0CE4754K638	CAPACITOR, FIXED ELECTROLYTIC	4.7UF SRA, SS 50V 20% FM5 TP 5	
		C704	LG0CE4764F638	CAPACITOR, ELECTROLYTIC	47M SRA/SS 16V M FM5 TP(5)	
		C705	LG0CN1030F678	CAPACITOR TUBULA (HIGH DIELE)	0.01M 16V M Y TA26	
		C706	LG0CE4775C618	CAPACITOR, AL. ELECTROLYTIC	470UF SR, SV 6.3V M FL TP 5	
		C707	LG0CN1030F678	CAPACITOR TUBULA (HIGH DIELE)	0.01M 16V M Y TA26	
		C710	LG0CX6800K408	CAPACITOR TUBULA (T.C)	68P 50V J SL TA26	
		C711	LG0CX3300K408	CAPACITOR TUBULA (T.C)	33P 50V J SL TA26	
		C712	LG0CX5R60K508	CAPACITOR TUBULA (T.C)	5.6PF 50V K SL TA26	
		C713	LG0CE4764F638	CAPACITOR, ELECTROLYTIC	47M SRA/SS 16V M FM5 TP(5)	
		C714	LG0CN1030F678	CAPACITOR TUBULA (HIGH DIELE)	0.01M 16V M Y TA26	
		C770	LG0CN1020K518	CAPACITOR TUBULA (HIGH DIELE)	1000P 50V K B TA26	
		C790	LG0CN1030F678	CAPACITOR TUBULA (HIGH DIELE)	0.01M 16V M Y TA26	
		C7M2	LG0CE1064F638	CAPACITOR, ELECTROLYTIC	10M SRA 16V M FM5 TP(5)	

VHR-M263EV

S	AL	LOCA. NO.	PART NO.	DESCRIPTION	SPECIFICATION	REMARKS
		C7M6	LG0CX2700K408	CAPACITOR TUBULA(T.C)	27P 50V J SL TA26	
		C901	LG0CN1020K518	CAPACITOR TUBULA(HIGH DIELE)	1000P 50V K B TA26	
		C902	LG0CE477CF638	CAPACITOR,AL.ELECTROLYTIC	470UF SHL TYPE 16V M FM5 TP 5	
		C903	LG0CN1020K518	CAPACITOR TUBULA(HIGH DIELE)	1000P 50V K B TA26	
		C904	LG0CN1020K518	CAPACITOR TUBULA(HIGH DIELE)	1000P 50V K B TA26	
		C909	LG0CN1040K948	CAPACITOR,FIXED TUBULAR(High d	0.1UF D 50V 80%,-20% F(Y5V) TA	
		C920	LG0CN1040K948	CAPACITOR,FIXED TUBULAR(High d	0.1UF D 50V 80%,-20% F(Y5V) TA	
		C921	LG0CN1040K948	CAPACITOR,FIXED TUBULAR(High d	0.1UF D 50V 80%,-20% F(Y5V) TA	
		C956	LG0CE1054K638	CAPACITOR,ELECTROLYTIC	1.0M SRA/SS50V M FM5 TP(5)	
		C957	LG0CX2700K408	CAPACITOR TUBULA(T.C)	27P 50V J SL TA26	
		C960	LG0CN1040K948	CAPACITOR,FIXED TUBULAR(High d	0.1UF D 50V 80%,-20% F(Y5V) TA	
		C961	LG0CE1064F638	CAPACITOR,ELECTROLYTIC	10M SRA 16V M FM5 TP(5)	
		FL301	LG633-032K	COIL,IFT	BIAC OSC,1CHIP 5V(KS-75M) KWAN	
		L103	LG633-088G	COIL,CHOKE	CHOCK(22MH) 5MM TOKO TP	
		L104	LG633-088G	COIL,CHOKE	CHOCK(22MH) 5MM TOKO TP	
		L301	LG0LR0102J0N5	INDUCTOR,RADIAL LEAD	10UH 5% TP 3X5 TR5	
		L301	LGGLR0102K0P5	INDUCTOR,RADIAL LEAD	LF7.5N OEL 10UH 10% TP 4.8X4.0	ALTERNATE
		L301	LG0LR0102K0P5	INDUCTOR,RADIAL LEAD	LF7.5N OEL 10UH 10% TP 4.8X4.0	ALTERNATE
		L302	LG0LR1000K035	INDUCTOR RADIAL LEAD	100M K 6X6 L5 TP	
		L303	LG0LR0102J0N5	INDUCTOR,RADIAL LEAD	10UH 5% TP 3X5 TR5	
		L303	LG0LR0102K0P5	INDUCTOR,RADIAL LEAD	LF7.5N OEL 10UH 10% TP 4.8X4.0	ALTERNATE
		L303	LGGLR0102K0P5	INDUCTOR,RADIAL LEAD	LF7.5N OEL 10UH 10% TP 4.8X4.0	ALTERNATE
		L304	LG0LR0102J0N5	INDUCTOR,RADIAL LEAD	10UH 5% TP 3X5 TR5	
		L304	LG0LR0102K0P5	INDUCTOR,RADIAL LEAD	LF7.5N OEL 10UH 10% TP 4.8X4.0	ALTERNATE
		L304	LGGLR0102K0P5	INDUCTOR,RADIAL LEAD	LF7.5N OEL 10UH 10% TP 4.8X4.0	ALTERNATE
		L305	LG0LR1000K035	INDUCTOR RADIAL LEAD	100M K 6X6 L5 TP	
		L307	LG0LR0102J0N5	INDUCTOR,RADIAL LEAD	10UH 5% TP 3X5 TR5	
		L307	LGGLR0102K0P5	INDUCTOR,RADIAL LEAD	LF7.5N OEL 10UH 10% TP 4.8X4.0	ALTERNATE
		L307	LG0LR0102K0P5	INDUCTOR,RADIAL LEAD	LF7.5N OEL 10UH 10% TP 4.8X4.0	ALTERNATE
		L501	LG0LA0122K018	INDUCTOR AXIAL LEAD	12M K 2.3X3.4 L5 TP	
		L503	LG0LR1000K035	INDUCTOR RADIAL LEAD	100M K 6X6 L5 TP	
		L504	LG0LR0102J0N5	INDUCTOR,RADIAL LEAD	10UH 5% TP 3X5 TR5	
		L504	LG0LR0102K0P5	INDUCTOR,RADIAL LEAD	LF7.5N OEL 10UH 10% TP 4.8X4.0	ALTERNATE
		L505	LG0LR1000K035	INDUCTOR RADIAL LEAD	100M K 6X6 L5 TP	
		L506	LG635-027C	INDUCTOR,RADIAL LEAD	EL0405RA SKI150G-3 K-TDK 15UH	
		L5G2	LG0LR1500K035	INDUCTOR RADIAL LEAD	150M K 6X6 L5 TP	
		L5S1	LG0LA0332K018	INDUCTOR AXIAL LEAD	33M K 2.3X3.4 L5 TP	
		L702	LG0LR1000K035	INDUCTOR RADIAL LEAD	100M K 6X6 L5 TP	
		L702	LGGLR1000K0P5	INDUCTOR,RADIAL LEAD	LF7.5N OEL 100UH 10% TP 4.8X4.	ALTERNATE
		L703	LG0LR1000K035	INDUCTOR RADIAL LEAD	100M K 6X6 L5 TP	
		L703	LGGLR1000K0P5	INDUCTOR,RADIAL LEAD	LF7.5N OEL 100UH 10% TP 4.8X4.	ALTERNATE
		L704	LG0LA0821K018	INDUCTOR AXIAL LEAD	8.2M K 2.3X3.4 L5 TP	
		L705	LG0LR1000K035	INDUCTOR RADIAL LEAD	100M K 6X6 L5 TP	
		L705	LGGLR1000K0P5	INDUCTOR,RADIAL LEAD	LF7.5N OEL 100UH 10% TP 4.8X4.	ALTERNATE
		L901	LG0LA1000K018	INDUCTOR AXIAL LEAD	100M K 2.3X3.4 L5 TP	
		L902	LG0LA1000K018	INDUCTOR AXIAL LEAD	100M K 2.3X3.4 L5 TP	
		L904	LG0LA1000K018	INDUCTOR AXIAL LEAD	100M K 2.3X3.4 L5 TP	
		L906	LG0LA1000K018	INDUCTOR AXIAL LEAD	100M K 2.3X3.4 L5 TP	
	⚠	BD101	LG0DD160000DA	DIODE	S1WBA60(1A 600V) SHIDENKEN	
		D102	LG0DD010009CA	DIODE,RECTIFIER	EG01CW(R-FORM 5MM) TP SANKEN	
		D102	LG0DD221009AA	DIODE,RECTIFIERS	ERA22-10 KFLB,TP ,R T/P,FUJI	ALTERNATE
		D103	LG0DR180209AA	DIODE,RECTIFIER	ERA18-02KFRB TP FUJI DO204AL 2	
		D104	LG0DD133009AA	DIODE,SWITCHING	1SS133 DETECT,SW TP	
		D105	LG0DD010009AC	DIODE	EU01W(R-FORM) TP SANKEN	ALTERNATE
		D105	LG0DR104009BA	DIODE,RECTIFIER	RL104F TP RECTRON NON 400V 1A	
		D106	LG0DR810040BA	DIODE,RECTIFIER	ERC81-004L22 BK FUJI DO201AD 4	ALTERNATE
		D106	LG0DR158220AA	DIODE,RECTIFIER	1N5822 BK RECTRON DO201AD 40V	
		D109	LG0DR310000AA	DIODE,RECTIFIERS	RU3YXLF-C1 BK SANKEN D4 100V 2	ALTERNATE
		D109	LG0DR202000AB	DIODE,RECTIFIER	HER202 BK RECTRON NON 100V 2A	

VHR-M263EV

S	AL	LOCA. NO.	PART NO.	DESCRIPTION	SPECIFICATION	REMARKS
		D155	LG0DD207000AB	DIODE,RECTIFIERS	2A07 2A RECT(T/S)P=12.5 F DELT	
		D156	LG0DD133009AA	DIODE,SWITCHING	1SS133 DETECT,SW TP	
		D159	LG0DD133009AA	DIODE,SWITCHING	1SS133 DETECT,SW TP	
		D160	LG0DD133009AA	DIODE,SWITCHING	1SS133 DETECT,SW TP	
		D301	LG0DD133009AA	DIODE,SWITCHING	1SS133 DETECT,SW TP	
		D502	LG0DD133009AA	DIODE,SWITCHING	1SS133 DETECT,SW TP	
		D509	LG0DD133009AA	DIODE,SWITCHING	1SS133 DETECT,SW TP	
		D901	LG0DD133009AA	DIODE,SWITCHING	1SS133 DETECT,SW TP	
		D902	LG0DD133009AA	DIODE,SWITCHING	1SS133 DETECT,SW TP	
		D903	LG0DD133009AA	DIODE,SWITCHING	1SS133 DETECT,SW TP	
		L101	LG636-004C	FILTER(CIRC),EMC	BEAD CORE BFS3550R2FD8,R T/P	
	△	L102	LG616-145H	FILTER(CIRC)	SHT LFS2020V4-04350	
		L106	LG636-004C	FILTER(CIRC),EMC	BEAD CORE BFS3550R2FD8,R T/P	
		L905	LG636-004C	FILTER(CIRC),EMC	BEAD CORE BFS3550R2FD8,R T/P	
		L907	LG636-004C	FILTER(CIRC),EMC	BEAD CORE BFS3550R2FD8,R T/P	
		W588	LG636-004C	FILTER(CIRC),EMC	BEAD CORE BFS3550R2FD8,R T/P	
	△	F101	LG585-011T	FUSE,SLOW BLOW	1600MA 250 V 5.2X20 CY/GL SEMK	
		F102	GGIRH200000B	IC,ROHM	ICP-N20 T104 TP IC DETACT	
	△	IC101	LG0IPMGSK003A	IC,POWER MANAGEMENT	STR-A6351 SANKEN 8 DIP ST SMPS	
		IC103	LG0IKE431000A	IC,KEC	KIA431 3 PIN TP	
		IC301	LG0ILNRSAA005B	IC,LINEAR	LA71750EM SANYO 100PIN QFP TRA	
		IC501	LG0IMCRHI027A	IC,MICRO CONTROLLER	HD64322197SA19F HITACHI 112PIN	
		IC503	LG0IAL241600B	IC,ATMEL	AT24C16 - - - -	ALTERNATE
		IC503	LG0ICS241600B	IC,CATALYST	CAT24W16P 8P DIP ST 16K SERIAL	
		IC504	LG0ISS753100A	IC,SAMSUNG ELECTRONICS	KA7531Z TO-92 TP 3.1V RESET	ALTERNATE
		IC504	LG0IKE703100A	IC,KEC	KIA7031P 3P 3.1V RESET(TAPING)	
		IC505	LG0IKE704200B	IC,KEC	KIA7042P 3P 4.2V RESET(TAPING)	
		IC506	LG0ILNRPY001A	IC,LINEAR	PT6955 PTC 24P SOP ST LED DRIV	
		JK901	LG6620RM0002K	JACK,SCART	DSAM-0120 DOOWON 1F-21P (BK)	
		LD501	LG4931R-0017C	HOLDER ASSY	LED(DI-CKD)LOCAL	
		LED501	LG6301R2U002D	LED ASSY	TOF-3462AGE-B OASIS UNIVERSAL	
		LED501	LG6301R3U002D	LED ASSEMBLY	ELF347GWB/S285 EVERLIGHT UNIVE	ALTERNATE
		Q151	LG0TR127309AA	TRANSISTOR	KTA1273-TP-Y (KTA966A)KEC	
		Q151	LG0TR928009AD	TRANSISTOR	KSA928A-Y,TO-92L TP SAMSUNG TO	ALTERNATE
		Q152	LG0TR127309AA	TRANSISTOR	KTA1273-TP-Y (KTA966A)KEC	
		Q152	LG0TR928009AD	TRANSISTOR	KSA928A-Y,TO-92L TP SAMSUNG TO	ALTERNATE
		Q154	LG0TR126809BA	TRANSISTOR,BIPOLARS	KTA1268-BL TP KEC	
		Q155	LG0TR320509AB	TRANSISTOR	KTC3205-TP-Y (KTC2236A)KEC	
		Q155	LG0TR232809AB	TRANSISTOR	KSC2328A-Y TP SAMSUNG TO-92L	ALTERNATE
		Q157	LG0TR100309AA	TRANSISTOR	KSR1003 TP (S/S)	ALTERNATE
		Q157	LG0TR120309AE	TRANSISTOR	SRC1203 TP AUK TO92 22K,22K	
		Q162	LG0TR534309BA	TRANSISTOR	2SC5343-L TP AUK TO92	
		Q163	LG0TR120109AC	TRANSISTOR	SRC1201 TP AUK TO92 4.7K,4.7K	
		Q164	LG0TR100309AA	TRANSISTOR	KSR1003 TP (S/S)	ALTERNATE
		Q164	LG0TR120309AE	TRANSISTOR	SRC1203 TP AUK TO92 22K,22K	
		Q165	LG0TR200309AA	TRANSISTOR	KSR2003TA TP FAIRCHILD TO92	ALTERNATE
		Q165	LG0TR220309AF	TRANSISTOR	SRA2203 TP AUK TO92 22K,22K	
		Q166	LG0TR127309AA	TRANSISTOR	KTA1273-TP-Y (KTA966A)KEC	
		Q166	LG0TR928009AD	TRANSISTOR	KSA928A-Y,TO-92L TP SAMSUNG TO	ALTERNATE
		Q301	LG0TR319809AC	TRANSISTOR	KTC3198-TP-BL (KTC1815)KEC	ALTERNATE
		Q301	LG0TR534309BA	TRANSISTOR	2SC5343-L TP AUK TO92	
		Q302	LG0TR198009CA	TRANSISTOR	2SA1980G TP AUK TO92	
		Q303	LG0TR319809AC	TRANSISTOR	KTC3198-TP-BL (KTC1815)KEC	ALTERNATE
		Q303	LG0TR534309BA	TRANSISTOR	2SC5343-L TP AUK TO92	
		Q304	LG0TR319809AC	TRANSISTOR	KTC3198-TP-BL (KTC1815)KEC	ALTERNATE
		Q304	LG0TR534309BA	TRANSISTOR	2SC5343-L TP AUK TO92	
		Q305	LG0TR198009CA	TRANSISTOR	2SA1980G TP AUK TO92	
		Q306	LG0TR320309AA	TRANSISTOR,BIPOLARS	KTC3203 KEC TP TO92 50V 150MA	ALTERNATE
		Q306	LG0TR534409AA	TRANSISTOR	2SC5344Y TP	

VHR-M263EV

S	AL	LOCA. NO.	PART NO.	DESCRIPTION	SPECIFICATION	REMARKS
		Q308	LG0TR198009CA	TRANSISTOR	2SA1980G TP AUK TO92	
		Q309	LG0TR198009CA	TRANSISTOR	2SA1980G TP AUK TO92	
		Q501	LG0TR534309BA	TRANSISTOR	2SC5343-L TP AUK TO92	
		Q502	LG0TR534309BA	TRANSISTOR	2SC5343-L TP AUK TO92	
		Q503	LG0TR127309AA	TRANSISTOR	KTA1273-TP-Y (KTA966A)KEC	
		Q504	LG0TR534309BA	TRANSISTOR	2SC5343-L TP AUK TO92	
		Q514	LG0TR100309AA	TRANSISTOR	KSR1003 TP (S/S)	ALTERNATE
		Q514	LG0TR120309AE	TRANSISTOR	SRC1203 TP AUK TO92 22K,22K	
		Q515	LG0TR100309AA	TRANSISTOR	KSR1003 TP (S/S)	ALTERNATE
		Q515	LG0TR120309AE	TRANSISTOR	SRC1203 TP AUK TO92 22K,22K	
		Q5S1	LG0TR534309BA	TRANSISTOR	2SC5343-L TP AUK TO92	
		Q901	LG0TR100309AA	TRANSISTOR	KSR1003 TP (S/S)	ALTERNATE
		Q901	LG0TR120309AE	TRANSISTOR	SRC1203 TP AUK TO92 22K,22K	
		Q902	LG0TR200309AA	TRANSISTOR	KSR2003TA TP FAIRCHILD TO92	ALTERNATE
		Q902	LG0TR220309AF	TRANSISTOR	SRA2203 TP AUK TO92 22K,22K	
		Q903	LG0TR100309AA	TRANSISTOR	KSR1003 TP (S/S)	ALTERNATE
		Q903	LG0TR120309AE	TRANSISTOR	SRC1203 TP AUK TO92 22K,22K	
		Q906	LG0TR534309BA	TRANSISTOR	2SC5343-L TP AUK TO92	
		R101	LG614-007A	RESISTOR	2.7/2W CEMENT SMPS V	
		R102	LG0RD1803F608	RESISTOR, FIXED CARBON FILM	180K OHM 1/6 W 0.05 TA26	
		R103	LG0RD0682F608	RESISTOR, FIXED CARBON FILM	68 OHM 1/6 W 5.00% TA26	
		R104	LG0RS5602K619	RESISTOR, FIXED METAL OXIDE FIL	56K OHM 2 W 5.00% TR	
		R105	LG0RF0101A619	RESISTOR, DRAWING	1 OHM 1/2 W(7.0) 5.00% TR	
		R106	LG0RD1803F608	RESISTOR, FIXED CARBON FILM	180K OHM 1/6 W 0.05 TA26	
		R109	LG0RS0350K619	RESISTOR, FIXED METAL OXIDE FIL	0.35 OHM 2 W 5.00% TR	
		R112	LG0RD1003F608	RESISTOR, FIXED CARBON FILM	100K OHM 1/6 W 5% TA26	
		R116	LG0RD2200F608	RESISTOR, FIXED CARBON FILM	220 OHM 1/6 W 5% TA26	
		R117	LG0RD2201F608	RESISTOR, FIXED CARBON FILM	2.2K OHM 1/6 W 5% TA26	
		R118	LG0RD1001F608	RESISTOR, FIXED CARBON FILM	1K OHM 1/6 W 5% TA26	
		R119	LG0RN3301F408	RESISTOR, FIXED METAL FILM	3.3K OHM 1/6 W 1% TA26	
		R120	LG0RN3001F408	RESISTOR, FIXED METAL FILM	3K OHM 1/6 W 1% TA26	
		R125	LG0RD4701F608	RESISTOR, FIXED CARBON FILM	4.7K OHM 1/6 W 5% TA26	
		R126	LG0RD6800F608	RESISTOR, FIXED CARBON FILM	680 OHM 1/6 W 5% TA26	
		R151	LG0RD1001F608	RESISTOR, FIXED CARBON FILM	1K OHM 1/6 W 5% TA26	
		R152	LG0RD3300F608	RESISTOR, FIXED CARBON FILM	330 OHM 1/6 W 5% TA26	
		R153	LG0RD1001F608	RESISTOR, FIXED CARBON FILM	1K OHM 1/6 W 5% TA26	
		R154	LG0RD3300F608	RESISTOR, FIXED CARBON FILM	330 OHM 1/6 W 5% TA26	
		R155	LG0RD3301F608	RESISTOR, FIXED CARBON FILM	3.3K OHM 1/6 W 5% TA26	
		R157	LG0RD1001F608	RESISTOR, FIXED CARBON FILM	1K OHM 1/6 W 5% TA26	
		R158	LG0RD1802F608	RESISTOR, FIXED CARBON FILM	18K OHM 1/6 W 5% TA26	
		R159	LG0RD4700F608	RESISTOR, FIXED CARBON FILM	470 OHM 1/6 W 5% TA26	
		R161	LG0RD4701F608	RESISTOR, FIXED CARBON FILM	4.7K OHM 1/6 W 5% TA26	
		R170	LG0RD5601F608	RESISTOR, FIXED CARBON FILM	5.6K OHM 1/6 W 5% TA26	
		R172	LG0RD2700F608	RESISTOR, FIXED CARBON FILM	270 OHM 1/6 W 5% TA26	
		R173	LG0RD2700F608	RESISTOR, FIXED CARBON FILM	270 OHM 1/6 W 5% TA26	
		R1B1	LG0RD1504H632	RESISTOR, FIXED CARBON FILM	1.5M OHM 1/2 W 5.00% MF10	
		R301	LG0RD5602F608	RESISTOR, FIXED CARBON FILM	56K OHM 1/6 W 5% TA26	
		R303	LG0RD1802F608	RESISTOR, FIXED CARBON FILM	18K OHM 1/6 W 5% TA26	
		R304	LG0RD1002F608	RESISTOR, FIXED CARBON FILM	10K OHM 1/6 W 5% TA26	
		R305	LG0RD1002F608	RESISTOR, FIXED CARBON FILM	10K OHM 1/6 W 5% TA26	
		R306	LG0RD2202F608	RESISTOR, FIXED CARBON FILM	22K OHM 1/6 W 5% TA26	
		R307	LG0RD2201F608	RESISTOR, FIXED CARBON FILM	2.2K OHM 1/6 W 5% TA26	
		R308	LG0RD4701F608	RESISTOR, FIXED CARBON FILM	4.7K OHM 1/6 W 5% TA26	
		R309	LG0RD1001F608	RESISTOR, FIXED CARBON FILM	1K OHM 1/6 W 5% TA26	
		R310	LG0RD4701F608	RESISTOR, FIXED CARBON FILM	4.7K OHM 1/6 W 5% TA26	
		R311	LG0RD1001F608	RESISTOR, FIXED CARBON FILM	1K OHM 1/6 W 5% TA26	
		R312	LG0RD6802F608	RESISTOR, FIXED CARBON FILM	68K OHM 1/6 W 5% TA26	
		R313	LG0RD0221F608	RESISTOR, FIXED CARBON FILM	2.2 OHM 1/6 W 5% TA26	
		R314	LG0RD1001F608	RESISTOR, FIXED CARBON FILM	1K OHM 1/6 W 5% TA26	



VHR-M263EV

S	AL	LOCA. NO.	PART NO.	DESCRIPTION	SPECIFICATION	REMARKS
		R315	LG0RD0472F608	RESISTOR, FIXED CARBON FILM	47 OHM 1/6 W 5% TA26	
		R316	LG0RD1000F608	RESISTOR, FIXED CARBON FILM	100 OHM 1/6 W 5% TA26	
		R317	LG0RD5601F608	RESISTOR, FIXED CARBON FILM	5.6K OHM 1/6 W 5% TA26	
		R318	LG0RD3901F608	RESISTOR, FIXED CARBON FILM	3.9K OHM 1/6 W 5% TA26	
		R319	LG0RD5600F608	RESISTOR, FIXED CARBON FILM	560 OHM 1/6 W 5% TA26	
		R320	LG0RD1500F608	RESISTOR, FIXED CARBON FILM	150 OHM 1/6 W 5% TA26	
		R321	LG0RD1201F608	RESISTOR, FIXED CARBON FILM	1.2K OHM 1/6 W 5% TA26	
		R322	LG0RD1001F608	RESISTOR, FIXED CARBON FILM	1K OHM 1/6 W 5% TA26	
		R324	LG0RD3303F608	RESISTOR, FIXED CARBON FILM	330K OHM 1/6 W 5% TA26	
		R325	LG0RD4700F608	RESISTOR, FIXED CARBON FILM	470 OHM 1/6 W 5% TA26	
		R326	LG0RD1202F608	RESISTOR, FIXED CARBON FILM	12K OHM 1/6 W 5% TA26	
		R327	LG0RD5601F608	RESISTOR, FIXED CARBON FILM	5.6K OHM 1/6 W 5% TA26	
		R328	LG0RD2700F608	RESISTOR, FIXED CARBON FILM	270 OHM 1/6 W 5% TA26	
		R329	LG0RD1202F608	RESISTOR, FIXED CARBON FILM	12K OHM 1/6 W 5% TA26	
		R330	LG0RD1002F608	RESISTOR, FIXED CARBON FILM	10K OHM 1/6 W 5% TA26	
		R331	LG0RD4701F608	RESISTOR, FIXED CARBON FILM	4.7K OHM 1/6 W 5% TA26	
		R334	LG0RD2701F608	RESISTOR, FIXED CARBON FILM	2.7K OHM 1/6 W 5% TA26	
		R335	LG0RD6801F608	RESISTOR, FIXED CARBON FILM	6.8K OHM 1/6 W 5% TA26	
		R336	LG0RD1003F608	RESISTOR, FIXED CARBON FILM	100K OHM 1/6 W 5% TA26	
		R337	LG0RD2201F608	RESISTOR, FIXED CARBON FILM	2.2K OHM 1/6 W 5% TA26	
		R338	LG0RD2700F608	RESISTOR, FIXED CARBON FILM	270 OHM 1/6 W 5% TA26	
		R339	LG0RD5600F608	RESISTOR, FIXED CARBON FILM	560 OHM 1/6 W 5% TA26	
		R340	LG0RD1802F608	RESISTOR, FIXED CARBON FILM	18K OHM 1/6 W 5% TA26	
		R342	LG0RD5600F608	RESISTOR, FIXED CARBON FILM	560 OHM 1/6 W 5% TA26	
		R344	LG0RD4700F608	RESISTOR, FIXED CARBON FILM	470 OHM 1/6 W 5% TA26	
		R345	LG0RD4700F608	RESISTOR, FIXED CARBON FILM	470 OHM 1/6 W 5% TA26	
		R346	LG0RD1000F608	RESISTOR, FIXED CARBON FILM	100 OHM 1/6 W 5% TA26	
		R349	LG0RD1801F608	RESISTOR, FIXED CARBON FILM	1.8K OHM 1/6 W 5% TA26	
		R350	LG0RD1002F608	RESISTOR, FIXED CARBON FILM	10K OHM 1/6 W 5% TA26	
		R351	LG0RD8203F608	RESISTOR, FIXED CARBON FILM	820K OHM 1/6 W 0.05 TA26	
		R3A1	LG0RD1002F608	RESISTOR, FIXED CARBON FILM	10K OHM 1/6 W 5% TA26	
		R501	LG0RD1000F608	RESISTOR, FIXED CARBON FILM	100 OHM 1/6 W 5% TA26	
		R502	LG0RD1000F608	RESISTOR, FIXED CARBON FILM	100 OHM 1/6 W 5% TA26	
		R503	LG0RD4701F608	RESISTOR, FIXED CARBON FILM	4.7K OHM 1/6 W 5% TA26	
		R504	LG0RD1001F608	RESISTOR, FIXED CARBON FILM	1K OHM 1/6 W 5% TA26	
		R505	LG0RD1001F608	RESISTOR, FIXED CARBON FILM	1K OHM 1/6 W 5% TA26	
		R506	LG0RD1002F608	RESISTOR, FIXED CARBON FILM	10K OHM 1/6 W 5% TA26	
		R507	LG0RD1002F608	RESISTOR, FIXED CARBON FILM	10K OHM 1/6 W 5% TA26	
		R508	LG0RD2201F608	RESISTOR, FIXED CARBON FILM	2.2K OHM 1/6 W 5% TA26	
		R509	LG0RD2201F608	RESISTOR, FIXED CARBON FILM	2.2K OHM 1/6 W 5% TA26	
		R510	LG0RD2201F608	RESISTOR, FIXED CARBON FILM	2.2K OHM 1/6 W 5% TA26	
		R511	LG0RD1001F608	RESISTOR, FIXED CARBON FILM	1K OHM 1/6 W 5% TA26	
		R512	LG0RD1001F608	RESISTOR, FIXED CARBON FILM	1K OHM 1/6 W 5% TA26	
		R513	LG0RD1001F608	RESISTOR, FIXED CARBON FILM	1K OHM 1/6 W 5% TA26	
		R514	LG0RD1203F608	RESISTOR, FIXED CARBON FILM	120K OHM 1/6 W 5% TA26	
		R515	LG0RD2700F608	RESISTOR, FIXED CARBON FILM	270 OHM 1/6 W 5% TA26	
		R516	LG0RD4703F608	RESISTOR, FIXED CARBON FILM	470K OHM 1/6 W 5% TA26	
		R517	LG0RD4700F608	RESISTOR, FIXED CARBON FILM	470 OHM 1/6 W 5% TA26	
		R518	LG0RD1001F608	RESISTOR, FIXED CARBON FILM	1K OHM 1/6 W 5% TA26	
		R520	LG0RD3901F608	RESISTOR, FIXED CARBON FILM	3.9K OHM 1/6 W 5% TA26	
		R521	LG0RD4701F608	RESISTOR, FIXED CARBON FILM	4.7K OHM 1/6 W 5% TA26	
		R522	LG0RD1001F608	RESISTOR, FIXED CARBON FILM	1K OHM 1/6 W 5% TA26	
		R523	LG0RD1002F608	RESISTOR, FIXED CARBON FILM	10K OHM 1/6 W 5% TA26	
		R524	LG0RD0222F608	RESISTOR, FIXED CARBON FILM	22 OHM 1/6 W 5% TA26	
		R525	LG0RD5601F608	RESISTOR, FIXED CARBON FILM	5.6K OHM 1/6 W 5% TA26	
		R526	LG0RD5601F608	RESISTOR, FIXED CARBON FILM	5.6K OHM 1/6 W 5% TA26	
		R527	LG0RD1002F608	RESISTOR, FIXED CARBON FILM	10K OHM 1/6 W 5% TA26	
		R528	LG0RD4701F608	RESISTOR, FIXED CARBON FILM	4.7K OHM 1/6 W 5% TA26	
		R529	LG0RD1002F608	RESISTOR, FIXED CARBON FILM	10K OHM 1/6 W 5% TA26	


VHR-M263EV

S	AL	LOCA. NO.	PART NO.	DESCRIPTION	SPECIFICATION	REMARKS
		R530	LG0RD4701F608	RESISTOR, FIXED CARBON FILM	4.7K OHM 1/6 W 5% TA26	
		R531	LG0RD1002F608	RESISTOR, FIXED CARBON FILM	10K OHM 1/6 W 5% TA26	
		R535	LG0RD4703F608	RESISTOR, FIXED CARBON FILM	470K OHM 1/6 W 5% TA26	
		R542	LG0RD2201F608	RESISTOR, FIXED CARBON FILM	2.2K OHM 1/6 W 5% TA26	
		R543	LG0RD1000F608	RESISTOR, FIXED CARBON FILM	100 OHM 1/6 W 5% TA26	
		R544	LG0RD4701F608	RESISTOR, FIXED CARBON FILM	4.7K OHM 1/6 W 5% TA26	
		R546	LG0RD5601F608	RESISTOR, FIXED CARBON FILM	5.6K OHM 1/6 W 5% TA26	
		R547	LG0RD1202F608	RESISTOR, FIXED CARBON FILM	12K OHM 1/6 W 5% TA26	
		R548	LG0RD1003F608	RESISTOR, FIXED CARBON FILM	100K OHM 1/6 W 5% TA26	
		R550	LG0RD2200F608	RESISTOR, FIXED CARBON FILM	220 OHM 1/6 W 5% TA26	
		R553	LG0RD2200F608	RESISTOR, FIXED CARBON FILM	220 OHM 1/6 W 5% TA26	
		R555	LG0RD2200F608	RESISTOR, FIXED CARBON FILM	220 OHM 1/6 W 5% TA26	
		R556	LG0RD2202F608	RESISTOR, FIXED CARBON FILM	22K OHM 1/6 W 5% TA26	
		R557	LG0RD2702F608	RESISTOR, FIXED CARBON FILM	27K OHM 1/6 W 5% TA26	
		R558	LG0RD2202F608	RESISTOR, FIXED CARBON FILM	22K OHM 1/6 W 5% TA26	
		R559	LG0RD4701F608	RESISTOR, FIXED CARBON FILM	4.7K OHM 1/6 W 5% TA26	
		R560	LG0RD4701F608	RESISTOR, FIXED CARBON FILM	4.7K OHM 1/6 W 5% TA26	
		R561	LG0RD5600F608	RESISTOR, FIXED CARBON FILM	560 OHM 1/6 W 5% TA26	
		R562	LG0RD5600F608	RESISTOR, FIXED CARBON FILM	560 OHM 1/6 W 5% TA26	
		R563	LG0RD5601F608	RESISTOR, FIXED CARBON FILM	5.6K OHM 1/6 W 5% TA26	
		R564	LG0RD2702F608	RESISTOR, FIXED CARBON FILM	27K OHM 1/6 W 5% TA26	
		R566	LG0RD4701F608	RESISTOR, FIXED CARBON FILM	4.7K OHM 1/6 W 5% TA26	
		R567	LG0RD1002F608	RESISTOR, FIXED CARBON FILM	10K OHM 1/6 W 5% TA26	
		R568	LG0RD6802F608	RESISTOR, FIXED CARBON FILM	68K OHM 1/6 W 5% TA26	
		R569	LG0RD1004F608	RESISTOR, FIXED CARBON FILM	1M OHM 1/6 W 5% TA26	
		R570	LG0RD4701F608	RESISTOR, FIXED CARBON FILM	4.7K OHM 1/6 W 5% TA26	
		R575	LG0RD4701F608	RESISTOR, FIXED CARBON FILM	4.7K OHM 1/6 W 5% TA26	
		R576	LG0RD4701F608	RESISTOR, FIXED CARBON FILM	4.7K OHM 1/6 W 5% TA26	
		R577	LG0RD4701F608	RESISTOR, FIXED CARBON FILM	4.7K OHM 1/6 W 5% TA26	
		R578	LG0RD4701F608	RESISTOR, FIXED CARBON FILM	4.7K OHM 1/6 W 5% TA26	
		R579	LG0RD5602F608	RESISTOR, FIXED CARBON FILM	56K OHM 1/6 W 5% TA26	
		R582	LG0RD1000F608	RESISTOR, FIXED CARBON FILM	100 OHM 1/6 W 5% TA26	
		R583	LG0RD1002F608	RESISTOR, FIXED CARBON FILM	10K OHM 1/6 W 5% TA26	
		R589	LG0RD1004F608	RESISTOR, FIXED CARBON FILM	1M OHM 1/6 W 5% TA26	
		R591	LG0RD1003F608	RESISTOR, FIXED CARBON FILM	100K OHM 1/6 W 5% TA26	
		R5A2	LG0RD1002F608	RESISTOR, FIXED CARBON FILM	10K OHM 1/6 W 5% TA26	
		R5A3	LG0RD1002F608	RESISTOR, FIXED CARBON FILM	10K OHM 1/6 W 5% TA26	
		R5A5	LG0RD4703F608	RESISTOR, FIXED CARBON FILM	470K OHM 1/6 W 5% TA26	
		R5B3	LG0RD1001F608	RESISTOR, FIXED CARBON FILM	1K OHM 1/6 W 5% TA26	
		R5B4	LG0RD1001F608	RESISTOR, FIXED CARBON FILM	1K OHM 1/6 W 5% TA26	
		R5B5	LG0RD1000F608	RESISTOR, FIXED CARBON FILM	100 OHM 1/6 W 5% TA26	
		R5C1	LG0RD1001F608	RESISTOR, FIXED CARBON FILM	1K OHM 1/6 W 5% TA26	
		R5C5	LG0RD1001F608	RESISTOR, FIXED CARBON FILM	1K OHM 1/6 W 5% TA26	
		R5C6	LG0RD1001F608	RESISTOR, FIXED CARBON FILM	1K OHM 1/6 W 5% TA26	
		R5C7	LG0RD1001F608	RESISTOR, FIXED CARBON FILM	1K OHM 1/6 W 5% TA26	
		R5C9	LG0RD1002F608	RESISTOR, FIXED CARBON FILM	10K OHM 1/6 W 5% TA26	
		R5G1	LG0RD4702F608	RESISTOR, FIXED CARBON FILM	47K OHM 1/6 W 5% TA26	
		R5G2	LG0RD1000F608	RESISTOR, FIXED CARBON FILM	100 OHM 1/6 W 5% TA26	
		R5G3	LG0RD1000F608	RESISTOR, FIXED CARBON FILM	100 OHM 1/6 W 5% TA26	
		R5G4	LG0RD1000F608	RESISTOR, FIXED CARBON FILM	100 OHM 1/6 W 5% TA26	
		R5P2	LG0RD1002F608	RESISTOR, FIXED CARBON FILM	10K OHM 1/6 W 5% TA26	
		R5P3	LG0RD1002F608	RESISTOR, FIXED CARBON FILM	10K OHM 1/6 W 5% TA26	
		R5R7	LG0RD3300F608	RESISTOR, FIXED CARBON FILM	330 OHM 1/6 W 5% TA26	
		R5R8	LG0RD1001F608	RESISTOR, FIXED CARBON FILM	1K OHM 1/6 W 5% TA26	
		R5S1	LG0RD5601F608	RESISTOR, FIXED CARBON FILM	5.6K OHM 1/6 W 5% TA26	
		R5T1	LG0RD1801F608	RESISTOR, FIXED CARBON FILM	1.8K OHM 1/6 W 5% TA26	
		R5T10	LG0RD1501F608	RESISTOR, FIXED CARBON FILM	1.5K OHM 1/6 W 5% TA26	
		R5T11	LG0RD1001F608	RESISTOR, FIXED CARBON FILM	1K OHM 1/6 W 5% TA26	
		R5T2	LG0RD1501F608	RESISTOR, FIXED CARBON FILM	1.5K OHM 1/6 W 5% TA26	

VHR-M263EV

S	AL	LOCA. NO.	PART NO.	DESCRIPTION	SPECIFICATION	REMARKS
		R5T3	LG0RD2201F608	RESISTOR, FIXED CARBON FILM	2.2K OHM 1/6 W 5% TA26	
		R5T4	LG0RD2701F608	RESISTOR, FIXED CARBON FILM	2.7K OHM 1/6 W 5% TA26	
		R5T5	LG0RD3901F608	RESISTOR, FIXED CARBON FILM	3.9K OHM 1/6 W 5% TA26	
		R5T9	LG0RD1801F608	RESISTOR, FIXED CARBON FILM	1.8K OHM 1/6 W 5% TA26	
		R706	LG0RD2200F608	RESISTOR, FIXED CARBON FILM	220 OHM 1/6 W 5% TA26	
		R707	LG0RD2200F608	RESISTOR, FIXED CARBON FILM	220 OHM 1/6 W 5% TA26	
		R709	LG0RD1001F608	RESISTOR, FIXED CARBON FILM	1K OHM 1/6 W 5% TA26	
		R7M1	LG0RD1001F608	RESISTOR, FIXED CARBON FILM	1K OHM 1/6 W 5% TA26	
		R7M2	LG0RD2200F608	RESISTOR, FIXED CARBON FILM	220 OHM 1/6 W 5% TA26	
		R7M3	LG0RD1001F608	RESISTOR, FIXED CARBON FILM	1K OHM 1/6 W 5% TA26	
		R7M5	LG0RD2200F608	RESISTOR, FIXED CARBON FILM	220 OHM 1/6 W 5% TA26	
		R901	LG0RD0752F608	RESISTOR, FIXED CARBON FILM	75 OHM 1/6 W 5.00% TA26	
		R902	LG0RD0752F608	RESISTOR, FIXED CARBON FILM	75 OHM 1/6 W 5.00% TA26	
		R903	LG0RD3901F608	RESISTOR, FIXED CARBON FILM	3.9K OHM 1/6 W 5% TA26	
		R904	LG0RD4702F608	RESISTOR, FIXED CARBON FILM	47K OHM 1/6 W 5% TA26	
		R905	LG0RD5600F608	RESISTOR, FIXED CARBON FILM	560 OHM 1/6 W 5% TA26	
		R906	LG0RD5600F608	RESISTOR, FIXED CARBON FILM	560 OHM 1/6 W 5% TA26	
		R943	LG0RD1501F608	RESISTOR, FIXED CARBON FILM	1.5K OHM 1/6 W 5% TA26	
		R964	LG0RD8200F608	RESISTOR, FIXED CARBON FILM	820 OHM 1/6 W 5% TA26	
		R965	LG0RD1001F608	RESISTOR, FIXED CARBON FILM	1K OHM 1/6 W 5% TA26	
		R9M1	LG0RD4702F608	RESISTOR, FIXED CARBON FILM	47K OHM 1/6 W 5% TA26	
		R9M2	LG0RD3901F608	RESISTOR, FIXED CARBON FILM	3.9K OHM 1/6 W 5% TA26	
		R9M3	LG0RD4702F608	RESISTOR, FIXED CARBON FILM	47K OHM 1/6 W 5% TA26	
		R9M4	LG0RD3901F608	RESISTOR, FIXED CARBON FILM	3.9K OHM 1/6 W 5% TA26	
		RC501	LG6712R1938GB	REMOTE CONTROLLER RECEIVER	TSOP2238WE1 VISHAY 37.9KHZ 19M	
		ES501	LG4931R-0050C	HOLDER ASSEMBLY	END (DI)	
		ES502	LG4931R-0050C	HOLDER ASSEMBLY	END (DI)	
	⚠	IC102	LG657-062B	SENSOR	PC123Y PHOTO-COUPLER(SARPH)	ALTERNATE
	⚠	IC102	LG6500RDB010A	SENSOR	PC123YN2 SHARP PHOTOCOUPLER	ALTERNATE
	⚠	IC102	LG657-063A	SENSOR	LTV-817B, PHOTO COUPLER(LITEON)	
		RS501	LG6500RAB003A	SENSOR	SG-260 KODENSHI D33 REEL SENSO	
		RS501	LG6500RAB007A	SENSOR	GP1S566V SHARP REEL SENSOR OF	ALTERNATE
		RS502	LG6500RAB003A	SENSOR	SG-260 KODENSHI D33 REEL SENSO	
		RS502	LG6500RAB007A	SENSOR	GP1S566V SHARP REEL SENSOR OF	ALTERNATE
		CS501	LG6600M000002	SWITCH, PUSH	MPU11810MLB0 MIC DC 5V 1MA D-3	
		MS501	LG6600JB8005B	SWITCH, MODE	NON 5V 1MA VERTICAL -G	
		MS501	LG6600JB8005C	SWITCH, MODE	MMS00721ZMB0 MIC 5VDC 1MA D-35	ALTERNATE
		SW5T1	LG556-213C	SWITCH, DETECTOR	THVV951BAA POSTECH DC 12 V 5-0	
		SW5T10	LG556-213C	SWITCH, DETECTOR	THVV951BAA POSTECH DC 12 V 5-0	
		SW5T11	LG556-213C	SWITCH, DETECTOR	THVV951BAA POSTECH DC 12 V 5-0	
		SW5T12	LG556-213C	SWITCH, DETECTOR	THVV951BAA POSTECH DC 12 V 5-0	
		SW5T13	LG556-213C	SWITCH, DETECTOR	THVV951BAA POSTECH DC 12 V 5-0	
		SW5T4	LG556-213C	SWITCH, DETECTOR	THVV951BAA POSTECH DC 12 V 5-0	
		SW5T5	LG556-213C	SWITCH, DETECTOR	THVV951BAA POSTECH DC 12 V 5-0	
		SW5T6	LG556-213C	SWITCH, DETECTOR	THVV951BAA POSTECH DC 12 V 5-0	
		SW5T7	LG556-213C	SWITCH, DETECTOR	THVV951BAA POSTECH DC 12 V 5-0	
	⚠	T101	LG642-015G	TRANSFORMER, SMPS[COIL]	SJE-015G/SHT-015G SJ/SH/CS/LSE	
		TU701	LG6700PFPL06B	TUNER	TADC-G401D(BG, LGIT) LG INOTEK	
		TU701	LG6700PFPG04B	TUNER	TCMB0600PD15C- B/G SS PAL FS	ALTERNATE
		X301	LG6202R2443AE	RESONATOR, CRYSTAL	HC49U SSANG TAE 4433709HZ 1	ALTERNATE
		X301	LG6202R2443AC	RESONATOR, CRYSTAL	HC49U BUBANG 4-433709MHZ 15	
		X301	LG6202R2443AG	RESONATOR, CRYSTAL	HC49U SSANGTAE 4-433709MHZ	ALTERNATE
		X501	LG6202R31001F	RESONATOR, CRYSTAL	HC-49S KEUMSEOK 10-0000MHZ 30P	ALTERNATE
		X501	LG6212AA2100C	RESONATOR, CRYSTAL	HC-49S BUBANG 10MHZ +/- 30 PPM	
		X502	LG529-001K	RESONATOR, CRYSTAL	- SEIKO 32-768KHZ --	ALTERNATE
		X502	LG6202R-DA01A	RESONATOR, CRYSTAL	CFS-308 CITIZEN 32-768KHZ	
		ZD151	LG0DZ130009AB	DIODE, ZENERS	MTZ13C TP ROHM-K	
		ZD503	LG0DZ620009AB	DIODE, ZENERS	MTZ6.2C TP ROHM - - - -	ALTERNATE
		ZD503	LG0DZ620009AM	DIODE, ZENERS	UZ-6.2BSC 26MM PYUNG CHANG TP	




NOTES)  Warning  
Parts that are shaded are critical  
With respect to risk of fire or  
electrical shock.

# SECTION 5 REPLACEMENT PARTS LIST

SANYO MODEL : VHR-H773EV

NSP : Not available as service parts.

RUN DATE :13-FEB-03

S	AL	LOCA. NO.	PART NO.	DESCRIPTION	SPECIFICATION	REMARKS
<b>*** INDIVIDUAL PARTS ***</b>						
		250	LG3110R-0223G	CASE	VCR - TOP(0128 A288G SIDE SCRE	
		260	LG3210R-0023B	FRAME	MAIN (VII-PJT, 60HR)	NSP
		300	LG6410RCHP02B	POWER CORD	HIT-102/H0VHH2-F(WITH CORE) HI	
		330	LG3550R-0210A	COVER	BOTTOM(LARGE)	
		452	LG353-051A	SCREW	SPECIAL	
		457	LG353-051E	SCREW	SPECIAL (3X12)	
		462	LG353-136D	SCREW,DRAWING	+ 2 D4.0 L12.5 MSWR3/FN	
<b>*** PACKING ACCESSORY ***</b>						
		801	LG3835RP0090T	INSTRUCTION ASSEMBLY	VCR FCY909NP.NA3GSS	
		802	LG3890R-H537H	BOX(CARTON)	FCY909NP NA3GSS SW3-A 0.858 3	
		803	LG3920R-0067A	PACKING	AF999NS 0.02 65 EPS 12 1190 23	
		804	LG292-053A	BAG	SOFT(VCP)	NSP
		808	LG534-002C	BATTERY,MANGANES	AAM UM-3 SEOTONG 1-5 V - LOL 1	NSP
		810	LG6851RP0003A	CABLE ASSY,RF	CABLE ASSY,RF/SCART/RCA USING	
<b>*** REMOTE CONTROLLER ***</b>						
		900	LG6711R1P043E	REMOTE CONTROLLER ASSEMBLY	N7 FCY909NP NA3GSS SANYO W/SHO	
		910	LG3550R-0454A	COVER	BATTERY(N7 HIPS 60HR 89991)	
<b>*** PANEL ASSEMBLY , FRONT ***</b>						
		A43	LG3721R-F311H	PANEL ASSEMBLY,FRONT	VCR FCY909NP NA3GSS FRONT(VHR-	
		280	LG3720R-F701F	PANEL,VIDEO	VCR FCY909NP MOLD FRONT(B589G)	NSP
		283	LG3580R-V071B	DOOR,CASE	VCR FCY909NP MOLD CST(H773EV)	
		284	LG442-681A	SPRING	DOOR	
<b>*** DECK ASSEMBLY , VIDEO ***</b>						
		A00	LG6721RF0750B	DECK ASSEMBLY,VIDEO	D35(N) DI (4HF, PAL, AHC(O), B	NSP
		A01	LG6723R-0403C	DRUM(CIRC) ASSEMBLY	D35-6CH PAL (8P6C)	
		A03	LG4261R-0025A	ARM ASSY	CLEANER	
		A04	LG4811RF0038A	BRACKET ASSEMBLY	L/D(S)	
		A04	LG4811RF0038B	BRACKET ASSEMBLY	L/D(M) - DI	ALTERNATE
		A11	LG4471R-0005A	GEAR ASSY	P3	
		A12	LG4471R-0004A	GEAR ASSY	P2	
		A21	LG4931R-0047A	HOLDER ASSY	CST	
		A22	LG4471R-0006A	GEAR ASSY	RACK F/L	
		A23	LG4261R-0023A	ARM ASSY	F/L	
		A24	LG4510R-0046A	LEVER	ASSY SWITCH	
		001	LG6723R-0306C	DRUM(CIRC) ASSEMBLY	SUB D35-6CH (8P6C)	NSP
		002	LG4680R-B005A	MOTOR(MECH)	DRUM I2OAL05 SEJIN-SANKYO ICLE	
		002	LG4680R-B003B	MOTOR(MECH)	DRUM VH4301 KUMAGAYA DRUM MOTO	ALTERNATE
		002	LG4680R-B007A	MOTOR(MECH)	DRUM MDVC-035AA LGIT FOR D-35,	ALTERNATE
		002A	LG5202R00002C	BRUSH,CARBON	ASSY D33 (TIP+2 SPRING) 1.4,	
		003	LG4930R-0284A	HOLDER	FPC(6CH)	
		004	LG5006R-0034A	CAP	FPC	
		006	LG4580R-0004A	ROLLER	CLEANER	NSP
		007	LG4260R-0039A	ARM	CLEANER	NSP
		008	LG6850R-HG18Z	CABLE,FLAT	P=1.25 FFC UL2896(0.05X0.8) 7	
		009	LG4260R-0038A	ARM	T/UP(D35)	
		010	LG4810R-0125A	BRACKET	CHASSIS	

VHR-H773EV

S	AL	LOCA. NO.	PART NO.	DESCRIPTION	SPECIFICATION	REMARKS
		011	LG4261R-0022A	ARM ASSY	TENSION(D35)	
		012	LG3041R-0037A	BASE ASSY	P2	
		013	LG3041R-0038A	BASE ASSY	P3	
		014	LG3041R-0039A	BASE ASSY	P4	
		015	LG5870R-0005A	OPENER	LID(D35)	
		016	LG3041R-0036A	BASE ASSEMBLY	A/C HEAD (ALPS)	
		017	LG4408R-0003A	REEL	S	
		018	LG4970R-0140A	SPRING	COIL RS D35	
		019	LG4421R-0008A	BRAKE ASSEMBLY	RS	
		020	LG4970R-0128A	SPRING	COIL D35 (TB)	
		021	LG4421R-0006A	BRAKE ASSY	T	
		022	LG6520D00001A	HEAD(CIRC)	D35 FE TDK FE HEAD	ALTERNATE
		022	LG6520D00002A	HEAD(CIRC)	D35 FE ST FE HEAD	
		023	LG3040R-0057A	BASE	LOADING	
		024	LG4261R-0029A	ARM ASSEMBLY	IDLER (N)	
		025	LG4810R-0118A	BRACKET	L/D(S)	NSP
		026	LG4680R-D002A	MOTOR(MECH)	LOADING MDB2B66 SANKYO D35 ASP	NSP
		027	LG4470R-0093A	GEAR	WHEEL	NSP
		028	LG4408R-0004A	REEL	T	
		029	LG4261R-0019A	ARM ASSEMBLY	DECK/MECHA PINCH	
		029	LG4261R-0019B	ARM ASSEMBLY	PINCH	ALTERNATE
		030	LG4510R-0043A	LEVER	T/UP	
		031	LG4970R-0123A	SPRING	COIL TENSION(D35)	
		032	LG3141R-0040A	CHASSIS ASSY	D35	NSP
		051	LG4400R-0005A	BELT	CAPSTAN	
		052	LG4680R-A006A	MOTOR(MECH)	CAPSTAN MCV-035AA LGIT BLDC 3	ALTERNATE
		052	LG4680R-A007A	MOTOR(MECH)	CAPSTAN F2QVB06 SANKYO D35 ASR	
		052	LG4680R-A008A	MOTOR(MECH)	CAPSTAN SAMSUNG DMVCMC09L D35	ALTERNATE
		052A	LG4980R-0023A	SUPPORTER	CAPSTAN(D35)	
		054	LG4470R-0100A	GEAR	RACK F/L	
		054A	LG4970R-0124B	SPRING	COIL D35 (RACK F/L)	
		055	LG4470R-0097A	GEAR	DRIVE(D35)	
		056	LG4470R-0096A	GEAR	CAM(D35)	
		058	LG4421R-0007A	BRAKE ASSY	CAPSTAN	
		060	LG4510R-0040A	LEVER	F/R(D35)	
		061	LG4265R-0006A	CLUTCH ASSEMBLY	D35 (N)	
		064	LG4470R-0098A	GEAR	SECTOR(D35)	
		065	LG4261R-0021A	ARM ASSY	P3	NSP
		066	LG4970R-0122A	SPRING	COIL D35	NSP
		067	LG4470R-0095A	GEAR	P3	NSP
		068	LG4470R-0094A	GEAR	P2	NSP
		069	LG4970R-0122A	SPRING	COIL D35	NSP
		070	LG4261R-0020A	ARM ASSY	P2	NSP
		076	LG4510R-0047A	LEVER	SPRING	
		077	LG3300R-M116A	PLATE	SLIDER	
		078	LG4510R-0041A	LEVER	TENSION	
		079	LG3040R-0056A	BASE	TENSION(D35)	
		100	LG3301R-M022A	PLATE ASSEMBLY	TOP	
		100A	LG3300R-0184A	PLATE	GND	
		100B	LG3300R-M118A	PLATE	TOP(D35)	
		102	LG4970R-0130A	SPRING	COIL D35 (STOPPER)	
		103	LG4930R-0276A	HOLDER	SIDE(L)	NSP
		105	LG4930R-0274A	HOLDER	CST	NSP
		106	LG4930R-0275A	HOLDER	SIDE(R)	NSP
		107	LG4510R-0044A	LEVER	STOPPER	NSP
		109	LG5870R-0004A	OPENER	DOOR	
		110	LG4260R-0035A	ARM	F/L(L)	NSP
		112	LG3070R-0002A	BODY	F/L	NSP
		113	LG4970R-0127A	SPRING	COIL D35 (F/L(R))	NSP

VHR-H773EV

S	AL	LOCA. NO.	PART NO.	DESCRIPTION	SPECIFICATION	REMARKS
		114	LG4260R-0036A	ARM	F/L(R)	NSP
		115	LG4510R-0042A	LEVER	SWITCH	
		116	LG4970R-0138A	SPRING	COIL D35 SWITCH	
		117	LG3300R-M137A	PLATE	SPRING CST	
		401	LG1MEC0261518	SCREW MACHINE,PAN HEAD SPR W	#NAME?	
		402	LG1MPC0261418	SCREW MACHINE,PAN HEAD	D 2.6 L 4.0 MSWR3/FZY	
		405	LG1SZZR-0031B	SCREW,DRAWING	+ 1 D2.6 L5.8 SWRCH16A/FZY TAP	
		406	LG1MEC0302018	PAN HEAD MACHINE SCREW S/W +	D 3.0 L 6.0 MSWR3/FZY	
		409	LG1SZZR-0032B	SCREW,DRAWING	+ 1 D2.6 L5.0 SWRCH18A/FZY TAP	
		410	LG1APF0262218	SCREW TAP TITE(B),PAN HEAD	#NAME?	
		517	LG1WZZR-0004D	WASHER	STOPPER	
		518	LG1WZZR-0004A	WASHER	STOPPER	
<b>*** BOARD ASSEMBLY , MAIN PAL SCART ***</b>						
		A46	LG3501R-7805F	BOARD ASSEMBLY	VCR SANYO PAL SCART	
		275	LG4930R-0102A	HOLDER	LED	
		320	LG3720R-D020C	PANEL	VCR - DISTRIBUTOR (PAL-2SCART	
		323	LG3111R-0089C	CASE ASSEMBLY	VCR - PRE-AMP (02-PAL)	
	⚠	C101	LG624-088K	CAPACITOR	ECQU2A104ML 0.1UF/275VAC 7.5 T	ALTERNATE
	⚠	C101	LG624-088L	CAPACITOR,DRAWING	435D SUNIL ELECTRONICS 0.1UF/2	
	⚠	C102	LG624-088K	CAPACITOR	ECQU2A104ML 0.1UF/275VAC 7.5 T	ALTERNATE
	⚠	C102	LG624-088L	CAPACITOR,DRAWING	435D SUNIL ELECTRONICS 0.1UF/2	
		C103	LG0CE476CU611	CAPACITOR,AL.ELECTROLYTIC	47UF SHL,SD 400V M FL BK7.5	
		C105	LG0CQ1031Y519	CAPACITOR,POLYESTER	0.01UF D 630V K PE NI TP	
		C106	LG624-087B	CAPACITOR	HIGH-VOL 100P/1KV SMPS SAMHWA	
		C109	LG0CE1064K638	CAPACITOR,FIXED ELECTROLYTIC	10M SRA 50V M FM5 TP(5)	
	⚠	C112	LG0CG3320U630	CAPACITOR,SEMI CERAMIC	3300 PF 400V M E R(NK,AD,SD)	
	⚠	C112	LG0CG3320U632	CAPACITOR,FIXED CERAMIC(TEMP.C	3300PF D 400V 20% R Y ( N 800	ALTERNATE
	⚠	C113	LG0CG3310U510	CAPACITOR,FIXED CERAMIC(TEMP.C	330PF D 400V 10% B(Y5P) R	
		C114	LG0CQ4732K409	CAPACITOR,FIXED FILM	0.047UF S 50V J PE TP	
		C115	LG624-085D	CAPACITOR	CE 47UF/50V KME (SMPS)	
		C116	LG0CE108BF630	CAPACITOR,FIXED ELECTROLYTIC	1000UF KME 16V M FM5 BULK	
		C117	LG624-082H	CAPACITOR	CE 1000UF/10V SHL(10*12.5)T/P	
		C120	LG0CE477BH630	CAPACITOR,AL.ELECTROLYTIC	470UF KME TYPE 25V M FM5 BULK	
		C121	LG0CE227CH618	CAPACITOR,FIXED ELECTROLYTIC	220UF SHL,SD 25V 20% FL TP 5	
		C127	LG0CN223AK948	CAPACITOR,TUBULAR(HIGH DIELEC)	0.022UF 50V Z F TA26 S	
		C135	LG0CN4710K518	CAPACITOR TUBULA(HIGH DIELE)	470P 50V K B TA26	
		C153	LG0CE1064F638	CAPACITOR,ELECTROLYTIC	10M SRA 16V M FM5 TP(5)	
		C190	LG0CE1064F638	CAPACITOR,ELECTROLYTIC	10M SRA 16V M FM5 TP(5)	
		C301	LG0CE4754K638	CAPACITOR,FIXED ELECTROLYTIC	4.7UF SRA,SS 50V 20% FM5 TP 5	
		C302	LG0CE2264F638	CAPACITOR,ELECTROLYTIC	22M SRA 16V M FM5 TP(5)	
		C303	LG0CN1220F668	CAPACITOR TUBULA(HIGH DIELE)	1200P 16V M X TA26	
		C304	LG0CE4764F638	CAPACITOR,ELECTROLYTIC	47M SRA/SS 16V M FM5 TP(5)	
		C305	LG0CN1030F678	CAPACITOR TUBULA(HIGH DIELE)	0.01M 16V M Y TA26	
		C306	LG0CN1220F668	CAPACITOR TUBULA(HIGH DIELE)	1200P 16V M X TA26	
		C307	LG0CE1054K638	CAPACITOR,ELECTROLYTIC	1.0M SRA/SS50V M FM5 TP(5)	
		C308	LG0CQ1532K409	CAPACITOR,FIXED FILM	0.015UF S 50V J PE TP	
		C309	LG0CN1210K518	CAPACITOR TUBULA(HIGH DIELE)	120P 50V K B TA26	
		C310	LG0CQ1032K409	CAPACITOR,POLYESTER(MYLAR)	0.01UF S 50V J PE TP	
		C311	LG0CE4765K618	CAPACITOR,AL.ELECTROLYTIC	47UF SR,SV 50V M FL TP 5	
		C312	LG0CN1030F678	CAPACITOR TUBULA(HIGH DIELE)	0.01M 16V M Y TA26	
		C313	LG0CQ2232L559	CAPACITOR,POLYESTER	0.022UF S 63V K PP NI TP5	
		C314	LG0CE2264F638	CAPACITOR,ELECTROLYTIC	22M SRA 16V M FM5 TP(5)	
		C315	LG0CE2253K636	CAPACITOR,FIXED ELECTROLYTIC	2.2UF SRE,SE 50V 20% FM5 BP(D)	
		C316	LG0CE1064F638	CAPACITOR,ELECTROLYTIC	10M SRA 16V M FM5 TP(5)	
		C317	LG0CN1030F678	CAPACITOR TUBULA(HIGH DIELE)	0.01M 16V M Y TA26	
		C318	LG0CE1054K638	CAPACITOR,ELECTROLYTIC	1.0M SRA/SS50V M FM5 TP(5)	
		C319	LG0CQ1032K409	CAPACITOR,POLYESTER(MYLAR)	0.01UF S 50V J PE TP	
		C320	LG0CE1054K638	CAPACITOR,ELECTROLYTIC	1.0M SRA/SS50V M FM5 TP(5)	
		C321	LG0CX6800K408	CAPACITOR TUBULA(T.C)	68P 50V J SL TA26	

VHR-H773EV

S	AL	LOCA. NO.	PART NO.	DESCRIPTION	SPECIFICATION	REMARKS
		C322	LG0CE1064F638	CAPACITOR,ELECTROLYTIC	10M SRA 16V M FM5 TP(5)	
		C323	LG0CE1064F638	CAPACITOR,ELECTROLYTIC	10M SRA 16V M FM5 TP(5)	
		C324	LG0CE4754K638	CAPACITOR,FIXED ELECTROLYTIC	4.7UF SRA,SS 50V 20% FM5 TP 5	
		C325	LG0CE1064F638	CAPACITOR,ELECTROLYTIC	10M SRA 16V M FM5 TP(5)	
		C326	LG0CN1030F678	CAPACITOR TUBULA(HIGH DIELE)	0.01M 16V M Y TA26	
		C327	LG0CE1054K638	CAPACITOR,ELECTROLYTIC	1.0M SRA/SS50V M FM5 TP(5)	
		C328	LG0CN1030F678	CAPACITOR TUBULA(HIGH DIELE)	0.01M 16V M Y TA26	
		C329	LG0CN1030F678	CAPACITOR TUBULA(HIGH DIELE)	0.01M 16V M Y TA26	
		C330	LG0CN1040K948	CAPACITOR,FIXED TUBULAR(High d	0.1UF D 50V 80%,-20% F(Y5V) TA	
		C331	LG0CE1064F638	CAPACITOR,ELECTROLYTIC	10M SRA 16V M FM5 TP(5)	
		C333	LG0CE4764F638	CAPACITOR,ELECTROLYTIC	47M SRA/SS 16V M FM5 TP(5)	
		C334	LG0CN4730K948	CAPACITOR,FIXED TUBULAR(High d	0.047UF D 50V 80%,-20% F(Y5V)	
		C335	LG0CN1030F678	CAPACITOR TUBULA(HIGH DIELE)	0.01M 16V M Y TA26	
		C336	LG0CE4764F638	CAPACITOR,ELECTROLYTIC	47M SRA/SS 16V M FM5 TP(5)	
		C337	LG0CE1054K638	CAPACITOR,ELECTROLYTIC	1.0M SRA/SS50V M FM5 TP(5)	
		C338	LG0CN4730K948	CAPACITOR,FIXED TUBULAR(High d	0.047UF D 50V 80%,-20% F(Y5V)	
		C339	LG0CE1054K638	CAPACITOR,ELECTROLYTIC	1.0M SRA/SS50V M FM5 TP(5)	
		C340	LG0CN4730K948	CAPACITOR,FIXED TUBULAR(High d	0.047UF D 50V 80%,-20% F(Y5V)	
		C341	LG0CN223AK948	CAPACITOR,TUBULAR(HIGH DIELEC)	0.022UF 50V Z F TA26 S	
		C342	LG0CN1040K948	CAPACITOR,FIXED TUBULAR(High d	0.1UF D 50V 80%,-20% F(Y5V) TA	
		C343	LG0CN4730K948	CAPACITOR,FIXED TUBULAR(High d	0.047UF D 50V 80%,-20% F(Y5V)	
		C344	LG0CN1010K518	CAPACITOR,TUBULAR(HIGH DIELEC)	100P 50V K B TA26	
		C345	LG0CN3330K518	CAPACITOR,FIXED TUBULAR(High d	0.033UF 50V K B TA26	
		C346	LG0CE4764F638	CAPACITOR,ELECTROLYTIC	47M SRA/SS 16V M FM5 TP(5)	
		C347	LG0CE1054K638	CAPACITOR,ELECTROLYTIC	1.0M SRA/SS50V M FM5 TP(5)	
		C348	LG0CE1054K638	CAPACITOR,ELECTROLYTIC	1.0M SRA/SS50V M FM5 TP(5)	
		C349	LG0CE4764F638	CAPACITOR,ELECTROLYTIC	47M SRA/SS 16V M FM5 TP(5)	
		C353	LG0CE1054K638	CAPACITOR,ELECTROLYTIC	1.0M SRA/SS50V M FM5 TP(5)	
		C355	LG0CN1040K948	CAPACITOR,FIXED TUBULAR(High d	0.1UF D 50V 80%,-20% F(Y5V) TA	
		C356	LG0CE1054K638	CAPACITOR,ELECTROLYTIC	1.0M SRA/SS50V M FM5 TP(5)	
		C357	LG0CE1054K638	CAPACITOR,ELECTROLYTIC	1.0M SRA/SS50V M FM5 TP(5)	
		C358	LG0CX6800K408	CAPACITOR TUBULA(T.C)	68P 50V J SL TA26	
		C359	LG0CE1054K638	CAPACITOR,ELECTROLYTIC	1.0M SRA/SS50V M FM5 TP(5)	
		C360	LG0CN1040K948	CAPACITOR,FIXED TUBULAR(High d	0.1UF D 50V 80%,-20% F(Y5V) TA	
		C361	LG0CN223AK948	CAPACITOR,TUBULAR(HIGH DIELEC)	0.022UF 50V Z F TA26 S	
		C362	LG0CE1064F638	CAPACITOR,ELECTROLYTIC	10M SRA 16V M FM5 TP(5)	
		C363	LG0CN1030F678	CAPACITOR TUBULA(HIGH DIELE)	0.01M 16V M Y TA26	
		C364	LG0CE4764F638	CAPACITOR,ELECTROLYTIC	47M SRA/SS 16V M FM5 TP(5)	
		C365	LG0CE1064F638	CAPACITOR,ELECTROLYTIC	10M SRA 16V M FM5 TP(5)	
		C366	LG0CN1040K948	CAPACITOR,FIXED TUBULAR(High d	0.1UF D 50V 80%,-20% F(Y5V) TA	
		C367	LG0CN1040K948	CAPACITOR,FIXED TUBULAR(High d	0.1UF D 50V 80%,-20% F(Y5V) TA	
		C368	LG0CQ8224K409	CAPACITOR,FIXED FILM	0.0082UF TE 50V 5% PE TP5	
		C369	LG0CN1010K518	CAPACITOR,TUBULAR(HIGH DIELEC)	100P 50V K B TA26	
		C370	LG0CN8200K418	CAPACITOR TUBULA(HIGH DIELE)	82P 50V J B TA26	
		C371	LG0CN8200K418	CAPACITOR TUBULA(HIGH DIELE)	82P 50V J B TA26	
		C372	LG0CN8200K418	CAPACITOR TUBULA(HIGH DIELE)	82P 50V J B TA26	
		C373	LG0CN1040K948	CAPACITOR,FIXED TUBULAR(High d	0.1UF D 50V 80%,-20% F(Y5V) TA	
		C375	LG0CN1020K518	CAPACITOR TUBULA(HIGH DIELE)	1000P 50V K B TA26	
		C500	LG624-074A	CAPACITOR,DRAWING	SUPER CAP 0.047F/5.5V T/P S/S	
		C501	LG0CN1040K948	CAPACITOR,FIXED TUBULAR(High d	0.1UF D 50V 80%,-20% F(Y5V) TA	
		C502	LG0CE4764F638	CAPACITOR,ELECTROLYTIC	47M SRA/SS 16V M FM5 TP(5)	
		C503	LG0CE2274C638	CAPACITOR,ELECTROLYTIC	220M SRA 6.3V M FM5 TP(5)	
		C504	LG0CE2274C638	CAPACITOR,ELECTROLYTIC	220M SRA 6.3V M FM5 TP(5)	
		C505	LG0CE4764F638	CAPACITOR,ELECTROLYTIC	47M SRA/SS 16V M FM5 TP(5)	
		C506	LG0CN223AK948	CAPACITOR,TUBULAR(HIGH DIELEC)	0.022UF 50V Z F TA26 S	
		C508	LG0CN1030F678	CAPACITOR TUBULA(HIGH DIELE)	0.01M 16V M Y TA26	
		C509	LG0CC2200K415	CAPACITOR,CERAMIC(TEMP COMP)	22P 50V J NP0 TS	
		C510	LG0CE2274C638	CAPACITOR,ELECTROLYTIC	220M SRA 6.3V M FM5 TP(5)	
		C511	LG0CN1040K948	CAPACITOR,FIXED TUBULAR(High d	0.1UF D 50V 80%,-20% F(Y5V) TA	



VHR-H773EV

S	AL	LOCA. NO.	PART NO.	DESCRIPTION	SPECIFICATION	REMARKS
		C512	LG0CN1020K518	CAPACITOR TUBULA(HIGH DIELE)	1000P 50V K B TA26	
		C513	LG0CN1020K518	CAPACITOR TUBULA(HIGH DIELE)	1000P 50V K B TA26	
		C514	LG0CC1200K415	CAPACITOR,FIXED CERAMIC(TEMP.C	12PF 2012 50V 5% NP0 TR	
		C515	LG0CC1500K415	CAPACITOR,CERAMIC(TEMP COMP)	15P 50V J NP0 TS	
		C516	LG0CN223AK948	CAPACITOR,TUBULAR(HIGH DIELEC)	0.022UF 50V Z F TA26 S	
		C518	LG0CN1030F678	CAPACITOR TUBULA(HIGH DIELE)	0.01M 16V M Y TA26	
		C519	LG0CN1040K948	CAPACITOR,FIXED TUBULAR(High d	0.1UF D 50V 80%,-20% F(Y5V) TA	
		C520	LG0CN1020K518	CAPACITOR TUBULA(HIGH DIELE)	1000P 50V K B TA26	
		C523	LG0CE2254K638	CAPACITOR,FIXED ELECTROLYTIC	2.2UF SRA,SS 50V 20% FM5 TP 5	
		C524	LG0CE4764F638	CAPACITOR,ELECTROLYTIC	47M SRA/SS 16V M FM5 TP(5)	
		C525	LG0CE2274C638	CAPACITOR,ELECTROLYTIC	220M SRA 6.3V M FM5 TP(5)	
		C526	LG0CE4764J638	CAPACITOR,AL.ELECTROLYTIC	47UF SRA,SS 35V M FM5 TP 5	
		C527	LG0CN2210K518	CAPACITOR TUBULA(HIGH DIELE)	220P 50V K B TA26	
		C533	LG0CN1020K518	CAPACITOR TUBULA(HIGH DIELE)	1000P 50V K B TA26	
		C534	LG0CE4754K638	CAPACITOR,FIXED ELECTROLYTIC	4.7UF SRA,SS 50V 20% FM5 TP 5	
		C535	LG0CE4754K638	CAPACITOR,FIXED ELECTROLYTIC	4.7UF SRA,SS 50V 20% FM5 TP 5	
		C543	LG0CN2220F668	CAPACITOR,TUBULAR(HIGH DIELEC)	2200P 16V M X TA26	
		C544	LG0CQ4732K409	CAPACITOR,FIXED FILM	0.047UF S 50V J PE TP	
		C545	LG0CN3330K518	CAPACITOR,FIXED TUBULAR(High d	0.033UF 50V K B TA26	
		C546	LG0CE4764J638	CAPACITOR,AL.ELECTROLYTIC	47UF SRA,SS 35V M FM5 TP 5	
		C547	LG0CN1030F678	CAPACITOR TUBULA(HIGH DIELE)	0.01M 16V M Y TA26	
		C551	LG0CQ3332K409	CAPACITOR,FIXED FILM	0.033UF S 50V J PE TP	
		C552	LG0CN1030F678	CAPACITOR TUBULA(HIGH DIELE)	0.01M 16V M Y TA26	
		C561	LG0CE2274C638	CAPACITOR,ELECTROLYTIC	220M SRA 6.3V M FM5 TP(5)	
		C564	LG0CN1020K518	CAPACITOR TUBULA(HIGH DIELE)	1000P 50V K B TA26	
		C567	LG0CN1020K518	CAPACITOR TUBULA(HIGH DIELE)	1000P 50V K B TA26	
		C570	LG0CC1500K415	CAPACITOR,CERAMIC(TEMP COMP)	15P 50V J NP0 TS	
		C571	LG0CC1500K415	CAPACITOR,CERAMIC(TEMP COMP)	15P 50V J NP0 TS	
		C575	LG0CN1020K518	CAPACITOR TUBULA(HIGH DIELE)	1000P 50V K B TA26	
		C576	LG0CC2700K415	CAPACITOR CERAMIC(TEMP COMP)	27P 50V J NP0 TP	
		C577	LG0CN223AK948	CAPACITOR,TUBULAR(HIGH DIELEC)	0.022UF 50V Z F TA26 S	
		C578	LG0CN2220F668	CAPACITOR,TUBULAR(HIGH DIELEC)	2200P 16V M X TA26	
		C581	LG0CN1030F678	CAPACITOR TUBULA(HIGH DIELE)	0.01M 16V M Y TA26	
		C582	LG0CN1030F678	CAPACITOR TUBULA(HIGH DIELE)	0.01M 16V M Y TA26	
		C583	LG0CN1040K948	CAPACITOR,FIXED TUBULAR(High d	0.1UF D 50V 80%,-20% F(Y5V) TA	
		C589	LG0CQ2232K409	CAPACITOR,FIXED FILM	0.022UF S 50V J PE TP	
		C596	LG0CN1040K948	CAPACITOR,FIXED TUBULAR(High d	0.1UF D 50V 80%,-20% F(Y5V) TA	
		C5A3	LG0CN1040K948	CAPACITOR,FIXED TUBULAR(High d	0.1UF D 50V 80%,-20% F(Y5V) TA	
		C5A4	LG0CN1030F678	CAPACITOR TUBULA(HIGH DIELE)	0.01M 16V M Y TA26	
		C5A5	LG0CE1054K638	CAPACITOR,ELECTROLYTIC	1.0M SRA/SS50V M FM5 TP(5)	
		C5G1	LG0CN1020K518	CAPACITOR TUBULA(HIGH DIELE)	1000P 50V K B TA26	
		C5G2	LG0CE1086C638	CAPACITOR,FIXED ELECTROLYTIC	1000000000 PF SMS,SG 6.3V M FM	
		C5G3	LG0CN1040K948	CAPACITOR,FIXED TUBULAR(High d	0.1UF D 50V 80%,-20% F(Y5V) TA	
		C5K1	LG0CN1040K948	CAPACITOR,FIXED TUBULAR(High d	0.1UF D 50V 80%,-20% F(Y5V) TA	
		C5R1	LG0CE3364F638	CAPACITOR,ELECTROLYTIC	33M SRA 16V M FM5 TP(5)	
		C5R2	LG0CN6810K518	CAPACITOR TUBULA(HIGH DIELE)	680P 50V K B TA26	
		C5S1	LG0CX4300K408	CAPACITOR TUBULA(T.C)	43P 50V J SL TA26	
		C5S3	LG0CN223AK948	CAPACITOR,TUBULAR(HIGH DIELEC)	0.022UF 50V Z F TA26 S	
		C701	LG0CE4754K638	CAPACITOR,FIXED ELECTROLYTIC	4.7UF SRA,SS 50V 20% FM5 TP 5	
		C704	LG0CE4764F638	CAPACITOR,ELECTROLYTIC	47M SRA/SS 16V M FM5 TP(5)	
		C705	LG0CN1030F678	CAPACITOR TUBULA(HIGH DIELE)	0.01M 16V M Y TA26	
		C706	LG0CE4775C618	CAPACITOR,AL.ELECTROLYTIC	470UF SR,SV 6.3V M FL TP 5	
		C707	LG0CN1030F678	CAPACITOR TUBULA(HIGH DIELE)	0.01M 16V M Y TA26	
		C710	LG0CX6800K408	CAPACITOR TUBULA(T.C)	68P 50V J SL TA26	
		C711	LG0CX3300K408	CAPACITOR TUBULA(T.C)	33P 50V J SL TA26	
		C712	LG0CX5R60K508	CAPACITOR TUBULA(T.C)	5.6PF 50V K SL TA26	
		C713	LG0CE4764F638	CAPACITOR,ELECTROLYTIC	47M SRA/SS 16V M FM5 TP(5)	
		C714	LG0CN1030F678	CAPACITOR TUBULA(HIGH DIELE)	0.01M 16V M Y TA26	
		C751	LG0CE4764F638	CAPACITOR,ELECTROLYTIC	47M SRA/SS 16V M FM5 TP(5)	

VHR-H773EV

S	AL	LOCA. NO.	PART NO.	DESCRIPTION	SPECIFICATION	REMARKS
		C752	LG0CN1030F678	CAPACITOR TUBULA(HIGH DIELE)	0.01M 16V M Y TA26	
		C753	LG0CX5600K408	CAPACITOR,TUBULAR(T.C)	56P 50V J SL TA26	
		C754	LG0CX5600K408	CAPACITOR,TUBULAR(T.C)	56P 50V J SL TA26	
		C755	LG0CE4764F638	CAPACITOR,ELECTROLYTIC	47M SRA/SS 16V M FM5 TP(5)	
		C756	LG0CN1030F678	CAPACITOR TUBULA(HIGH DIELE)	0.01M 16V M Y TA26	
		C757	LG0CE4764F638	CAPACITOR,ELECTROLYTIC	47M SRA/SS 16V M FM5 TP(5)	
		C758	LG0CE1064F638	CAPACITOR,ELECTROLYTIC	10M SRA 16V M FM5 TP(5)	
		C759	LG0CE1064F638	CAPACITOR,ELECTROLYTIC	10M SRA 16V M FM5 TP(5)	
		C760	LG0CN1030F678	CAPACITOR TUBULA(HIGH DIELE)	0.01M 16V M Y TA26	
		C761	LG0CN1030F678	CAPACITOR TUBULA(HIGH DIELE)	0.01M 16V M Y TA26	
		C764	LG0CN3920F668	CAPACITOR TUBULA(HIGH DIELE)	3900P 16V M X TA26	
		C765	LG0CN1520F668	CAPACITOR,TUBULAR(HIGH DIELEC)	1500P 16V M X TA26	
		C766	LG0CE3354K638	CAPACITOR,FIXED ELECTROLYTIC	3.3UF SRA,SS 50V 20% FM5 TP 5	
		C769	LG0CE1064F638	CAPACITOR,ELECTROLYTIC	10M SRA 16V M FM5 TP(5)	
		C770	LG0CN1020K518	CAPACITOR TUBULA(HIGH DIELE)	1000P 50V K B TA26	
		C771	LG0CN1030F678	CAPACITOR TUBULA(HIGH DIELE)	0.01M 16V M Y TA26	
		C772	LG0CC0500K015	CAPACITOR,CERAMIC(TEMP COMP)	5P 50V C NP0 TR	
		C773	LG0CC0800K015	CAPACITOR CERAMIC(TEMP COMP)	8P 50V C NP0 TS	
		C790	LG0CN1030F678	CAPACITOR TUBULA(HIGH DIELE)	0.01M 16V M Y TA26	
		C7M2	LG0CE1064F638	CAPACITOR,ELECTROLYTIC	10M SRA 16V M FM5 TP(5)	
		C7M3	LG0CX2700K408	CAPACITOR TUBULA(T.C)	27P 50V J SL TA26	
		C7M6	LG0CX2700K408	CAPACITOR TUBULA(T.C)	27P 50V J SL TA26	
		C7V1	LG0CE4764F638	CAPACITOR,ELECTROLYTIC	47M SRA/SS 16V M FM5 TP(5)	
		C7V2	LG0CN223AK948	CAPACITOR,TUBULAR(HIGH DIELEC)	0.022UF 50V Z F TA26 S	
		C7V3	LG0CE1054K638	CAPACITOR,ELECTROLYTIC	1.0M SRA/SS50V M FM5 TP(5)	
		C7V4	LG0CN4730K948	CAPACITOR,FIXED TUBULAR(High d	0.047UF D 50V 80%,-20% F(Y5V)	
		C7V5	LG0CN4730K948	CAPACITOR,FIXED TUBULAR(High d	0.047UF D 50V 80%,-20% F(Y5V)	
		C805	LG0CN1040K948	CAPACITOR,FIXED TUBULAR(High d	0.1UF D 50V 80%,-20% F(Y5V) TA	
		C806	LG0CE4754K638	CAPACITOR,FIXED ELECTROLYTIC	4.7UF SRA,SS 50V 20% FM5 TP 5	
		C807	LG0CE4754K638	CAPACITOR,FIXED ELECTROLYTIC	4.7UF SRA,SS 50V 20% FM5 TP 5	
		C808	LG0CN1040K948	CAPACITOR,FIXED TUBULAR(High d	0.1UF D 50V 80%,-20% F(Y5V) TA	
		C809	LG0CN1040K948	CAPACITOR,FIXED TUBULAR(High d	0.1UF D 50V 80%,-20% F(Y5V) TA	
		C810	LG0CE1064F638	CAPACITOR,ELECTROLYTIC	10M SRA 16V M FM5 TP(5)	
		C811	LG0CE1064F638	CAPACITOR,ELECTROLYTIC	10M SRA 16V M FM5 TP(5)	
		C813	LG0CE1064F638	CAPACITOR,ELECTROLYTIC	10M SRA 16V M FM5 TP(5)	
		C814	LG0CE1064F638	CAPACITOR,ELECTROLYTIC	10M SRA 16V M FM5 TP(5)	
		C817	LG0CE1064F638	CAPACITOR,ELECTROLYTIC	10M SRA 16V M FM5 TP(5)	
		C818	LG0CE4754K638	CAPACITOR,FIXED ELECTROLYTIC	4.7UF SRA,SS 50V 20% FM5 TP 5	
		C819	LG0CE1064F638	CAPACITOR,ELECTROLYTIC	10M SRA 16V M FM5 TP(5)	
		C820	LG0CQ6822K409	CAPACITOR,POLYESTER(MYLAR)	6800PF S 50V J PE TP	
		C821	LG0CE4764F638	CAPACITOR,ELECTROLYTIC	47M SRA/SS 16V M FM5 TP(5)	
		C822	LG0CE1064F638	CAPACITOR,ELECTROLYTIC	10M SRA 16V M FM5 TP(5)	
		C823	LG0CE1064F638	CAPACITOR,ELECTROLYTIC	10M SRA 16V M FM5 TP(5)	
		C824	LG0CE1064F638	CAPACITOR,ELECTROLYTIC	10M SRA 16V M FM5 TP(5)	
		C825	LG0CE4764F638	CAPACITOR,ELECTROLYTIC	47M SRA/SS 16V M FM5 TP(5)	
		C826	LG0CQ6822K409	CAPACITOR,POLYESTER(MYLAR)	6800PF S 50V J PE TP	
		C827	LG0CE1064F638	CAPACITOR,ELECTROLYTIC	10M SRA 16V M FM5 TP(5)	
		C828	LG0CE4764F638	CAPACITOR,ELECTROLYTIC	47M SRA/SS 16V M FM5 TP(5)	
		C829	LG0CN1030F678	CAPACITOR TUBULA(HIGH DIELE)	0.01M 16V M Y TA26	
		C830	LG0CN1040K948	CAPACITOR,FIXED TUBULAR(High d	0.1UF D 50V 80%,-20% F(Y5V) TA	
		C831	LG0CN1030F678	CAPACITOR TUBULA(HIGH DIELE)	0.01M 16V M Y TA26	
		C832	LG0CE4764F638	CAPACITOR,ELECTROLYTIC	47M SRA/SS 16V M FM5 TP(5)	
		C835	LG0CE4744K638	CAPACITOR,ELECTROLYTIC	0.47M SRA 50V M FM5 TP(5)	
		C8R1	LG0CN1020K518	CAPACITOR TUBULA(HIGH DIELE)	1000P 50V K B TA26	
		C8R2	LG0CN1020K518	CAPACITOR TUBULA(HIGH DIELE)	1000P 50V K B TA26	
		C901	LG0CN1020K518	CAPACITOR TUBULA(HIGH DIELE)	1000P 50V K B TA26	
		C902	LG0CE477CF638	CAPACITOR,AL.ELECTROLYTIC	470UF SHL TYPE 16V M FM5 TP 5	
		C903	LG0CN1020K518	CAPACITOR TUBULA(HIGH DIELE)	1000P 50V K B TA26	
		C904	LG0CN1020K518	CAPACITOR TUBULA(HIGH DIELE)	1000P 50V K B TA26	

VHR-H773EV

S	AL	LOCA. NO.	PART NO.	DESCRIPTION	SPECIFICATION	REMARKS
		C909	LG0CN1040K948	CAPACITOR, FIXED TUBULAR(High d	0.1UF D 50V 80%,-20% F(Y5V) TA	
		C911	LG0CN1020K518	CAPACITOR TUBULA(HIGH DIELE)	1000P 50V K B TA26	
		C912	LG0CE477CF638	CAPACITOR,AL.ELECTROLYTIC	470UF SHL TYPE 16V M FM5 TP 5	
		C914	LG0CN1020K518	CAPACITOR TUBULA(HIGH DIELE)	1000P 50V K B TA26	
		C915	LG0CN1040K948	CAPACITOR, FIXED TUBULAR(High d	0.1UF D 50V 80%,-20% F(Y5V) TA	
		C917	LG0CX2700K408	CAPACITOR TUBULA(T.C)	27P 50V J SL TA26	
		C920	LG0CN1040K948	CAPACITOR, FIXED TUBULAR(High d	0.1UF D 50V 80%,-20% F(Y5V) TA	
		C921	LG0CN1040K948	CAPACITOR, FIXED TUBULAR(High d	0.1UF D 50V 80%,-20% F(Y5V) TA	
		C956	LG0CE1054K638	CAPACITOR,ELECTROLYTIC	1.0M SRA/SS50V M FM5 TP(5)	
		C957	LG0CX2700K408	CAPACITOR TUBULA(T.C)	27P 50V J SL TA26	
		C960	LG0CN1040K948	CAPACITOR, FIXED TUBULAR(High d	0.1UF D 50V 80%,-20% F(Y5V) TA	
		C961	LG0CE1064F638	CAPACITOR,ELECTROLYTIC	10M SRA 16V M FM5 TP(5)	
		FL301	LG633-032K	COIL,IFT	BIAC OSC,1CHIP 5V(KS-75M) KWAN	
		L103	LG633-088G	COIL,CHOKE	CHOCK(22MH) 5MM TOKO TP	
		L104	LG633-088G	COIL,CHOKE	CHOCK(22MH) 5MM TOKO TP	
		L301	LG0LR0102J0N5	INDUCTOR,RADIAL LEAD	10UH 5% TP 3X5 TR5	
		L301	LGGLR0102K0P5	INDUCTOR,RADIAL LEAD	LF7.5N OEL 10UH 10% TP 4.8X4.0	ALTERNATE
		L301	LG0LR0102K0P5	INDUCTOR,RADIAL LEAD	LF7.5N OEL 10UH 10% TP 4.8X4.0	ALTERNATE
		L302	LG0LR1000K035	INDUCTOR RADIAL LEAD	100M K 6X6 L5 TP	
		L303	LG0LR0102J0N5	INDUCTOR,RADIAL LEAD	10UH 5% TP 3X5 TR5	
		L303	LG0LR0102K0P5	INDUCTOR,RADIAL LEAD	LF7.5N OEL 10UH 10% TP 4.8X4.0	ALTERNATE
		L303	LGGLR0102K0P5	INDUCTOR,RADIAL LEAD	LF7.5N OEL 10UH 10% TP 4.8X4.0	ALTERNATE
		L304	LG0LR0102J0N5	INDUCTOR,RADIAL LEAD	10UH 5% TP 3X5 TR5	
		L304	LGGLR0102K0P5	INDUCTOR,RADIAL LEAD	LF7.5N OEL 10UH 10% TP 4.8X4.0	ALTERNATE
		L304	LG0LR0102K0P5	INDUCTOR,RADIAL LEAD	LF7.5N OEL 10UH 10% TP 4.8X4.0	ALTERNATE
		L305	LG0LR1000K035	INDUCTOR RADIAL LEAD	100M K 6X6 L5 TP	
		L307	LG0LR0102J0N5	INDUCTOR,RADIAL LEAD	10UH 5% TP 3X5 TR5	
		L307	LG0LR0102K0P5	INDUCTOR,RADIAL LEAD	LF7.5N OEL 10UH 10% TP 4.8X4.0	ALTERNATE
		L307	LGGLR0102K0P5	INDUCTOR,RADIAL LEAD	LF7.5N OEL 10UH 10% TP 4.8X4.0	ALTERNATE
		L501	LG0LA0122K018	INDUCTOR AXIAL LEAD	12M K 2.3X3.4 L5 TP	
		L503	LG0LR1000K035	INDUCTOR RADIAL LEAD	100M K 6X6 L5 TP	
		L504	LG0LR0102J0N5	INDUCTOR,RADIAL LEAD	10UH 5% TP 3X5 TR5	
		L504	LG0LR0102K0P5	INDUCTOR,RADIAL LEAD	LF7.5N OEL 10UH 10% TP 4.8X4.0	ALTERNATE
		L505	LG0LR1000K035	INDUCTOR RADIAL LEAD	100M K 6X6 L5 TP	
		L506	LG635-027C	INDUCTOR,RADIAL LEAD	EL0405RA SKI150G-3 K-TDK 15UH	
		L5G2	LG0LR1500K035	INDUCTOR RADIAL LEAD	150M K 6X6 L5 TP	
		L5S1	LG0LA0332K018	INDUCTOR AXIAL LEAD	33M K 2.3X3.4 L5 TP	
		L702	LG0LR1000K035	INDUCTOR RADIAL LEAD	100M K 6X6 L5 TP	
		L702	LGGLR1000K0P5	INDUCTOR,RADIAL LEAD	LF7.5N OEL 100UH 10% TP 4.8X4.	ALTERNATE
		L703	LG0LR1000K035	INDUCTOR RADIAL LEAD	100M K 6X6 L5 TP	
		L703	LGGLR1000K0P5	INDUCTOR,RADIAL LEAD	LF7.5N OEL 100UH 10% TP 4.8X4.	ALTERNATE
		L704	LG0LA0821K018	INDUCTOR AXIAL LEAD	8.2M K 2.3X3.4 L5 TP	
		L705	LG0LR1000K035	INDUCTOR RADIAL LEAD	100M K 6X6 L5 TP	
		L705	LGGLR1000K0P5	INDUCTOR,RADIAL LEAD	LF7.5N OEL 100UH 10% TP 4.8X4.	ALTERNATE
		L751	LG0LR0102J0N5	INDUCTOR,RADIAL LEAD	10UH 5% TP 3X5 TR5	
		L751	LG0LR0102K0P5	INDUCTOR,RADIAL LEAD	LF7.5N OEL 10UH 10% TP 4.8X4.0	ALTERNATE
		L753	LG0LR0102J0N5	INDUCTOR,RADIAL LEAD	10UH 5% TP 3X5 TR5	
		L753	LG0LR0102K0P5	INDUCTOR,RADIAL LEAD	LF7.5N OEL 10UH 10% TP 4.8X4.0	ALTERNATE
		L7V1	LG0LR1000K035	INDUCTOR RADIAL LEAD	100M K 6X6 L5 TP	
		L7V1	LGGLR1000K0P5	INDUCTOR,RADIAL LEAD	LF7.5N OEL 100UH 10% TP 4.8X4.	ALTERNATE
		L801	LG0LR0102J0N5	INDUCTOR,RADIAL LEAD	10UH 5% TP 3X5 TR5	
		L801	LG0LR0102K0P5	INDUCTOR,RADIAL LEAD	LF7.5N OEL 10UH 10% TP 4.8X4.0	ALTERNATE
		L801	LGGLR0102K0P5	INDUCTOR,RADIAL LEAD	LF7.5N OEL 10UH 10% TP 4.8X4.0	ALTERNATE
		L802	LG0LR0102J0N5	INDUCTOR,RADIAL LEAD	10UH 5% TP 3X5 TR5	
		L802	LG0LR0102K0P5	INDUCTOR,RADIAL LEAD	LF7.5N OEL 10UH 10% TP 4.8X4.0	ALTERNATE
		L802	LGGLR0102K0P5	INDUCTOR,RADIAL LEAD	LF7.5N OEL 10UH 10% TP 4.8X4.0	ALTERNATE
		L8R1	LG0LA1000K018	INDUCTOR AXIAL LEAD	100M K 2.3X3.4 L5 TP	
		L8R2	LG0LA1000K018	INDUCTOR AXIAL LEAD	100M K 2.3X3.4 L5 TP	
		L901	LG0LA1000K018	INDUCTOR AXIAL LEAD	100M K 2.3X3.4 L5 TP	

VHR-H773EV

S	AL	LOCA. NO.	PART NO.	DESCRIPTION	SPECIFICATION	REMARKS
		L902	LG0LA1000K018	INDUCTOR AXIAL LEAD	100M K 2.3X3.4 L5 TP	
		L904	LG0LA1000K018	INDUCTOR AXIAL LEAD	100M K 2.3X3.4 L5 TP	
		L906	LG0LA1000K018	INDUCTOR AXIAL LEAD	100M K 2.3X3.4 L5 TP	
		L911	LG0LA1000K018	INDUCTOR AXIAL LEAD	100M K 2.3X3.4 L5 TP	
		L912	LG0LA1000K018	INDUCTOR AXIAL LEAD	100M K 2.3X3.4 L5 TP	
		L914	LG0LA1000K018	INDUCTOR AXIAL LEAD	100M K 2.3X3.4 L5 TP	
		L915	LG0LA1000K018	INDUCTOR AXIAL LEAD	100M K 2.3X3.4 L5 TP	
△		BD101	LG0DD16000DA	DIODE	S1WBA60(1A 600V) SHIDENKEN	
		D102	LG0DD010009CA	DIODE,RECTIFIER	EG01CW(R-FORM 5MM) TP SANKEN	
		D102	LG0DD221009AA	DIODE,RECTIFIERS	ERA22-10 KFLB,TP ,R T/P,FUJI	ALTERNATE
		D103	LG0DR180209AA	DIODE,RECTIFIER	ERA18-02KFRB TP FUJI DO204AL 2	
		D104	LG0DD133009AA	DIODE,SWITCHING	1SS133 DETECT,SW TP	
		D105	LG0DD010009AC	DIODE	EU01W(R-FORM) TP SANKEN	ALTERNATE
		D105	LG0DR104009BA	DIODE,RECTIFIER	RL104F TP RECTRON NON 400V 1A	
		D106	LG0DR810040BA	DIODE,RECTIFIER	ERC81-004L22 BK FUJI DO201AD 4	ALTERNATE
		D106	LG0DR158220AA	DIODE,RECTIFIER	1N5822 BK RECTRON DO201AD 40V	
		D109	LG0DR310000AA	DIODE,RECTIFIERS	RU3YXLF-C1 BK SANKEN D4 100V 2	ALTERNATE
		D109	LG0DR202000AB	DIODE,RECTIFIER	HER202 BK RECTRON NON 100V 2A	
		D155	LG0DD207000AB	DIODE,RECTIFIERS	2A07 2A RECT(T/S)P=12.5 F DELT	
		D156	LG0DD133009AA	DIODE,SWITCHING	1SS133 DETECT,SW TP	
		D159	LG0DD133009AA	DIODE,SWITCHING	1SS133 DETECT,SW TP	
		D160	LG0DD133009AA	DIODE,SWITCHING	1SS133 DETECT,SW TP	
		D301	LG0DD133009AA	DIODE,SWITCHING	1SS133 DETECT,SW TP	
		D502	LG0DD133009AA	DIODE,SWITCHING	1SS133 DETECT,SW TP	
		D509	LG0DD133009AA	DIODE,SWITCHING	1SS133 DETECT,SW TP	
		D901	LG0DD133009AA	DIODE,SWITCHING	1SS133 DETECT,SW TP	
		D902	LG0DD133009AA	DIODE,SWITCHING	1SS133 DETECT,SW TP	
		D903	LG0DD133009AA	DIODE,SWITCHING	1SS133 DETECT,SW TP	
		D904	LG0DD133009AA	DIODE,SWITCHING	1SS133 DETECT,SW TP	
		L101	LG636-004C	FILTER(CIRC),EMC	BEAD CORE BFS3550R2FD8,R T/P	
△		L102	LG616-145H	FILTER(CIRC)	SHT LFS2020V4-04350	
		L106	LG636-004C	FILTER(CIRC),EMC	BEAD CORE BFS3550R2FD8,R T/P	
		L905	LG636-004C	FILTER(CIRC),EMC	BEAD CORE BFS3550R2FD8,R T/P	
		L907	LG636-004C	FILTER(CIRC),EMC	BEAD CORE BFS3550R2FD8,R T/P	
		W588	LG636-004C	FILTER(CIRC),EMC	BEAD CORE BFS3550R2FD8,R T/P	
△		F101	LG585-011T	FUSE,SLOW BLOW	1600MA 250 V 5.2X20 CY/GL SEMK	
		F102	LG0IRH200000B	IC,ROHM	ICP-N20 T104 TP IC DETACT	
△		IC101	LG0IPMGSK003A	IC,POWER MANAGEMENT	STR-A6351 SANKEN 8 DIP ST SMPS	
		IC103	LG0IKE431000A	IC,KEC	KIA431 3 PIN TP	
		IC301	LG0ILNRSAA005B	IC,LINEAR	LA71750EM SANYO 100PIN QFP TRA	
		IC501	LG0IMCRHI027A	IC,MICRO CONTROLLER	HD64322197SA19F HITACHI 112PIN	
		IC503	LG0IAL241600B	IC,ATMEL	AT24C16 - - - -	ALTERNATE
		IC503	LG0ICS241600B	IC,CATALYST	CAT24W16P 8P DIP ST 16K SERIAL	
		IC504	LG0ISS753100A	IC,SAMSUNG ELECTRONICS	KA7531Z TO-92 TP 3.1V RESET	ALTERNATE
		IC504	LG0IKE703100A	IC,KEC	KIA7031P 3P 3.1V RESET(TAPING)	
		IC505	LG0IKE704200B	IC,KEC	KIA7042P 3P 4.2V RESET(TAPING)	
		IC506	LG0ILNRPY001A	IC,LINEAR	PT6955 PTC 24P SOP ST LED DRIV	
		IC751	LG0IIT341700B	IC,ITT	MSP3417D-QG QFP44 BK NICAM+A2	
		IC751	LG0IIT341700C	IC,ITT	MSP3417G-QG-B8-V3 44 QFP TRAY	ALTERNATE
		IC7V1	LG0ILNRMN001A	IC,LINEAR	SDA5650 MICRONAS 14 DIP ST VPS	
		IC801	LG0IPH960500A	IC,PHILIPS	TDA9605H QFP44 BK HIFI AMP+HIF	
		JK801	LG6612R-C002C	JACK,RCA	RCA-208C-06 YUQIU WH-RD	
		JK901	LG6620RM0002L	JACK,SCART	DSAM-0139 DOOWON 2F-21P(BK-BK)	
		LD501	LG4931R-0017C	HOLDER ASSY	LED(DI-CKD)LOCAL	
		LED501	LG6301R2U002D	LED ASSY	TOF-3462AGE-B OASIS UNIVERSAL	
		LED501	LG6301R3U002D	LED ASSEMBLY	ELF347GWB/S285 EVERLIGHT UNIVE	ALTERNATE
		Q151	LG0TR127309AA	TRANSISTOR	KTA1273-TP-Y (KTA966A)KEC	
		Q151	LG0TR928009AD	TRANSISTOR	KSA928A-Y,TO-92L TP SAMSUNG TO	ALTERNATE
		Q152	LG0TR127309AA	TRANSISTOR	KTA1273-TP-Y (KTA966A)KEC	

VHR-H773EV

S	AL	LOCA. NO.	PART NO.	DESCRIPTION	SPECIFICATION	REMARKS
		Q152	LG0TR928009AD	TRANSISTOR	KSA928A-Y,TO-92L TP SAMSUNG TO	ALTERNATE
		Q154	LG0TR126809BA	TRANSISTOR,BIPOLARS	KTA1268-BL TP KEC	
		Q155	LG0TR320509AB	TRANSISTOR	KTC3205-TP-Y (KTC2236A)KEC	
		Q155	LG0TR232809AB	TRANSISTOR	KSC2328A-Y TP SAMSUNG TO-92L	ALTERNATE
		Q157	LG0TR100309AA	TRANSISTOR	KSR1003 TP (S/S)	ALTERNATE
		Q157	LG0TR120309AE	TRANSISTOR	SRC1203 TP AUK TO92 22K,22K	
		Q162	LG0TR534309BA	TRANSISTOR	2SC5343-L TP AUK TO92	
		Q163	LG0TR120109AC	TRANSISTOR	SRC1201 TP AUK TO92 4.7K,4.7K	
		Q164	LG0TR100309AA	TRANSISTOR	KSR1003 TP (S/S)	ALTERNATE
		Q164	LG0TR120309AE	TRANSISTOR	SRC1203 TP AUK TO92 22K,22K	
		Q165	LG0TR200309AA	TRANSISTOR	KSR2003TA TP FAIRCHILD TO92	ALTERNATE
		Q165	LG0TR220309AF	TRANSISTOR	SRA2203 TP AUK TO92 22K,22K	
		Q166	LG0TR127309AA	TRANSISTOR	KTA1273-TP-Y (KTA966A)KEC	
		Q166	LG0TR928009AD	TRANSISTOR	KSA928A-Y,TO-92L TP SAMSUNG TO	ALTERNATE
		Q301	LG0TR319809AC	TRANSISTOR	KTC3198-TP-BL (KTC1815)KEC	ALTERNATE
		Q301	LG0TR534309BA	TRANSISTOR	2SC5343-L TP AUK TO92	
		Q302	LG0TR198009CA	TRANSISTOR	2SA1980G TP AUK TO92	
		Q303	LG0TR319809AC	TRANSISTOR	KTC3198-TP-BL (KTC1815)KEC	ALTERNATE
		Q303	LG0TR534309BA	TRANSISTOR	2SC5343-L TP AUK TO92	
		Q304	LG0TR319809AC	TRANSISTOR	KTC3198-TP-BL (KTC1815)KEC	ALTERNATE
		Q304	LG0TR534309BA	TRANSISTOR	2SC5343-L TP AUK TO92	
		Q305	LG0TR198009CA	TRANSISTOR	2SA1980G TP AUK TO92	
		Q306	LG0TR320309AA	TRANSISTOR,BIPOLARS	KTC3203 KEC TP TO92 50V 150MA	ALTERNATE
		Q306	LG0TR534409AA	TRANSISTOR	2SC5344Y TP	
		Q307	LG0TR198009CA	TRANSISTOR	2SA1980G TP AUK TO92	
		Q308	LG0TR198009CA	TRANSISTOR	2SA1980G TP AUK TO92	
		Q309	LG0TR198009CA	TRANSISTOR	2SA1980G TP AUK TO92	
		Q501	LG0TR319809AC	TRANSISTOR	KTC3198-TP-BL (KTC1815)KEC	ALTERNATE
		Q501	LG0TR534309BA	TRANSISTOR	2SC5343-L TP AUK TO92	
		Q502	LG0TR534309BA	TRANSISTOR	2SC5343-L TP AUK TO92	
		Q503	LG0TR127309AA	TRANSISTOR	KTA1273-TP-Y (KTA966A)KEC	
		Q504	LG0TR534309BA	TRANSISTOR	2SC5343-L TP AUK TO92	
		Q514	LG0TR100309AA	TRANSISTOR	KSR1003 TP (S/S)	ALTERNATE
		Q514	LG0TR120309AE	TRANSISTOR	SRC1203 TP AUK TO92 22K,22K	
		Q515	LG0TR100309AA	TRANSISTOR	KSR1003 TP (S/S)	ALTERNATE
		Q515	LG0TR120309AE	TRANSISTOR	SRC1203 TP AUK TO92 22K,22K	
		Q5S1	LG0TR534309BA	TRANSISTOR	2SC5343-L TP AUK TO92	
		Q901	LG0TR100309AA	TRANSISTOR	KSR1003 TP (S/S)	ALTERNATE
		Q901	LG0TR120309AE	TRANSISTOR	SRC1203 TP AUK TO92 22K,22K	
		Q902	LG0TR200309AA	TRANSISTOR	KSR2003TA TP FAIRCHILD TO92	ALTERNATE
		Q902	LG0TR220309AF	TRANSISTOR	SRA2203 TP AUK TO92 22K,22K	
		Q903	LG0TR100309AA	TRANSISTOR	KSR1003 TP (S/S)	ALTERNATE
		Q903	LG0TR120309AE	TRANSISTOR	SRC1203 TP AUK TO92 22K,22K	
		Q906	LG0TR534309BA	TRANSISTOR	2SC5343-L TP AUK TO92	
		R101	LG614-007A	RESISTOR	2.7/2W CEMENT SMPS V	
		R102	LG0RD1803F608	RESISTOR,FIXED CARBON FILM	180K OHM 1/6 W 0.05 TA26	
		R103	LG0RD0682F608	RESISTOR,FIXED CARBON FILM	68 OHM 1/6 W 5.00% TA26	
		R104	LG0RS5602K619	RESISTOR,FIXED METAL OXIDE FIL	56K OHM 2 W 5.00% TR	
		R105	LG0RF0101A619	RESISTOR,DRAWING	1 OHM 1/2 W(7.0) 5.00% TR	
		R106	LG0RD1803F608	RESISTOR,FIXED CARBON FILM	180K OHM 1/6 W 0.05 TA26	
		R109	LG0RS0350K619	RESISTOR,FIXED METAL OXIDE FIL	0.35 OHM 2 W 5.00% TR	
		R112	LG0RD1003F608	RESISTOR,FIXED CARBON FILM	100K OHM 1/6 W 5% TA26	
		R116	LG0RD2200F608	RESISTOR,FIXED CARBON FILM	220 OHM 1/6 W 5% TA26	
		R117	LG0RD2201F608	RESISTOR,FIXED CARBON FILM	2.2K OHM 1/6 W 5% TA26	
		R118	LG0RD1001F608	RESISTOR,FIXED CARBON FILM	1K OHM 1/6 W 5% TA26	
		R119	LG0RN3301F408	RESISTOR,FIXED METAL FILM	3.3K OHM 1/6 W 1% TA26	
		R120	LG0RN3001F408	RESISTOR,FIXED METAL FILM	3K OHM 1/6 W 1% TA26	
		R125	LG0RD4701F608	RESISTOR,FIXED CARBON FILM	4.7K OHM 1/6 W 5% TA26	
		R126	LG0RD6800F608	RESISTOR,FIXED CARBON FILM	680 OHM 1/6 W 5% TA26	

VHR-H773EV

S	AL	LOCA. NO.	PART NO.	DESCRIPTION	SPECIFICATION	REMARKS
		R151	LG0RD1001F608	RESISTOR, FIXED CARBON FILM	1K OHM 1/6 W 5% TA26	
		R152	LG0RD3300F608	RESISTOR, FIXED CARBON FILM	330 OHM 1/6 W 5% TA26	
		R153	LG0RD1001F608	RESISTOR, FIXED CARBON FILM	1K OHM 1/6 W 5% TA26	
		R154	LG0RD3300F608	RESISTOR, FIXED CARBON FILM	330 OHM 1/6 W 5% TA26	
		R155	LG0RD3301F608	RESISTOR, FIXED CARBON FILM	3.3K OHM 1/6 W 5% TA26	
		R157	LG0RD1001F608	RESISTOR, FIXED CARBON FILM	1K OHM 1/6 W 5% TA26	
		R158	LG0RD1802F608	RESISTOR, FIXED CARBON FILM	18K OHM 1/6 W 5% TA26	
		R159	LG0RD4700F608	RESISTOR, FIXED CARBON FILM	470 OHM 1/6 W 5% TA26	
		R161	LG0RD4701F608	RESISTOR, FIXED CARBON FILM	4.7K OHM 1/6 W 5% TA26	
		R170	LG0RD5601F608	RESISTOR, FIXED CARBON FILM	5.6K OHM 1/6 W 5% TA26	
		R172	LG0RD2700F608	RESISTOR, FIXED CARBON FILM	270 OHM 1/6 W 5% TA26	
		R173	LG0RD2700F608	RESISTOR, FIXED CARBON FILM	270 OHM 1/6 W 5% TA26	
		R1B1	LG0RD1504H632	RESISTOR, FIXED CARBON FILM	1.5M OHM 1/2 W 5.00% MF10	
		R301	LG0RD5602F608	RESISTOR, FIXED CARBON FILM	56K OHM 1/6 W 5% TA26	
		R303	LG0RD1802F608	RESISTOR, FIXED CARBON FILM	18K OHM 1/6 W 5% TA26	
		R304	LG0RD1002F608	RESISTOR, FIXED CARBON FILM	10K OHM 1/6 W 5% TA26	
		R305	LG0RD1002F608	RESISTOR, FIXED CARBON FILM	10K OHM 1/6 W 5% TA26	
		R306	LG0RD2202F608	RESISTOR, FIXED CARBON FILM	22K OHM 1/6 W 5% TA26	
		R307	LG0RD2201F608	RESISTOR, FIXED CARBON FILM	2.2K OHM 1/6 W 5% TA26	
		R308	LG0RD4701F608	RESISTOR, FIXED CARBON FILM	4.7K OHM 1/6 W 5% TA26	
		R309	LG0RD1001F608	RESISTOR, FIXED CARBON FILM	1K OHM 1/6 W 5% TA26	
		R310	LG0RD4701F608	RESISTOR, FIXED CARBON FILM	4.7K OHM 1/6 W 5% TA26	
		R311	LG0RD1001F608	RESISTOR, FIXED CARBON FILM	1K OHM 1/6 W 5% TA26	
		R312	LG0RD6802F608	RESISTOR, FIXED CARBON FILM	68K OHM 1/6 W 5% TA26	
		R313	LG0RD0221F608	RESISTOR, FIXED CARBON FILM	2.2 OHM 1/6 W 5% TA26	
		R314	LG0RD1001F608	RESISTOR, FIXED CARBON FILM	1K OHM 1/6 W 5% TA26	
		R315	LG0RD0472F608	RESISTOR, FIXED CARBON FILM	47 OHM 1/6 W 5% TA26	
		R316	LG0RD1000F608	RESISTOR, FIXED CARBON FILM	100 OHM 1/6 W 5% TA26	
		R317	LG0RD5601F608	RESISTOR, FIXED CARBON FILM	5.6K OHM 1/6 W 5% TA26	
		R318	LG0RD3901F608	RESISTOR, FIXED CARBON FILM	3.9K OHM 1/6 W 5% TA26	
		R319	LG0RD5600F608	RESISTOR, FIXED CARBON FILM	560 OHM 1/6 W 5% TA26	
		R320	LG0RD1500F608	RESISTOR, FIXED CARBON FILM	150 OHM 1/6 W 5% TA26	
		R321	LG0RD1201F608	RESISTOR, FIXED CARBON FILM	1.2K OHM 1/6 W 5% TA26	
		R322	LG0RD1001F608	RESISTOR, FIXED CARBON FILM	1K OHM 1/6 W 5% TA26	
		R324	LG0RD3303F608	RESISTOR, FIXED CARBON FILM	330K OHM 1/6 W 5% TA26	
		R325	LG0RD4700F608	RESISTOR, FIXED CARBON FILM	470 OHM 1/6 W 5% TA26	
		R326	LG0RD1202F608	RESISTOR, FIXED CARBON FILM	12K OHM 1/6 W 5% TA26	
		R327	LG0RD5601F608	RESISTOR, FIXED CARBON FILM	5.6K OHM 1/6 W 5% TA26	
		R328	LG0RD2700F608	RESISTOR, FIXED CARBON FILM	270 OHM 1/6 W 5% TA26	
		R329	LG0RD1202F608	RESISTOR, FIXED CARBON FILM	12K OHM 1/6 W 5% TA26	
		R330	LG0RD1002F608	RESISTOR, FIXED CARBON FILM	10K OHM 1/6 W 5% TA26	
		R331	LG0RD4701F608	RESISTOR, FIXED CARBON FILM	4.7K OHM 1/6 W 5% TA26	
		R334	LG0RD2701F608	RESISTOR, FIXED CARBON FILM	2.7K OHM 1/6 W 5% TA26	
		R335	LG0RD6801F608	RESISTOR, FIXED CARBON FILM	6.8K OHM 1/6 W 5% TA26	
		R336	LG0RD1003F608	RESISTOR, FIXED CARBON FILM	100K OHM 1/6 W 5% TA26	
		R337	LG0RD2201F608	RESISTOR, FIXED CARBON FILM	2.2K OHM 1/6 W 5% TA26	
		R338	LG0RD2700F608	RESISTOR, FIXED CARBON FILM	270 OHM 1/6 W 5% TA26	
		R339	LG0RD5600F608	RESISTOR, FIXED CARBON FILM	560 OHM 1/6 W 5% TA26	
		R340	LG0RD1802F608	RESISTOR, FIXED CARBON FILM	18K OHM 1/6 W 5% TA26	
		R342	LG0RD5600F608	RESISTOR, FIXED CARBON FILM	560 OHM 1/6 W 5% TA26	
		R343	LG0RD0752F608	RESISTOR, FIXED CARBON FILM	75 OHM 1/6 W 5.00% TA26	
		R344	LG0RD4700F608	RESISTOR, FIXED CARBON FILM	470 OHM 1/6 W 5% TA26	
		R345	LG0RD4700F608	RESISTOR, FIXED CARBON FILM	470 OHM 1/6 W 5% TA26	
		R346	LG0RD1000F608	RESISTOR, FIXED CARBON FILM	100 OHM 1/6 W 5% TA26	
		R347	LG0RD1000F608	RESISTOR, FIXED CARBON FILM	100 OHM 1/6 W 5% TA26	
		R349	LG0RD1801F608	RESISTOR, FIXED CARBON FILM	1.8K OHM 1/6 W 5% TA26	
		R350	LG0RD1002F608	RESISTOR, FIXED CARBON FILM	10K OHM 1/6 W 5% TA26	
		R351	LG0RD8203F608	RESISTOR, FIXED CARBON FILM	820K OHM 1/6 W 0.05 TA26	
		R3A1	LG0RD1002F608	RESISTOR, FIXED CARBON FILM	10K OHM 1/6 W 5% TA26	

VHR-H773EV

S	AL	LOCA. NO.	PART NO.	DESCRIPTION	SPECIFICATION	REMARKS
		R501	LG0RD1000F608	RESISTOR, FIXED CARBON FILM	100 OHM 1/6 W 5% TA26	
		R502	LG0RD1000F608	RESISTOR, FIXED CARBON FILM	100 OHM 1/6 W 5% TA26	
		R503	LG0RD4701F608	RESISTOR, FIXED CARBON FILM	4.7K OHM 1/6 W 5% TA26	
		R504	LG0RD1001F608	RESISTOR, FIXED CARBON FILM	1K OHM 1/6 W 5% TA26	
		R505	LG0RD1001F608	RESISTOR, FIXED CARBON FILM	1K OHM 1/6 W 5% TA26	
		R506	LG0RD1002F608	RESISTOR, FIXED CARBON FILM	10K OHM 1/6 W 5% TA26	
		R507	LG0RD1002F608	RESISTOR, FIXED CARBON FILM	10K OHM 1/6 W 5% TA26	
		R508	LG0RD2201F608	RESISTOR, FIXED CARBON FILM	2.2K OHM 1/6 W 5% TA26	
		R509	LG0RD2201F608	RESISTOR, FIXED CARBON FILM	2.2K OHM 1/6 W 5% TA26	
		R510	LG0RD2201F608	RESISTOR, FIXED CARBON FILM	2.2K OHM 1/6 W 5% TA26	
		R511	LG0RD1001F608	RESISTOR, FIXED CARBON FILM	1K OHM 1/6 W 5% TA26	
		R512	LG0RD1001F608	RESISTOR, FIXED CARBON FILM	1K OHM 1/6 W 5% TA26	
		R513	LG0RD1001F608	RESISTOR, FIXED CARBON FILM	1K OHM 1/6 W 5% TA26	
		R514	LG0RD1203F608	RESISTOR, FIXED CARBON FILM	120K OHM 1/6 W 5% TA26	
		R515	LG0RD2700F608	RESISTOR, FIXED CARBON FILM	270 OHM 1/6 W 5% TA26	
		R516	LG0RD4703F608	RESISTOR, FIXED CARBON FILM	470K OHM 1/6 W 5% TA26	
		R517	LG0RD4700F608	RESISTOR, FIXED CARBON FILM	470 OHM 1/6 W 5% TA26	
		R518	LG0RD1001F608	RESISTOR, FIXED CARBON FILM	1K OHM 1/6 W 5% TA26	
		R520	LG0RD3901F608	RESISTOR, FIXED CARBON FILM	3.9K OHM 1/6 W 5% TA26	
		R521	LG0RD4701F608	RESISTOR, FIXED CARBON FILM	4.7K OHM 1/6 W 5% TA26	
		R522	LG0RD1001F608	RESISTOR, FIXED CARBON FILM	1K OHM 1/6 W 5% TA26	
		R523	LG0RD1002F608	RESISTOR, FIXED CARBON FILM	10K OHM 1/6 W 5% TA26	
		R524	LG0RD0222F608	RESISTOR, FIXED CARBON FILM	22 OHM 1/6 W 5% TA26	
		R525	LG0RD5601F608	RESISTOR, FIXED CARBON FILM	5.6K OHM 1/6 W 5% TA26	
		R526	LG0RD5601F608	RESISTOR, FIXED CARBON FILM	5.6K OHM 1/6 W 5% TA26	
		R527	LG0RD1002F608	RESISTOR, FIXED CARBON FILM	10K OHM 1/6 W 5% TA26	
		R528	LG0RD4701F608	RESISTOR, FIXED CARBON FILM	4.7K OHM 1/6 W 5% TA26	
		R529	LG0RD1002F608	RESISTOR, FIXED CARBON FILM	10K OHM 1/6 W 5% TA26	
		R530	LG0RD4701F608	RESISTOR, FIXED CARBON FILM	4.7K OHM 1/6 W 5% TA26	
		R531	LG0RD1002F608	RESISTOR, FIXED CARBON FILM	10K OHM 1/6 W 5% TA26	
		R535	LG0RD4703F608	RESISTOR, FIXED CARBON FILM	470K OHM 1/6 W 5% TA26	
		R542	LG0RD2201F608	RESISTOR, FIXED CARBON FILM	2.2K OHM 1/6 W 5% TA26	
		R543	LG0RD1000F608	RESISTOR, FIXED CARBON FILM	100 OHM 1/6 W 5% TA26	
		R544	LG0RD4701F608	RESISTOR, FIXED CARBON FILM	4.7K OHM 1/6 W 5% TA26	
		R546	LG0RD5601F608	RESISTOR, FIXED CARBON FILM	5.6K OHM 1/6 W 5% TA26	
		R547	LG0RD1202F608	RESISTOR, FIXED CARBON FILM	12K OHM 1/6 W 5% TA26	
		R548	LG0RD1003F608	RESISTOR, FIXED CARBON FILM	100K OHM 1/6 W 5% TA26	
		R550	LG0RD2200F608	RESISTOR, FIXED CARBON FILM	220 OHM 1/6 W 5% TA26	
		R553	LG0RD2200F608	RESISTOR, FIXED CARBON FILM	220 OHM 1/6 W 5% TA26	
		R555	LG0RD2200F608	RESISTOR, FIXED CARBON FILM	220 OHM 1/6 W 5% TA26	
		R556	LG0RD2202F608	RESISTOR, FIXED CARBON FILM	22K OHM 1/6 W 5% TA26	
		R557	LG0RD2702F608	RESISTOR, FIXED CARBON FILM	27K OHM 1/6 W 5% TA26	
		R558	LG0RD2202F608	RESISTOR, FIXED CARBON FILM	22K OHM 1/6 W 5% TA26	
		R559	LG0RD4701F608	RESISTOR, FIXED CARBON FILM	4.7K OHM 1/6 W 5% TA26	
		R560	LG0RD4701F608	RESISTOR, FIXED CARBON FILM	4.7K OHM 1/6 W 5% TA26	
		R561	LG0RD5600F608	RESISTOR, FIXED CARBON FILM	560 OHM 1/6 W 5% TA26	
		R562	LG0RD5600F608	RESISTOR, FIXED CARBON FILM	560 OHM 1/6 W 5% TA26	
		R563	LG0RD5601F608	RESISTOR, FIXED CARBON FILM	5.6K OHM 1/6 W 5% TA26	
		R564	LG0RD2702F608	RESISTOR, FIXED CARBON FILM	27K OHM 1/6 W 5% TA26	
		R566	LG0RD4701F608	RESISTOR, FIXED CARBON FILM	4.7K OHM 1/6 W 5% TA26	
		R567	LG0RD1002F608	RESISTOR, FIXED CARBON FILM	10K OHM 1/6 W 5% TA26	
		R568	LG0RD6802F608	RESISTOR, FIXED CARBON FILM	68K OHM 1/6 W 5% TA26	
		R569	LG0RD1004F608	RESISTOR, FIXED CARBON FILM	1M OHM 1/6 W 5% TA26	
		R570	LG0RD4701F608	RESISTOR, FIXED CARBON FILM	4.7K OHM 1/6 W 5% TA26	
		R575	LG0RD4701F608	RESISTOR, FIXED CARBON FILM	4.7K OHM 1/6 W 5% TA26	
		R576	LG0RD4701F608	RESISTOR, FIXED CARBON FILM	4.7K OHM 1/6 W 5% TA26	
		R577	LG0RD4701F608	RESISTOR, FIXED CARBON FILM	4.7K OHM 1/6 W 5% TA26	
		R578	LG0RD4701F608	RESISTOR, FIXED CARBON FILM	4.7K OHM 1/6 W 5% TA26	
		R579	LG0RD5602F608	RESISTOR, FIXED CARBON FILM	56K OHM 1/6 W 5% TA26	

VHR-H773EV

S	AL	LOCA. NO.	PART NO.	DESCRIPTION	SPECIFICATION	REMARKS
		R582	LG0RD1000F608	RESISTOR, FIXED CARBON FILM	100 OHM 1/6 W 5% TA26	
		R583	LG0RD1002F608	RESISTOR, FIXED CARBON FILM	10K OHM 1/6 W 5% TA26	
		R589	LG0RD1004F608	RESISTOR, FIXED CARBON FILM	1M OHM 1/6 W 5% TA26	
		R591	LG0RD1003F608	RESISTOR, FIXED CARBON FILM	100K OHM 1/6 W 5% TA26	
		R5A2	LG0RD1002F608	RESISTOR, FIXED CARBON FILM	10K OHM 1/6 W 5% TA26	
		R5A3	LG0RD1002F608	RESISTOR, FIXED CARBON FILM	10K OHM 1/6 W 5% TA26	
		R5A5	LG0RD4703F608	RESISTOR, FIXED CARBON FILM	470K OHM 1/6 W 5% TA26	
		R5B3	LG0RD1001F608	RESISTOR, FIXED CARBON FILM	1K OHM 1/6 W 5% TA26	
		R5B4	LG0RD1001F608	RESISTOR, FIXED CARBON FILM	1K OHM 1/6 W 5% TA26	
		R5B5	LG0RD1000F608	RESISTOR, FIXED CARBON FILM	100 OHM 1/6 W 5% TA26	
		R5C1	LG0RD1001F608	RESISTOR, FIXED CARBON FILM	1K OHM 1/6 W 5% TA26	
		R5C5	LG0RD1001F608	RESISTOR, FIXED CARBON FILM	1K OHM 1/6 W 5% TA26	
		R5C6	LG0RD1001F608	RESISTOR, FIXED CARBON FILM	1K OHM 1/6 W 5% TA26	
		R5C7	LG0RD1001F608	RESISTOR, FIXED CARBON FILM	1K OHM 1/6 W 5% TA26	
		R5C9	LG0RD1002F608	RESISTOR, FIXED CARBON FILM	10K OHM 1/6 W 5% TA26	
		R5G1	LG0RD4702F608	RESISTOR, FIXED CARBON FILM	47K OHM 1/6 W 5% TA26	
		R5G2	LG0RD1000F608	RESISTOR, FIXED CARBON FILM	100 OHM 1/6 W 5% TA26	
		R5G3	LG0RD1000F608	RESISTOR, FIXED CARBON FILM	100 OHM 1/6 W 5% TA26	
		R5G4	LG0RD1000F608	RESISTOR, FIXED CARBON FILM	100 OHM 1/6 W 5% TA26	
		R5P2	LG0RD1002F608	RESISTOR, FIXED CARBON FILM	10K OHM 1/6 W 5% TA26	
		R5P3	LG0RD1002F608	RESISTOR, FIXED CARBON FILM	10K OHM 1/6 W 5% TA26	
		R5R7	LG0RD3300F608	RESISTOR, FIXED CARBON FILM	330 OHM 1/6 W 5% TA26	
		R5R8	LG0RD1001F608	RESISTOR, FIXED CARBON FILM	1K OHM 1/6 W 5% TA26	
		R5S1	LG0RD5601F608	RESISTOR, FIXED CARBON FILM	5.6K OHM 1/6 W 5% TA26	
		R5T1	LG0RD1801F608	RESISTOR, FIXED CARBON FILM	1.8K OHM 1/6 W 5% TA26	
		R5T10	LG0RD1501F608	RESISTOR, FIXED CARBON FILM	1.5K OHM 1/6 W 5% TA26	
		R5T11	LG0RD1001F608	RESISTOR, FIXED CARBON FILM	1K OHM 1/6 W 5% TA26	
		R5T2	LG0RD1501F608	RESISTOR, FIXED CARBON FILM	1.5K OHM 1/6 W 5% TA26	
		R5T3	LG0RD2201F608	RESISTOR, FIXED CARBON FILM	2.2K OHM 1/6 W 5% TA26	
		R5T4	LG0RD2701F608	RESISTOR, FIXED CARBON FILM	2.7K OHM 1/6 W 5% TA26	
		R5T5	LG0RD3901F608	RESISTOR, FIXED CARBON FILM	3.9K OHM 1/6 W 5% TA26	
		R5T9	LG0RD1801F608	RESISTOR, FIXED CARBON FILM	1.8K OHM 1/6 W 5% TA26	
		R706	LG0RD2200F608	RESISTOR, FIXED CARBON FILM	220 OHM 1/6 W 5% TA26	
		R707	LG0RD2200F608	RESISTOR, FIXED CARBON FILM	220 OHM 1/6 W 5% TA26	
		R709	LG0RD1001F608	RESISTOR, FIXED CARBON FILM	1K OHM 1/6 W 5% TA26	
		R753	LG0RD1001F608	RESISTOR, FIXED CARBON FILM	1K OHM 1/6 W 5% TA26	
		R754	LG0RD3301F608	RESISTOR, FIXED CARBON FILM	3.3K OHM 1/6 W 5% TA26	
		R755	LG0RD3301F608	RESISTOR, FIXED CARBON FILM	3.3K OHM 1/6 W 5% TA26	
		R758	LG0RD4701F608	RESISTOR, FIXED CARBON FILM	4.7K OHM 1/6 W 5% TA26	
		R759	LG0RD5601F608	RESISTOR, FIXED CARBON FILM	5.6K OHM 1/6 W 5% TA26	
		R7M1	LG0RD1001F608	RESISTOR, FIXED CARBON FILM	1K OHM 1/6 W 5% TA26	
		R7M2	LG0RD2200F608	RESISTOR, FIXED CARBON FILM	220 OHM 1/6 W 5% TA26	
		R7M3	LG0RD1001F608	RESISTOR, FIXED CARBON FILM	1K OHM 1/6 W 5% TA26	
		R7M5	LG0RD2200F608	RESISTOR, FIXED CARBON FILM	220 OHM 1/6 W 5% TA26	
		R7V1	LG0RD1004F608	RESISTOR, FIXED CARBON FILM	1M OHM 1/6 W 5% TA26	
		R7V2	LG0RD1003F608	RESISTOR, FIXED CARBON FILM	100K OHM 1/6 W 5% TA26	
		R7V3	LG0RD6801F608	RESISTOR, FIXED CARBON FILM	6.8K OHM 1/6 W 5% TA26	
		R7V4	LG0RD5603F608	RESISTOR, FIXED CARBON FILM	560K OHM 1/6 W 5.00% TA26	
		R7V5	LG0RD6801F608	RESISTOR, FIXED CARBON FILM	6.8K OHM 1/6 W 5% TA26	
		R7V6	LG0RD5603F608	RESISTOR, FIXED CARBON FILM	560K OHM 1/6 W 5.00% TA26	
		R7V7	LG0RD4701F608	RESISTOR, FIXED CARBON FILM	4.7K OHM 1/6 W 5% TA26	
		R7V8	LG0RD1000F608	RESISTOR, FIXED CARBON FILM	100 OHM 1/6 W 5% TA26	
		R7V9	LG0RD1000F608	RESISTOR, FIXED CARBON FILM	100 OHM 1/6 W 5% TA26	
		R801	LG0RD4701F608	RESISTOR, FIXED CARBON FILM	4.7K OHM 1/6 W 5% TA26	
		R802	LG0RD4701F608	RESISTOR, FIXED CARBON FILM	4.7K OHM 1/6 W 5% TA26	
		R817	LG0RD3304F608	RESISTOR, FIXED CARBON FILM	3.3M OHM 1/6 W 5.00% TA26	
		R818	LG0RD3302F608	RESISTOR, FIXED CARBON FILM	33K OHM 1/6 W 5% TA26	
		R819	LG0RD2701F608	RESISTOR, FIXED CARBON FILM	2.7K OHM 1/6 W 5% TA26	
		R820	LG0RD3902F608	RESISTOR, FIXED CARBON FILM	39K OHM 1/6 W 5% TA26	



VHR-H773EV

S	AL	LOCA. NO.	PART NO.	DESCRIPTION	SPECIFICATION	REMARKS
		R821	LG0RD2701F608	RESISTOR, FIXED CARBON FILM	2.7K OHM 1/6 W 5% TA26	
		R822	LG0RD3302F608	RESISTOR, FIXED CARBON FILM	33K OHM 1/6 W 5% TA26	
		R823	LG0RD4700F608	RESISTOR, FIXED CARBON FILM	470 OHM 1/6 W 5% TA26	
		R824	LG0RD1000F608	RESISTOR, FIXED CARBON FILM	100 OHM 1/6 W 5% TA26	
		R825	LG0RD5600F608	RESISTOR, FIXED CARBON FILM	560 OHM 1/6 W 5% TA26	
		R826	LG0RD1801F608	RESISTOR, FIXED CARBON FILM	1.8K OHM 1/6 W 5% TA26	
		R827	LG0RD1001F608	RESISTOR, FIXED CARBON FILM	1K OHM 1/6 W 5% TA26	
		R828	LG0RD1001F608	RESISTOR, FIXED CARBON FILM	1K OHM 1/6 W 5% TA26	
		R830	LG0RD4701F608	RESISTOR, FIXED CARBON FILM	4.7K OHM 1/6 W 5% TA26	
		R831	LG0RD4701F608	RESISTOR, FIXED CARBON FILM	4.7K OHM 1/6 W 5% TA26	
		R8R1	LG0RD5600F608	RESISTOR, FIXED CARBON FILM	560 OHM 1/6 W 5% TA26	
		R8R2	LG0RD5600F608	RESISTOR, FIXED CARBON FILM	560 OHM 1/6 W 5% TA26	
		R901	LG0RD0752F608	RESISTOR, FIXED CARBON FILM	75 OHM 1/6 W 5.00% TA26	
		R902	LG0RD0752F608	RESISTOR, FIXED CARBON FILM	75 OHM 1/6 W 5.00% TA26	
		R903	LG0RD4701F608	RESISTOR, FIXED CARBON FILM	4.7K OHM 1/6 W 5% TA26	
		R904	LG0RD4702F608	RESISTOR, FIXED CARBON FILM	47K OHM 1/6 W 5% TA26	
		R905	LG0RD5600F608	RESISTOR, FIXED CARBON FILM	560 OHM 1/6 W 5% TA26	
		R906	LG0RD5600F608	RESISTOR, FIXED CARBON FILM	560 OHM 1/6 W 5% TA26	
		R911	LG0RD0752F608	RESISTOR, FIXED CARBON FILM	75 OHM 1/6 W 5.00% TA26	
		R912	LG0RD0752F608	RESISTOR, FIXED CARBON FILM	75 OHM 1/6 W 5.00% TA26	
		R913	LG0RD5600F608	RESISTOR, FIXED CARBON FILM	560 OHM 1/6 W 5% TA26	
		R914	LG0RD5600F608	RESISTOR, FIXED CARBON FILM	560 OHM 1/6 W 5% TA26	
		R943	LG0RD1501F608	RESISTOR, FIXED CARBON FILM	1.5K OHM 1/6 W 5% TA26	
		R964	LG0RD8200F608	RESISTOR, FIXED CARBON FILM	820 OHM 1/6 W 5% TA26	
		R965	LG0RD1001F608	RESISTOR, FIXED CARBON FILM	1K OHM 1/6 W 5% TA26	
		RC501	LG6712R1938GB	REMOTE CONTROLLER RECEIVER	TSOP2238WE1 VISHAY 37.9KHZ 19M	
		ES501	LG4931R-0050C	HOLDER ASSEMBLY	END (DI)	
		ES502	LG4931R-0050C	HOLDER ASSEMBLY	END (DI)	
	⚠	IC102	LG657-062B	SENSOR	PC123Y PHOTO-COUPLER(SARPH)	ALTERNATE
	⚠	IC102	LG6500RDB010A	SENSOR	PC123YN2 SHARP PHOTOCOUPLER	ALTERNATE
	⚠	IC102	LG657-063A	SENSOR	LTV-817B, PHOTO COUPLER(LITEON)	
		RS501	LG6500RAB003A	SENSOR	SG-260 KODENSHI D33 REEL SENSO	
		RS501	LG6500RAB007A	SENSOR	GP1S566V SHARP REEL SENSOR OF	ALTERNATE
		RS502	LG6500RAB003A	SENSOR	SG-260 KODENSHI D33 REEL SENSO	
		RS502	LG6500RAB007A	SENSOR	GP1S566V SHARP REEL SENSOR OF	ALTERNATE
		CS501	LG6600M000002	SWITCH, PUSH	MPU11810MLB0 MIC DC 5V 1MA D-3	
		MS501	LG6600JB8005B	SWITCH, MODE	NON 5V 1MA VERTICAL -G	
		MS501	LG6600JB8005C	SWITCH, MODE	MMS00721ZMB0 MIC 5VDC 1MA D-35	ALTERNATE
		SW5T1	LG556-213C	SWITCH, DETECTOR	THVV951BAA POSTECH DC 12 V 5-0	
		SW5T10	LG556-213C	SWITCH, DETECTOR	THVV951BAA POSTECH DC 12 V 5-0	
		SW5T11	LG556-213C	SWITCH, DETECTOR	THVV951BAA POSTECH DC 12 V 5-0	
		SW5T12	LG556-213C	SWITCH, DETECTOR	THVV951BAA POSTECH DC 12 V 5-0	
		SW5T13	LG556-213C	SWITCH, DETECTOR	THVV951BAA POSTECH DC 12 V 5-0	
		SW5T4	LG556-213C	SWITCH, DETECTOR	THVV951BAA POSTECH DC 12 V 5-0	
		SW5T5	LG556-213C	SWITCH, DETECTOR	THVV951BAA POSTECH DC 12 V 5-0	
		SW5T6	LG556-213C	SWITCH, DETECTOR	THVV951BAA POSTECH DC 12 V 5-0	
		SW5T7	LG556-213C	SWITCH, DETECTOR	THVV951BAA POSTECH DC 12 V 5-0	
	⚠	T101	LG642-015G	TRANSFORMER, SMPS[COIL]	SJE-015G/SHT-015G SJ/SH/CS/LSE	
		TU701	LG6700PFPG04F	TUNER	TCMK0601PD23C(GKI,SS) SS PAL F	ALTERNATE
		TU701	LG6700PFPL06F	TUNER	TADC-M401D(GKI, LGIT) LG INOTEK	
		X301	LG6202R2443AE	RESONATOR, CRYSTAL	HC49U SSANG TAE 4433709HZ 1	ALTERNATE
		X301	LG6202R2443AG	RESONATOR, CRYSTAL	HC49U SSANGTAE 4-433709MHZ	ALTERNATE
		X301	LG6202R2443AC	RESONATOR, CRYSTAL	HC49U BUBANG 4-433709MHZ 15	
		X501	LG6202R31001F	RESONATOR, CRYSTAL	HC-49S KEUMSEOK 10-0000MHZ 30P	ALTERNATE
		X501	LG6212AA2100C	RESONATOR, CRYSTAL	HC-49S BUBANG 10MHZ +/- 30 PPM	
		X502	LG529-001K	RESONATOR, CRYSTAL	- SEIKO 32-768KHZ - -	ALTERNATE
		X502	LG6202R-DA01A	RESONATOR, CRYSTAL	CFS-308 CITIZEN 32-768KHZ	
		X751	LG529-021Q	RESONATOR, CRYSTAL	49U BUBANG 18432000HZ 30PPM 16	
		X751	LG6212AA2184F	RESONATOR, CRYSTAL	HC-49U KYUNGIL 18.432MHZ +/- 3	ALTERNATE

VHR-H773EV

S	AL	LOCA. NO.	PART NO.	DESCRIPTION	SPECIFICATION	REMARKS
		ZD151	LG0DZ130009AB	DIODE,ZENERS	MTZ13C TP ROHM-K	
		ZD503	LG0DZ620009AB	DIODE,ZENERS	MTZ6.2C TP ROHM - - - - -	ALTERNATE
		ZD503	LG0DZ620009AM	DIODE,ZENERS	UZ-6.2BSC 26MM PYUNG CHANG TP	
		ZD801	LG0DZ562609BB	DIODE,ZENER	UZ-5.6BSB 26MM TP PYUNG CHANG	
		ZD802	LG0DZ562609BB	DIODE,ZENER	UZ-5.6BSB 26MM TP PYUNG CHANG	
		ZD803	LG0DZ130009AA	DIODE,ZENER	MTZ13A TP ROHM-K	
		ZD804	LG0DZ130009AA	DIODE,ZENER	MTZ13A TP ROHM-K	

NOTES) ⚠ Warning  
Parts that are shaded are critical  
With respect to risk of fire or  
electrical shock.

## SECTION 5 REPLACEMENT PARTS LIST

SANYO MODEL : VHR-M273SP(SPAIN)

NSP : Not available as service parts.

RUN DATE :13-FEB-03

S	AL	LOCA. NO.		DESCRIPTION	SPECIFICATION	REMARKS
<b>*** INDIVIDUAL PARTS ***</b>						
		250	LG3110R-0223G	CASE	VCR - TOP(0128 A288G SIDE SCRE	
		260	LG3210R-0023B	FRAME	MAIN (VII-PJT, 60HR)	NSP
	⚠	300	LG6410RCHP02B	POWER CORD	HIT-102/H0VHH2-F(WITH CORE) HI	
		330	LG3550R-0210A	COVER	BOTTOM(LARGE)	
		452	LG353-051A	SCREW	SPECIAL	
		457	LG353-051E	SCREW	SPECIAL (3X12)	
		462	LG353-136D	SCREW,DRAWING	+2 D4.0 L12.5 MSWR3/FN	
<b>*** PACKING ACCESSORY ***</b>						
		801	LG3835RP0090H	INSTRUCTION ASSEMBLY	VCR FCY201P	
		802	LG3890R-H536X	BOX(CARTON)	FCY201P NA6SSS SW3-A 0.858 3 F	
		803	LG3920R-0067A	PACKING	AF999NS 0.02 65 EPS 12 1190 23	
		804	LG292-053A	BAG	SOFT(VCP)	NSP
		808	LG534-002C	BATTERY,MANGANES	AAM UM-3 SEOTONG 1-5 V - LOL 1	NSP
		810	LG6851RP0003A	CABLE ASSY,RF	CABLE ASSY,RF/SCART/RCA USING	
<b>*** REMOTE CONTROLLER ***</b>						
		900	LG6711R1P043F	REMOTE CONTROLLER ASSEMBLY	N7 FCY201P NA6SSS SANYO W/O SH	
		910	LG3550R-0454A	COVER	BATTERY(N7 HIPS 60HR 89991)	
<b>*** PANEL ASSEMBLY , FRONT ***</b>						
		A43	LG3721R-F311D	PANEL ASSEMBLY,FRONT	VCR FCY201P NA6SSS FRONT(VHR-M	
		280	LG3720R-F701C	PANEL,VIDEO	VCR FCY201 MOLD FRONT(B589G)	NSP
		283	LG3580R-V020Z	DOOR,CASE	VCR FCY201P NA6SSS MOLD CST(M2	
		284	LG442-681A	SPRING	DOOR	
<b>*** DECK ASSEMBLY , VIDEO ***</b>						
		A00	LG6721RF0710B	DECK ASSEMBLY,VIDEO	D35(N) DI (2HD, NP, AHC(O), B/	NSP
		A01	LG6723R-0401B	DRUM(CIRC) ASSEMBLY	D35-2CH SP/EP (8M2)	
		A03	LG4261R-0025A	ARM ASSY	CLEANER	
		A04	LG4811RF0038A	BRACKET ASSEMBLY	L/D(S)	
		A04	LG4811RF0038B	BRACKET ASSEMBLY	L/D(M) - DI	ALTERNATE
		A11	LG4471R-0005A	GEAR ASSY	P3	
		A12	LG4471R-0004A	GEAR ASSY	P2	
		A21	LG4931R-0047A	HOLDER ASSY	CST	
		A22	LG4471R-0006A	GEAR ASSY	RACK F/L	
		A23	LG4261R-0023A	ARM ASSY	F/L	
		A24	LG4510R-0046A	LEVER	ASSY SWITCH	
		001	LG6723R-0304B	DRUM(CIRC) ASSEMBLY	SUB D35-2CH (8M2)	NSP
		002	LG4680R-B005A	MOTOR(MECH)	DRUM I2OAL05 SEJIN-SANKYO ICLE	
		002	LG4680R-B003B	MOTOR(MECH)	DRUM VH4301 KUMAGAYA DRUM MOTO	ALTERNATE
		002	LG4680R-B007A	MOTOR(MECH)	DRUM MDVC-035AA LGIT FOR D-35,	ALTERNATE
		002A	LG5202R00002C	BRUSH,CARBON	ASSY D33 (TIP+2 SPRING) 1.4,	
		003	LG4930R-0286A	HOLDER	FPCB(2CH)	
		004	LG5006R-0034A	CAP	FPC	
		006	LG4580R-0004A	ROLLER	CLEANER	NSP
		007	LG4260R-0039A	ARM	CLEANER	NSP
		008	LG6850R-HG18Z	CABLE,FLAT	P=1.25 FFC UL2896(0.05X0.8) 7	
		009	LG4260R-0038A	ARM	T/UP(D35)	
		010	LG4810R-0125A	BRACKET	CHASSIS	
		011	LG4261R-0022A	ARM ASSY	TENSION(D35)	

VHR-M273SP

S	AL	LOCA. NO.	PART NO.	DESCRIPTION	SPECIFICATION	REMARKS
		012	LG3041R-0037A	BASE ASSY	P2	
		013	LG3041R-0038A	BASE ASSY	P3	
		014	LG3041R-0039A	BASE ASSY	P4	
		015	LG5870R-0005A	OPENER	LID(D35)	
		016	LG3041R-0036A	BASE ASSEMBLY	A/C HEAD (ALPS)	
		017	LG4408R-0003A	REEL	S	
		018	LG4970R-0140A	SPRING	COIL RS D35	
		019	LG4421R-0008A	BRAKE ASSEMBLY	RS	
		020	LG4970R-0128A	SPRING	COIL D35 (TB)	
		021	LG4421R-0006A	BRAKE ASSY	T	
		022	LG6520D00001A	HEAD(CIRC)	D35 FE TDK FE HEAD	ALTERNATE
		022	LG6520D00002A	HEAD(CIRC)	D35 FE ST FE HEAD	
		023	LG3040R-0057A	BASE	LOADING	
		024	LG4261R-0029A	ARM ASSEMBLY	IDLER (N)	
		025	LG4810R-0118A	BRACKET	L/D(S)	NSP
		026	LG4680R-D002A	MOTOR(MECH)	LOADING MDB2B66 SANKYO D35 ASP	NSP
		027	LG4470R-0093A	GEAR	WHEEL	NSP
		028	LG4408R-0004A	REEL	T	
		029	LG4261R-0019A	ARM ASSEMBLY	DECK/MECHA PINCH	
		029	LG4261R-0019B	ARM ASSEMBLY	PINCH	ALTERNATE
		030	LG4510R-0043A	LEVER	T/UP	
		031	LG4970R-0123A	SPRING	COIL TENSION(D35)	
		032	LG3141R-0040A	CHASSIS ASSY	D35	NSP
		051	LG4400R-0005A	BELT	CAPSTAN	
		052	LG4680R-A006A	MOTOR(MECH)	CAPSTAN MCV-035AA LGIT BLDC 3	
		052	LG4680R-A007A	MOTOR(MECH)	CAPSTAN F2QVB06 SANKYO D35 ASR	
		052	LG4680R-A008A	MOTOR(MECH)	CAPSTAN SAMSUNG DMVCMC09L D35	
		052A	LG4980R-0023A	SUPPORTER	CAPSTAN(D35)	
		054	LG4470R-0100A	GEAR	RACK F/L	
		054A	LG4970R-0124B	SPRING	COIL D35 (RACK F/L)	
		055	LG4470R-0097A	GEAR	DRIVE(D35)	
		056	LG4470R-0096A	GEAR	CAM(D35)	
		060	LG4510R-0040A	LEVER	F/R(D35)	
		061	LG4265R-0006A	CLUTCH ASSEMBLY	D35 (N)	
		064	LG4470R-0098A	GEAR	SECTOR(D35)	
		065	LG4261R-0021A	ARM ASSY	P3	NSP
		066	LG4970R-0122A	SPRING	COIL D35	NSP
		067	LG4470R-0095A	GEAR	P3	NSP
		068	LG4470R-0094A	GEAR	P2	NSP
		069	LG4970R-0122A	SPRING	COIL D35	NSP
		070	LG4261R-0020A	ARM ASSY	P2	NSP
		076	LG4510R-0047A	LEVER	SPRING	
		077	LG3300R-M116A	PLATE	SLIDER	
		078	LG4510R-0041A	LEVER	TENSION	
		079	LG3040R-0056A	BASE	TENSION(D35)	
		100	LG3301R-M022A	PLATE ASSEMBLY	TOP	
		100A	LG3300R-0184A	PLATE	GND	
		100B	LG3300R-M118A	PLATE	TOP(D35)	
		102	LG4970R-0130A	SPRING	COIL D35 (STOPPER)	
		103	LG4930R-0276A	HOLDER	SIDE(L)	NSP
		105	LG4930R-0274A	HOLDER	CST	NSP
		106	LG4930R-0275A	HOLDER	SIDE(R)	NSP
		107	LG4510R-0044A	LEVER	STOPPER	NSP
		109	LG5870R-0004A	OPENER	DOOR	
		110	LG4260R-0035A	ARM	F/L(L)	NSP
		112	LG3070R-0002A	BODY	F/L	NSP
		113	LG4970R-0127A	SPRING	COIL D35 (F/L(R))	NSP
		114	LG4260R-0036A	ARM	F/L(R)	NSP
		115	LG4510R-0042A	LEVER	SWITCH	

VHR-M273SP

S	AL	LOCA. NO.	PART NO.	DESCRIPTION	SPECIFICATION	REMARKS
		116	LG4970R-0138A	SPRING	COIL D35 SWITCH	
		117	LG3300R-M137A	PLATE	SPRING CST	
		401	LG1MEC0261518	SCREW MACHINE,PAN HEAD SPR W	#NAME?	
		402	LG1MPC0261418	SCREW MACHINE,PAN HEAD	D 2.6 L 4.0 MSWR3/FZY	
		405	LG1SZZR-0031B	SCREW,DRAWING	+1 D2.6 L5.8 SWRCH16A/FZY TAP	
		406	LG1MEC0302018	PAN HEAD MACHINE SCREW S/W +	D 3.0 L 6.0 MSWR3/FZY	
		409	LG1SZZR-0032B	SCREW,DRAWING	+1 D2.6 L5.0 SWRCH18A/FZY TAP	
		410	LG1APF0262218	SCREW TAP TITE(B),PAN HEAD	#NAME?	
		517	LG1WZZR-0004D	WASHER	STOPPER	
		518	LG1WZZR-0004A	WASHER	STOPPER	
<b>*** BOARD ASSEMBLY , MAIN PAL SCART ***</b>						
		A46	LG3501R-7805C	BOARD ASSEMBLY	VCR SANYO PAL SCART	
		275	LG4930R-0102A	HOLDER	LED	
		320	LG3720R-D020B	PANEL	DISTRIBUTOR (PAL-SCART MONO)	
		323	LG3111R-0089C	CASE ASSEMBLY	VCR - PRE-AMP (02-PAL)	
⚠		C101	LG624-088K	CAPACITOR	ECQU2A104ML 0.1UF/275VAC 7.5 T	ALTERNATE
⚠		C101	LG624-088L	CAPACITOR,DRAWING	435D SUNIL ELECTRONICS 0.1UF/2	
⚠		C102	LG624-088K	CAPACITOR	ECQU2A104ML 0.1UF/275VAC 7.5 T	ALTERNATE
⚠		C102	LG624-088L	CAPACITOR,DRAWING	435D SUNIL ELECTRONICS 0.1UF/2	
		C103	LG0CE476CU611	CAPACITOR,AL.ELECTROLYTIC	47UF SHL,SD 400V M FL BK7.5	
		C105	LG0CQ1031Y519	CAPACITOR,POLYESTER	0.01UF D 630V K PE NI TP	
		C106	LG624-087B	CAPACITOR	HIGH-VOL 100P/1KV SMPS SAMHWA	
		C109	LG0CE1064K638	CAPACITOR,FIXED ELECTROLYTIC	10M SRA 50V M FM5 TP(5)	
⚠		C112	LG0CG3320U630	CAPACITOR,SEMI CERAMIC	3300 PF 400V M E R(NK,AD,SD)	
⚠		C112	LG0CG3320U632	CAPACITOR,FIXED CERAMIC(TEMP.C	3300PF D 400V 20% R Y ( N 800	ALTERNATE
⚠		C113	LG0CG3310U510	CAPACITOR,FIXED CERAMIC(TEMP.C	330PF D 400V 10% B(Y5P) R	
		C114	LG0CQ4732K409	CAPACITOR,FIXED FILM	0.047UF S 50V J PE TP	
		C115	LG624-085D	CAPACITOR	CE 47UF/50V KME (SMPS)	
		C116	LG0CE108BF630	CAPACITOR,FIXED ELECTROLYTIC	1000UF KME 16V M FM5 BULK	
		C117	LG624-082H	CAPACITOR	CE 1000UF/10V SHL(10*12.5)T/P	
		C120	LG0CE477BH630	CAPACITOR,AL.ELECTROLYTIC	470UF KME TYPE 25V M FM5 BULK	
		C121	LG0CE227CH618	CAPACITOR,FIXED ELECTROLYTIC	220UF SHL,SD 25V 20% FL TP 5	
		C127	LG0CN223AK948	CAPACITOR,TUBULAR(HIGH DIELEC)	0.022UF 50V Z F TA26 S	
		C135	LG0CN4710K518	CAPACITOR TUBULA(HIGH DIELE)	470P 50V K B TA26	
		C153	LG0CE1064F638	CAPACITOR,ELECTROLYTIC	10M SRA 16V M FM5 TP(5)	
		C190	LG0CE1064F638	CAPACITOR,ELECTROLYTIC	10M SRA 16V M FM5 TP(5)	
		C301	LG0CE4754K638	CAPACITOR,FIXED ELECTROLYTIC	4.7UF SRA,SS 50V 20% FM5 TP 5	
		C302	LG0CE2264F638	CAPACITOR,ELECTROLYTIC	22M SRA 16V M FM5 TP(5)	
		C303	LG0CN1220F668	CAPACITOR TUBULA(HIGH DIELE)	1200P 16V M X TA26	
		C304	LG0CE4764F638	CAPACITOR,ELECTROLYTIC	47M SRA/SS 16V M FM5 TP(5)	
		C305	LG0CN1030F678	CAPACITOR TUBULA(HIGH DIELE)	0.01M 16V M Y TA26	
		C306	LG0CN1220F668	CAPACITOR TUBULA(HIGH DIELE)	1200P 16V M X TA26	
		C307	LG0CE1054K638	CAPACITOR,ELECTROLYTIC	1.0M SRA/SS50V M FM5 TP(5)	
		C308	LG0CQ1532K409	CAPACITOR,FIXED FILM	0.015UF S 50V J PE TP	
		C309	LG0CN1210K518	CAPACITOR TUBULA(HIGH DIELE)	120P 50V K B TA26	
		C310	LG0CQ1032K409	CAPACITOR,POLYESTER(MYLAR)	0.01UF S 50V J PE TP	
		C311	LG0CE4765K618	CAPACITOR,AL.ELECTROLYTIC	47UF SR,SV 50V M FL TP 5	
		C312	LG0CN1030F678	CAPACITOR TUBULA(HIGH DIELE)	0.01M 16V M Y TA26	
		C313	LG0CQ2232L559	CAPACITOR,POLYESTER	0.022UF S 63V K PP NI TP5	
		C314	LG0CE2264F638	CAPACITOR,ELECTROLYTIC	22M SRA 16V M FM5 TP(5)	
		C315	LG0CE2253K636	CAPACITOR,FIXED ELECTROLYTIC	2.2UF SRE,SE 50V 20% FM5 BP(D)	
		C316	LG0CE1064F638	CAPACITOR,ELECTROLYTIC	10M SRA 16V M FM5 TP(5)	
		C317	LG0CN1030F678	CAPACITOR TUBULA(HIGH DIELE)	0.01M 16V M Y TA26	
		C318	LG0CE1054K638	CAPACITOR,ELECTROLYTIC	1.0M SRA/SS50V M FM5 TP(5)	
		C319	LG0CQ1032K409	CAPACITOR,POLYESTER(MYLAR)	0.01UF S 50V J PE TP	
		C320	LG0CE1054K638	CAPACITOR,ELECTROLYTIC	1.0M SRA/SS50V M FM5 TP(5)	
		C321	LG0CX6800K408	CAPACITOR TUBULA(T.C)	68P 50V J SL TA26	
		C322	LG0CE1064F638	CAPACITOR,ELECTROLYTIC	10M SRA 16V M FM5 TP(5)	
		C323	LG0CE1064F638	CAPACITOR,ELECTROLYTIC	10M SRA 16V M FM5 TP(5)	

VHR-M273SP

S	AL	LOCA. NO.	PART NO.	DESCRIPTION	SPECIFICATION	REMARKS
		C324	LG0CE4754K638	CAPACITOR, FIXED ELECTROLYTIC	4.7UF SRA, SS 50V 20% FM5 TP 5	
		C325	LG0CE1064F638	CAPACITOR, ELECTROLYTIC	10M SRA 16V M FM5 TP(5)	
		C326	LG0CN1030F678	CAPACITOR TUBULA(HIGH DIELE)	0.01M 16V M Y TA26	
		C327	LG0CE1054K638	CAPACITOR, ELECTROLYTIC	1.0M SRA/SS50V M FM5 TP(5)	
		C328	LG0CN1030F678	CAPACITOR TUBULA(HIGH DIELE)	0.01M 16V M Y TA26	
		C329	LG0CN1030F678	CAPACITOR TUBULA(HIGH DIELE)	0.01M 16V M Y TA26	
		C330	LG0CN1040K948	CAPACITOR, FIXED TUBULAR(High d	0.1UF D 50V 80%, -20% F(Y5V) TA	
		C331	LG0CE1064F638	CAPACITOR, ELECTROLYTIC	10M SRA 16V M FM5 TP(5)	
		C333	LG0CE4764F638	CAPACITOR, ELECTROLYTIC	47M SRA/SS 16V M FM5 TP(5)	
		C334	LG0CN4730K948	CAPACITOR, FIXED TUBULAR(High d	0.047UF D 50V 80%, -20% F(Y5V)	
		C335	LG0CN1030F678	CAPACITOR TUBULA(HIGH DIELE)	0.01M 16V M Y TA26	
		C336	LG0CE4764F638	CAPACITOR, ELECTROLYTIC	47M SRA/SS 16V M FM5 TP(5)	
		C337	LG0CE1054K638	CAPACITOR, ELECTROLYTIC	1.0M SRA/SS50V M FM5 TP(5)	
		C338	LG0CN4730K948	CAPACITOR, FIXED TUBULAR(High d	0.047UF D 50V 80%, -20% F(Y5V)	
		C339	LG0CE1054K638	CAPACITOR, ELECTROLYTIC	1.0M SRA/SS50V M FM5 TP(5)	
		C340	LG0CN4730K948	CAPACITOR, FIXED TUBULAR(High d	0.047UF D 50V 80%, -20% F(Y5V)	
		C341	LG0CN223AK948	CAPACITOR, TUBULAR(HIGH DIELEC)	0.022UF 50V Z F TA26 S	
		C342	LG0CN1040K948	CAPACITOR, FIXED TUBULAR(High d	0.1UF D 50V 80%, -20% F(Y5V) TA	
		C343	LG0CN4730K948	CAPACITOR, FIXED TUBULAR(High d	0.047UF D 50V 80%, -20% F(Y5V)	
		C344	LG0CN1010K518	CAPACITOR, TUBULAR(HIGH DIELEC)	100P 50V K B TA26	
		C345	LG0CN3330K518	CAPACITOR, FIXED TUBULAR(High d	0.033UF 50V K B TA26	
		C346	LG0CE4764F638	CAPACITOR, ELECTROLYTIC	47M SRA/SS 16V M FM5 TP(5)	
		C347	LG0CE1054K638	CAPACITOR, ELECTROLYTIC	1.0M SRA/SS50V M FM5 TP(5)	
		C348	LG0CE1054K638	CAPACITOR, ELECTROLYTIC	1.0M SRA/SS50V M FM5 TP(5)	
		C349	LG0CE4764F638	CAPACITOR, ELECTROLYTIC	47M SRA/SS 16V M FM5 TP(5)	
		C353	LG0CE1054K638	CAPACITOR, ELECTROLYTIC	1.0M SRA/SS50V M FM5 TP(5)	
		C355	LG0CN1040K948	CAPACITOR, FIXED TUBULAR(High d	0.1UF D 50V 80%, -20% F(Y5V) TA	
		C356	LG0CE1054K638	CAPACITOR, ELECTROLYTIC	1.0M SRA/SS50V M FM5 TP(5)	
		C357	LG0CE1054K638	CAPACITOR, ELECTROLYTIC	1.0M SRA/SS50V M FM5 TP(5)	
		C358	LG0CX6800K408	CAPACITOR TUBULA(T.C)	68P 50V J SL TA26	
		C359	LG0CE1054K638	CAPACITOR, ELECTROLYTIC	1.0M SRA/SS50V M FM5 TP(5)	
		C360	LG0CN1040K948	CAPACITOR, FIXED TUBULAR(High d	0.1UF D 50V 80%, -20% F(Y5V) TA	
		C361	LG0CN223AK948	CAPACITOR, TUBULAR(HIGH DIELEC)	0.022UF 50V Z F TA26 S	
		C362	LG0CE1064F638	CAPACITOR, ELECTROLYTIC	10M SRA 16V M FM5 TP(5)	
		C363	LG0CN1030F678	CAPACITOR TUBULA(HIGH DIELE)	0.01M 16V M Y TA26	
		C364	LG0CE4764F638	CAPACITOR, ELECTROLYTIC	47M SRA/SS 16V M FM5 TP(5)	
		C365	LG0CE1064F638	CAPACITOR, ELECTROLYTIC	10M SRA 16V M FM5 TP(5)	
		C366	LG0CN1040K948	CAPACITOR, FIXED TUBULAR(High d	0.1UF D 50V 80%, -20% F(Y5V) TA	
		C367	LG0CN1040K948	CAPACITOR, FIXED TUBULAR(High d	0.1UF D 50V 80%, -20% F(Y5V) TA	
		C368	LG0CQ8224K409	CAPACITOR, FIXED FILM	0.0082UF TE 50V 5% PE TP5	
		C369	LG0CN1010K518	CAPACITOR, TUBULAR(HIGH DIELEC)	100P 50V K B TA26	
		C370	LG0CN8200K418	CAPACITOR TUBULA(HIGH DIELE)	82P 50V J B TA26	
		C371	LG0CN8200K418	CAPACITOR TUBULA(HIGH DIELE)	82P 50V J B TA26	
		C372	LG0CN8200K418	CAPACITOR TUBULA(HIGH DIELE)	82P 50V J B TA26	
		C373	LG0CN1040K948	CAPACITOR, FIXED TUBULAR(High d	0.1UF D 50V 80%, -20% F(Y5V) TA	
		C375	LG0CN1020K518	CAPACITOR TUBULA(HIGH DIELE)	1000P 50V K B TA26	
		C500	LG0CE4775C638	CAPACITOR, FIXED ELECTROLYTIC	470UF SR, SV 6.3V 20% FM5 TP 5	
		C501	LG0CN1040K948	CAPACITOR, FIXED TUBULAR(High d	0.1UF D 50V 80%, -20% F(Y5V) TA	
		C502	LG0CE4764F638	CAPACITOR, ELECTROLYTIC	47M SRA/SS 16V M FM5 TP(5)	
		C503	LG0CE2274C638	CAPACITOR, ELECTROLYTIC	220M SRA 6.3V M FM5 TP(5)	
		C504	LG0CE2274C638	CAPACITOR, ELECTROLYTIC	220M SRA 6.3V M FM5 TP(5)	
		C505	LG0CE4764F638	CAPACITOR, ELECTROLYTIC	47M SRA/SS 16V M FM5 TP(5)	
		C506	LG0CN223AK948	CAPACITOR, TUBULAR(HIGH DIELEC)	0.022UF 50V Z F TA26 S	
		C508	LG0CN1030F678	CAPACITOR TUBULA(HIGH DIELE)	0.01M 16V M Y TA26	
		C509	LG0CC2200K415	CAPACITOR, CERAMIC(TEMP COMP)	22P 50V J NPO TS	
		C510	LG0CE2274C638	CAPACITOR, ELECTROLYTIC	220M SRA 6.3V M FM5 TP(5)	
		C511	LG0CN1040K948	CAPACITOR, FIXED TUBULAR(High d	0.1UF D 50V 80%, -20% F(Y5V) TA	
		C512	LG0CN1020K518	CAPACITOR TUBULA(HIGH DIELE)	1000P 50V K B TA26	
		C513	LG0CN1020K518	CAPACITOR TUBULA(HIGH DIELE)	1000P 50V K B TA26	

VHR-M273SP

S	AL	LOCA. NO.	PART NO.	DESCRIPTION	SPECIFICATION	REMARKS
		C514	LG0CC1200K415	CAPACITOR, FIXED CERAMIC (TEMP. C	12PF 2012 50V 5% NP0 TR	
		C515	LG0CC1500K415	CAPACITOR, CERAMIC (TEMP COMP)	15P 50V J NP0 TS	
		C516	LG0CN223AK948	CAPACITOR, TUBULAR (HIGH DIELEC)	0.022UF 50V Z F TA26 S	
		C518	LG0CN1030F678	CAPACITOR TUBULA (HIGH DIELE)	0.01M 16V M Y TA26	
		C519	LG0CN1040K948	CAPACITOR, FIXED TUBULAR (High d	0.1UF D 50V 80%, -20% F(Y5V) TA	
		C520	LG0CN1020K518	CAPACITOR TUBULA (HIGH DIELE)	1000P 50V K B TA26	
		C523	LG0CE2254K638	CAPACITOR, FIXED ELECTROLYTIC	2.2UF SRA, SS 50V 20% FM5 TP 5	
		C524	LG0CE4764F638	CAPACITOR, ELECTROLYTIC	47M SRA/SS 16V M FM5 TP(5)	
		C525	LG0CE2274C638	CAPACITOR, ELECTROLYTIC	220M SRA 6.3V M FM5 TP(5)	
		C526	LG0CE4764J638	CAPACITOR, AL. ELECTROLYTIC	47UF SRA, SS 35V M FM5 TP 5	
		C527	LG0CN2210K518	CAPACITOR TUBULA (HIGH DIELE)	220P 50V K B TA26	
		C533	LG0CN1020K518	CAPACITOR TUBULA (HIGH DIELE)	1000P 50V K B TA26	
		C534	LG0CE4754K638	CAPACITOR, FIXED ELECTROLYTIC	4.7UF SRA, SS 50V 20% FM5 TP 5	
		C535	LG0CE4754K638	CAPACITOR, FIXED ELECTROLYTIC	4.7UF SRA, SS 50V 20% FM5 TP 5	
		C543	LG0CN2220F668	CAPACITOR, TUBULAR (HIGH DIELEC)	2200P 16V M X TA26	
		C544	LG0CQ4732K409	CAPACITOR, FIXED FILM	0.047UF S 50V J PE TP	
		C545	LG0CN3330K518	CAPACITOR, FIXED TUBULAR (High d	0.033UF 50V K B TA26	
		C546	LG0CE4764J638	CAPACITOR, AL. ELECTROLYTIC	47UF SRA, SS 35V M FM5 TP 5	
		C547	LG0CN1030F678	CAPACITOR TUBULA (HIGH DIELE)	0.01M 16V M Y TA26	
		C551	LG0CQ3332K409	CAPACITOR, FIXED FILM	0.033UF S 50V J PE TP	
		C552	LG0CN1030F678	CAPACITOR TUBULA (HIGH DIELE)	0.01M 16V M Y TA26	
		C561	LG0CE2274C638	CAPACITOR, ELECTROLYTIC	220M SRA 6.3V M FM5 TP(5)	
		C564	LG0CN1020K518	CAPACITOR TUBULA (HIGH DIELE)	1000P 50V K B TA26	
		C567	LG0CN1020K518	CAPACITOR TUBULA (HIGH DIELE)	1000P 50V K B TA26	
		C570	LG0CC1500K415	CAPACITOR, CERAMIC (TEMP COMP)	15P 50V J NP0 TS	
		C571	LG0CC1500K415	CAPACITOR, CERAMIC (TEMP COMP)	15P 50V J NP0 TS	
		C575	LG0CN1020K518	CAPACITOR TUBULA (HIGH DIELE)	1000P 50V K B TA26	
		C576	LG0CC2700K415	CAPACITOR CERAMIC (TEMP COMP)	27P 50V J NP0 TP	
		C577	LG0CN223AK948	CAPACITOR, TUBULAR (HIGH DIELEC)	0.022UF 50V Z F TA26 S	
		C578	LG0CN2220F668	CAPACITOR, TUBULAR (HIGH DIELEC)	2200P 16V M X TA26	
		C581	LG0CN1030F678	CAPACITOR TUBULA (HIGH DIELE)	0.01M 16V M Y TA26	
		C582	LG0CN1030F678	CAPACITOR TUBULA (HIGH DIELE)	0.01M 16V M Y TA26	
		C583	LG0CN1040K948	CAPACITOR, FIXED TUBULAR (High d	0.1UF D 50V 80%, -20% F(Y5V) TA	
		C589	LG0CQ2232K409	CAPACITOR, FIXED FILM	0.022UF S 50V J PE TP	
		C596	LG0CN1040K948	CAPACITOR, FIXED TUBULAR (High d	0.1UF D 50V 80%, -20% F(Y5V) TA	
		C5A3	LG0CN1040K948	CAPACITOR, FIXED TUBULAR (High d	0.1UF D 50V 80%, -20% F(Y5V) TA	
		C5A4	LG0CN1030F678	CAPACITOR TUBULA (HIGH DIELE)	0.01M 16V M Y TA26	
		C5A5	LG0CE1054K638	CAPACITOR, ELECTROLYTIC	1.0M SRA/SS 50V M FM5 TP(5)	
		C5G1	LG0CN1020K518	CAPACITOR TUBULA (HIGH DIELE)	1000P 50V K B TA26	
		C5G2	LG0CE1086C638	CAPACITOR, FIXED ELECTROLYTIC	1000000000 PF SMS, SG 6.3V M FM	
		C5G3	LG0CN1040K948	CAPACITOR, FIXED TUBULAR (High d	0.1UF D 50V 80%, -20% F(Y5V) TA	
		C5K1	LG0CN1040K948	CAPACITOR, FIXED TUBULAR (High d	0.1UF D 50V 80%, -20% F(Y5V) TA	
		C5R1	LG0CE3364F638	CAPACITOR, ELECTROLYTIC	33M SRA 16V M FM5 TP(5)	
		C5R2	LG0CN6810K518	CAPACITOR TUBULA (HIGH DIELE)	680P 50V K B TA26	
		C5S1	LG0CX4300K408	CAPACITOR TUBULA (T.C)	43P 50V J SL TA26	
		C5S3	LG0CN223AK948	CAPACITOR, TUBULAR (HIGH DIELEC)	0.022UF 50V Z F TA26 S	
		C701	LG0CE4754K638	CAPACITOR, FIXED ELECTROLYTIC	4.7UF SRA, SS 50V 20% FM5 TP 5	
		C704	LG0CE4764F638	CAPACITOR, ELECTROLYTIC	47M SRA/SS 16V M FM5 TP(5)	
		C705	LG0CN1030F678	CAPACITOR TUBULA (HIGH DIELE)	0.01M 16V M Y TA26	
		C706	LG0CE4775C618	CAPACITOR, AL. ELECTROLYTIC	470UF SR, SV 6.3V M FL TP 5	
		C707	LG0CN1030F678	CAPACITOR TUBULA (HIGH DIELE)	0.01M 16V M Y TA26	
		C710	LG0CX6800K408	CAPACITOR TUBULA (T.C)	68P 50V J SL TA26	
		C711	LG0CX3300K408	CAPACITOR TUBULA (T.C)	33P 50V J SL TA26	
		C712	LG0CX5R60K508	CAPACITOR TUBULA (T.C)	5.6PF 50V K SL TA26	
		C713	LG0CE4764F638	CAPACITOR, ELECTROLYTIC	47M SRA/SS 16V M FM5 TP(5)	
		C714	LG0CN1030F678	CAPACITOR TUBULA (HIGH DIELE)	0.01M 16V M Y TA26	
		C770	LG0CN1020K518	CAPACITOR TUBULA (HIGH DIELE)	1000P 50V K B TA26	
		C790	LG0CN1030F678	CAPACITOR TUBULA (HIGH DIELE)	0.01M 16V M Y TA26	
		C7M2	LG0CE1064F638	CAPACITOR, ELECTROLYTIC	10M SRA 16V M FM5 TP(5)	

VHR-M273SP

S	AL	LOCA. NO.	PART NO.	DESCRIPTION	SPECIFICATION	REMARKS
		C7M6	LG0CX2700K408	CAPACITOR TUBULA(T.C)	27P 50V J SL TA26	
		C901	LG0CN1020K518	CAPACITOR TUBULA(HIGH DIELE)	1000P 50V K B TA26	
		C902	LG0CE477CF638	CAPACITOR,AL.ELECTROLYTIC	470UF SHL TYPE 16V M FM5 TP 5	
		C903	LG0CN1020K518	CAPACITOR TUBULA(HIGH DIELE)	1000P 50V K B TA26	
		C904	LG0CN1020K518	CAPACITOR TUBULA(HIGH DIELE)	1000P 50V K B TA26	
		C909	LG0CN1040K948	CAPACITOR,FIXED TUBULAR(High d	0.1UF D 50V 80%,-20% F(Y5V) TA	
		C911	LG0CN1020K518	CAPACITOR TUBULA(HIGH DIELE)	1000P 50V K B TA26	
		C912	LG0CE477CF638	CAPACITOR,AL.ELECTROLYTIC	470UF SHL TYPE 16V M FM5 TP 5	
		C914	LG0CN1020K518	CAPACITOR TUBULA(HIGH DIELE)	1000P 50V K B TA26	
		C915	LG0CN1040K948	CAPACITOR,FIXED TUBULAR(High d	0.1UF D 50V 80%,-20% F(Y5V) TA	
		C917	LG0CX2700K408	CAPACITOR TUBULA(T.C)	27P 50V J SL TA26	
		C920	LG0CN1040K948	CAPACITOR,FIXED TUBULAR(High d	0.1UF D 50V 80%,-20% F(Y5V) TA	
		C921	LG0CN1040K948	CAPACITOR,FIXED TUBULAR(High d	0.1UF D 50V 80%,-20% F(Y5V) TA	
		C956	LG0CE1054K638	CAPACITOR,ELECTROLYTIC	1.0M SRA/SS50V M FM5 TP(5)	
		C957	LG0CX2700K408	CAPACITOR TUBULA(T.C)	27P 50V J SL TA26	
		C960	LG0CN1040K948	CAPACITOR,FIXED TUBULAR(High d	0.1UF D 50V 80%,-20% F(Y5V) TA	
		C961	LG0CE1064F638	CAPACITOR,ELECTROLYTIC	10M SRA 16V M FM5 TP(5)	
		C9C1	LG0CE4754K638	CAPACITOR,FIXED ELECTROLYTIC	4.7UF SRA,SS 50V 20% FM5 TP 5	
		C9C2	LG0CE4754K638	CAPACITOR,FIXED ELECTROLYTIC	4.7UF SRA,SS 50V 20% FM5 TP 5	
		C9F1	LG0CN1020K518	CAPACITOR TUBULA(HIGH DIELE)	1000P 50V K B TA26	
		C9F2	LG0CN1020K518	CAPACITOR TUBULA(HIGH DIELE)	1000P 50V K B TA26	
		C9F3	LG0CN1040K948	CAPACITOR,FIXED TUBULAR(High d	0.1UF D 50V 80%,-20% F(Y5V) TA	
		C9F4	LG0CN1040K948	CAPACITOR,FIXED TUBULAR(High d	0.1UF D 50V 80%,-20% F(Y5V) TA	
		C9F5	LG0CN1040K948	CAPACITOR,FIXED TUBULAR(High d	0.1UF D 50V 80%,-20% F(Y5V) TA	
		C9M1	LG0CN1040K948	CAPACITOR,FIXED TUBULAR(High d	0.1UF D 50V 80%,-20% F(Y5V) TA	
		C9M3	LG0CN1040K948	CAPACITOR,FIXED TUBULAR(High d	0.1UF D 50V 80%,-20% F(Y5V) TA	
		C9M4	LG0CN1040K948	CAPACITOR,FIXED TUBULAR(High d	0.1UF D 50V 80%,-20% F(Y5V) TA	
		C9M5	LG0CN1040K948	CAPACITOR,FIXED TUBULAR(High d	0.1UF D 50V 80%,-20% F(Y5V) TA	
		C9M6	LG0CE1064F638	CAPACITOR,ELECTROLYTIC	10M SRA 16V M FM5 TP(5)	
		C9M7	LG0CE1064F638	CAPACITOR,ELECTROLYTIC	10M SRA 16V M FM5 TP(5)	
		C9M8	LG0CN1040K948	CAPACITOR,FIXED TUBULAR(High d	0.1UF D 50V 80%,-20% F(Y5V) TA	
		C9M9	LG0CN1040K948	CAPACITOR,FIXED TUBULAR(High d	0.1UF D 50V 80%,-20% F(Y5V) TA	
		C9S1	LG0CE1064F638	CAPACITOR,ELECTROLYTIC	10M SRA 16V M FM5 TP(5)	
		C9S2	LG0CE1064F638	CAPACITOR,ELECTROLYTIC	10M SRA 16V M FM5 TP(5)	
		C9S3	LG0CE1064F638	CAPACITOR,ELECTROLYTIC	10M SRA 16V M FM5 TP(5)	
		FL301	LG633-032K	COIL,IFT	BIAC OSC,1CHIP 5V(KS-75M) KWAN	
		L103	LG633-088G	COIL,CHOKE	CHOCK(22MH) 5MM TOKO TP	
		L104	LG633-088G	COIL,CHOKE	CHOCK(22MH) 5MM TOKO TP	
		L301	LG0LR0102J0N5	INDUCTOR,RADIAL LEAD	10UH 5% TP 3X5 TR5	
		L301	LG0LR0102K0P5	INDUCTOR,RADIAL LEAD	LF7.5N OEL 10UH 10% TP 4.8X4.0	ALTERNATE
		L301	LGGLR0102K0P5	INDUCTOR,RADIAL LEAD	LF7.5N OEL 10UH 10% TP 4.8X4.0	ALTERNATE
		L302	LG0LR1000K035	INDUCTOR RADIAL LEAD	100M K 6X6 L5 TP	
		L303	LG0LR0102J0N5	INDUCTOR,RADIAL LEAD	10UH 5% TP 3X5 TR5	
		L303	LGGLR0102K0P5	INDUCTOR,RADIAL LEAD	LF7.5N OEL 10UH 10% TP 4.8X4.0	ALTERNATE
		L303	LG0LR0102K0P5	INDUCTOR,RADIAL LEAD	LF7.5N OEL 10UH 10% TP 4.8X4.0	ALTERNATE
		L304	LG0LR0102J0N5	INDUCTOR,RADIAL LEAD	10UH 5% TP 3X5 TR5	
		L304	LGGLR0102K0P5	INDUCTOR,RADIAL LEAD	LF7.5N OEL 10UH 10% TP 4.8X4.0	ALTERNATE
		L304	LG0LR0102K0P5	INDUCTOR,RADIAL LEAD	LF7.5N OEL 10UH 10% TP 4.8X4.0	ALTERNATE
		L305	LG0LR1000K035	INDUCTOR RADIAL LEAD	100M K 6X6 L5 TP	
		L307	LG0LR0102J0N5	INDUCTOR,RADIAL LEAD	10UH 5% TP 3X5 TR5	
		L307	LGGLR0102K0P5	INDUCTOR,RADIAL LEAD	LF7.5N OEL 10UH 10% TP 4.8X4.0	ALTERNATE
		L307	LG0LR0102K0P5	INDUCTOR,RADIAL LEAD	LF7.5N OEL 10UH 10% TP 4.8X4.0	ALTERNATE
		L501	LG0LA0122K018	INDUCTOR AXIAL LEAD	12M K 2.3X3.4 L5 TP	
		L503	LG0LR1000K035	INDUCTOR RADIAL LEAD	100M K 6X6 L5 TP	
		L504	LG0LR0102J0N5	INDUCTOR,RADIAL LEAD	10UH 5% TP 3X5 TR5	
		L504	LG0LR0102K0P5	INDUCTOR,RADIAL LEAD	LF7.5N OEL 10UH 10% TP 4.8X4.0	ALTERNATE
		L505	LG0LR1000K035	INDUCTOR RADIAL LEAD	100M K 6X6 L5 TP	
		L506	LG635-027C	INDUCTOR,RADIAL LEAD	EL0405RA SKI150G-3 K-TDK 15UH	
		L5G2	LG0LR1500K035	INDUCTOR RADIAL LEAD	150M K 6X6 L5 TP	



VHR-M273SP

S	AL	LOCA. NO.	PART NO.	DESCRIPTION	SPECIFICATION	REMARKS
		L5S1	LG0LA0332K018	INDUCTOR AXIAL LEAD	33M K 2.3X3.4 L5 TP	
		L702	LG0LR1000K035	INDUCTOR RADIAL LEAD	100M K 6X6 L5 TP	
		L702	LGGLR1000K0P5	INDUCTOR,RADIAL LEAD	LF7.5N OEL 100UH 10% TP 4.8X4.	ALTERNATE
		L703	LG0LR1000K035	INDUCTOR RADIAL LEAD	100M K 6X6 L5 TP	
		L703	LGGLR1000K0P5	INDUCTOR,RADIAL LEAD	LF7.5N OEL 100UH 10% TP 4.8X4.	ALTERNATE
		L704	LG0LA0821K018	INDUCTOR AXIAL LEAD	8.2M K 2.3X3.4 L5 TP	
		L705	LG0LR1000K035	INDUCTOR RADIAL LEAD	100M K 6X6 L5 TP	
		L705	LGGLR1000K0P5	INDUCTOR,RADIAL LEAD	LF7.5N OEL 100UH 10% TP 4.8X4.	ALTERNATE
		L901	LG0LA1000K018	INDUCTOR AXIAL LEAD	100M K 2.3X3.4 L5 TP	
		L902	LG0LA1000K018	INDUCTOR AXIAL LEAD	100M K 2.3X3.4 L5 TP	
		L904	LG0LA1000K018	INDUCTOR AXIAL LEAD	100M K 2.3X3.4 L5 TP	
		L906	LG0LA1000K018	INDUCTOR AXIAL LEAD	100M K 2.3X3.4 L5 TP	
		L911	LG0LA1000K018	INDUCTOR AXIAL LEAD	100M K 2.3X3.4 L5 TP	
		L912	LG0LA1000K018	INDUCTOR AXIAL LEAD	100M K 2.3X3.4 L5 TP	
		L914	LG0LA1000K018	INDUCTOR AXIAL LEAD	100M K 2.3X3.4 L5 TP	
		L915	LG0LA1000K018	INDUCTOR AXIAL LEAD	100M K 2.3X3.4 L5 TP	
		L9F1	LG0LA1000K018	INDUCTOR AXIAL LEAD	100M K 2.3X3.4 L5 TP	
		L9F2	LG0LA1000K018	INDUCTOR AXIAL LEAD	100M K 2.3X3.4 L5 TP	
△		BD101	LG0DD160000DA	DIODE	S1WBA60(1A 600V) SHIDENKEN	
		D102	LG0DD010009CA	DIODE,RECTIFIER	EG01CW(R-FORM 5MM) TP SANKEN	
		D102	LG0DD221009AA	DIODE,RECTIFIERS	ERA22-10 KFLB,TP ,R T/P,FUJI	ALTERNATE
		D103	LG0DR180209AA	DIODE,RECTIFIER	ERA18-02KFRB TP FUJI DO204AL 2	
		D104	LG0DD133009AA	DIODE,SWITCHING	1SS133 DETECT,SW TP	
		D105	LG0DD010009AC	DIODE	EU01W(R-FORM) TP SANKEN	ALTERNATE
		D105	LG0DR104009BA	DIODE,RECTIFIER	RL104F TP RECTRON NON 400V 1A	
		D106	LG0DR810040BA	DIODE,RECTIFIER	ERC81-004L22 BK FUJI DO201AD 4	ALTERNATE
		D106	LG0DR158220AA	DIODE,RECTIFIER	1N5822 BK RECTRON DO201AD 40V	
		D109	LG0DR310000AA	DIODE,RECTIFIERS	RU3YXLF-C1 BK SANKEN D4 100V 2	ALTERNATE
		D109	LG0DR202000AB	DIODE,RECTIFIER	HER202 BK RECTRON NON 100V 2A	
		D155	LG0DD207000AB	DIODE,RECTIFIERS	2A07 2A RECT(T/S)P=12.5 F DELT	
		D156	LG0DD133009AA	DIODE,SWITCHING	1SS133 DETECT,SW TP	
		D159	LG0DD133009AA	DIODE,SWITCHING	1SS133 DETECT,SW TP	
		D160	LG0DD133009AA	DIODE,SWITCHING	1SS133 DETECT,SW TP	
		D301	LG0DD133009AA	DIODE,SWITCHING	1SS133 DETECT,SW TP	
		D502	LG0DD133009AA	DIODE,SWITCHING	1SS133 DETECT,SW TP	
		D509	LG0DD133009AA	DIODE,SWITCHING	1SS133 DETECT,SW TP	
		D901	LG0DD133009AA	DIODE,SWITCHING	1SS133 DETECT,SW TP	
		D902	LG0DD133009AA	DIODE,SWITCHING	1SS133 DETECT,SW TP	
		D903	LG0DD133009AA	DIODE,SWITCHING	1SS133 DETECT,SW TP	
		D9M1	LG0DD133009AA	DIODE,SWITCHING	1SS133 DETECT,SW TP	
		D9M2	LG0DD133009AA	DIODE,SWITCHING	1SS133 DETECT,SW TP	
△		L101	LG636-004C	FILTER(CIRC),EMC	BEAD CORE BFS3550R2FD8,R T/P	
		L102	LG616-145H	FILTER(CIRC)	SHT LFS2020V4-04350	
		L106	LG636-004C	FILTER(CIRC),EMC	BEAD CORE BFS3550R2FD8,R T/P	
		L905	LG636-004C	FILTER(CIRC),EMC	BEAD CORE BFS3550R2FD8,R T/P	
		L907	LG636-004C	FILTER(CIRC),EMC	BEAD CORE BFS3550R2FD8,R T/P	
		W588	LG636-004C	FILTER(CIRC),EMC	BEAD CORE BFS3550R2FD8,R T/P	
△		F101	LG585-011T	FUSE,SLOW BLOW	1600MA 250 V 5.2X20 CY/GL SEMK	
		F102	LGIRH200000B	IC,ROHM	ICP-N20 T104 TP IC DETACT	
△		IC101	LG0IPMGSK003A	IC,POWER MANAGEMENT	STR-A6351 SANKEN 8 DIP ST SMPS	
		IC103	LG0IKE431000A	IC,KEC	KIA431 3 PIN TP	
		IC301	LG0ILNRSA005B	IC,LINEAR	LA71750EM SANYO 100PIN QFP TRA	
		IC501	LG0IMCRHI027A	IC,MICRO CONTROLLER	HD64322197SA19F HITACHI 112PIN	
		IC503	LG0IAL241600B	IC,ATMEL	AT24C16 - - - -	
		IC503	LG0ICS241600B	IC,CATALYST	CAT24W16P 8P DIP ST 16K SERIAL	ALTERNATE
		IC504	LG0ISS753100A	IC,SAMSUNG ELECTRONICS	KA7531Z TO-92 TP 3.1V RESET	ALTERNATE
		IC504	LG0IKE703100A	IC,KEC	KIA7031P 3P 3.1V RESET(TAPING)	
		IC505	LG0IKE704200B	IC,KEC	KIA7042P 3P 4.2V RESET(TAPING)	
		IC506	LG0ILNRPY001A	IC,LINEAR	PT6955 PTC 24P SOP ST LED DRIV	

VHR-M273SP

S	AL	LOCA. NO.	PART NO.	DESCRIPTION	SPECIFICATION	REMARKS
		IC901	LG0IPRPM007A	IC,PERIPHERALS	MM1231XF MITSUMI 16PIN SOP ST	
		IC9F1	LG0IPRPM001A	IC,PERIPHERALS	MM1111XS MITSUMI 8 SIP ST AUDI	
		JK901	LG6620RM0002J	JACK,SCART	DSAM-0121 DOOWON 2F-21P(BL-BK)	
		JK9F3	LG6612R-C001D	JACK,RCA	DPAM-0153 DOOWON 2P YL/WH	
		LD501	LG4931R-0017C	HOLDER ASSY	LED(DI-CKD)LOCAL	
		LED501	LG6301R2U002D	LED ASSY	TOF-3462AGE-B OASIS UNIVERSAL	
		LED501	LG6301R3U002D	LED ASSEMBLY	ELF347GWB/S285 EVERLIGHT UNIVE	ALTERNATE
		Q151	LG0TR127309AA	TRANSISTOR	KTA1273-TP-Y (KTA966A)KEC	
		Q151	LG0TR928009AD	TRANSISTOR	KSA928A-Y,TO-92L TP SAMSUNG TO	ALTERNATE
		Q152	LG0TR127309AA	TRANSISTOR	KTA1273-TP-Y (KTA966A)KEC	
		Q152	LG0TR928009AD	TRANSISTOR	KSA928A-Y,TO-92L TP SAMSUNG TO	ALTERNATE
		Q154	LG0TR126809BA	TRANSISTOR,BIPOLARS	KTA1268-BL TP KEC	
		Q155	LG0TR320509AB	TRANSISTOR	KTC3205-TP-Y (KTC2236A)KEC	
		Q155	LG0TR232809AB	TRANSISTOR	KSC2328A-Y TP SAMSUNG TO-92L	ALTERNATE
		Q157	LG0TR100309AA	TRANSISTOR	KSR1003 TP (S/S)	ALTERNATE
		Q157	LG0TR120309AE	TRANSISTOR	SRC1203 TP AUK TO92 22K,22K	
		Q162	LG0TR534309BA	TRANSISTOR	2SC5343-L TP AUK TO92	
		Q163	LG0TR120109AC	TRANSISTOR	SRC1201 TP AUK TO92 4.7K,4.7K	
		Q164	LG0TR100309AA	TRANSISTOR	KSR1003 TP (S/S)	ALTERNATE
		Q164	LG0TR120309AE	TRANSISTOR	SRC1203 TP AUK TO92 22K,22K	
		Q165	LG0TR200309AA	TRANSISTOR	KSR2003TA TP FAIRCHILD TO92	ALTERNATE
		Q165	LG0TR220309AF	TRANSISTOR	SRA2203 TP AUK TO92 22K,22K	
		Q166	LG0TR127309AA	TRANSISTOR	KTA1273-TP-Y (KTA966A)KEC	
		Q166	LG0TR928009AD	TRANSISTOR	KSA928A-Y,TO-92L TP SAMSUNG TO	ALTERNATE
		Q301	LG0TR319809AC	TRANSISTOR	KTC3198-TP-BL (KTC1815)KEC	ALTERNATE
		Q301	LG0TR534309BA	TRANSISTOR	2SC5343-L TP AUK TO92	
		Q302	LG0TR198009CA	TRANSISTOR	2SA1980G TP AUK TO92	ALTERNATE
		Q303	LG0TR534309BA	TRANSISTOR	2SC5343-L TP AUK TO92	
		Q303	LG0TR534309BA	TRANSISTOR	2SC5343-L TP AUK TO92	
		Q304	LG0TR319809AC	TRANSISTOR	KTC3198-TP-BL (KTC1815)KEC	ALTERNATE
		Q304	LG0TR534309BA	TRANSISTOR	2SC5343-L TP AUK TO92	
		Q305	LG0TR198009CA	TRANSISTOR	2SA1980G TP AUK TO92	
		Q306	LG0TR320309AA	TRANSISTOR,BIPOLARS	KTC3203 KEC TP TO92 50V 150MA	ALTERNATE
		Q306	LG0TR534409AA	TRANSISTOR	2SC5344Y TP	
		Q307	LG0TR198009CA	TRANSISTOR	2SA1980G TP AUK TO92	
		Q308	LG0TR198009CA	TRANSISTOR	2SA1980G TP AUK TO92	
		Q309	LG0TR198009CA	TRANSISTOR	2SA1980G TP AUK TO92	
		Q501	LG0TR534309BA	TRANSISTOR	2SC5343-L TP AUK TO92	
		Q502	LG0TR534309BA	TRANSISTOR	2SC5343-L TP AUK TO92	
		Q503	LG0TR127309AA	TRANSISTOR	KTA1273-TP-Y (KTA966A)KEC	
		Q504	LG0TR534309BA	TRANSISTOR	2SC5343-L TP AUK TO92	
		Q514	LG0TR100309AA	TRANSISTOR	KSR1003 TP (S/S)	ALTERNATE
		Q514	LG0TR120309AE	TRANSISTOR	SRC1203 TP AUK TO92 22K,22K	
		Q515	LG0TR100309AA	TRANSISTOR	KSR1003 TP (S/S)	ALTERNATE
		Q515	LG0TR120309AE	TRANSISTOR	SRC1203 TP AUK TO92 22K,22K	
		Q5S1	LG0TR534309BA	TRANSISTOR	2SC5343-L TP AUK TO92	
		Q901	LG0TR100309AA	TRANSISTOR	KSR1003 TP (S/S)	ALTERNATE
		Q901	LG0TR120309AE	TRANSISTOR	SRC1203 TP AUK TO92 22K,22K	
		Q902	LG0TR200309AA	TRANSISTOR	KSR2003TA TP FAIRCHILD TO92	ALTERNATE
		Q902	LG0TR220309AF	TRANSISTOR	SRA2203 TP AUK TO92 22K,22K	
		Q903	LG0TR100309AA	TRANSISTOR	KSR1003 TP (S/S)	ALTERNATE
		Q903	LG0TR120309AE	TRANSISTOR	SRC1203 TP AUK TO92 22K,22K	
		Q906	LG0TR319809AC	TRANSISTOR	KTC3198-TP-BL (KTC1815)KEC	ALTERNATE
		Q906	LG0TR534309BA	TRANSISTOR	2SC5343-L TP AUK TO92	
		Q9M1	LG0TR319809AC	TRANSISTOR	KTC3198-TP-BL (KTC1815)KEC	ALTERNATE
		Q9M1	LG0TR534309BA	TRANSISTOR	2SC5343-L TP AUK TO92	
		Q9M2	LG0TR319809AC	TRANSISTOR	KTC3198-TP-BL (KTC1815)KEC	ALTERNATE
		Q9M2	LG0TR534309BA	TRANSISTOR	2SC5343-L TP AUK TO92	
		R101	LG614-007A	RESISTOR	2.7/2W CEMENT SMPS V	

VHR-M273SP

S	AL	LOCA. NO.	PART NO.	DESCRIPTION	SPECIFICATION	REMARKS
		R102	LG0RD1803F608	RESISTOR, FIXED CARBON FILM	180K OHM 1/6 W 0.05 TA26	
		R103	LG0RD0682F608	RESISTOR, FIXED CARBON FILM	68 OHM 1/6 W 5.00% TA26	
		R104	LG0RS5602K619	RESISTOR, FIXED METAL OXIDE FIL	56K OHM 2 W 5.00% TR	
		R105	LG0RF0101A619	RESISTOR, DRAWING	1 OHM 1/2 W(7.0) 5.00% TR	
		R106	LG0RD1803F608	RESISTOR, FIXED CARBON FILM	180K OHM 1/6 W 0.05 TA26	
		R109	LG0RS0350K619	RESISTOR, FIXED METAL OXIDE FIL	0.35 OHM 2 W 5.00% TR	
		R112	LG0RD1003F608	RESISTOR, FIXED CARBON FILM	100K OHM 1/6 W 5% TA26	
		R116	LG0RD2200F608	RESISTOR, FIXED CARBON FILM	220 OHM 1/6 W 5% TA26	
		R117	LG0RD2201F608	RESISTOR, FIXED CARBON FILM	2.2K OHM 1/6 W 5% TA26	
		R118	LG0RD1001F608	RESISTOR, FIXED CARBON FILM	1K OHM 1/6 W 5% TA26	
		R119	LG0RN3301F408	RESISTOR, FIXED METAL FILM	3.3K OHM 1/6 W 1% TA26	
		R120	LG0RN3001F408	RESISTOR, FIXED METAL FILM	3K OHM 1/6 W 1% TA26	
		R125	LG0RD4701F608	RESISTOR, FIXED CARBON FILM	4.7K OHM 1/6 W 5% TA26	
		R126	LG0RD6800F608	RESISTOR, FIXED CARBON FILM	680 OHM 1/6 W 5% TA26	
		R151	LG0RD1001F608	RESISTOR, FIXED CARBON FILM	1K OHM 1/6 W 5% TA26	
		R152	LG0RD3300F608	RESISTOR, FIXED CARBON FILM	330 OHM 1/6 W 5% TA26	
		R153	LG0RD1001F608	RESISTOR, FIXED CARBON FILM	1K OHM 1/6 W 5% TA26	
		R154	LG0RD3300F608	RESISTOR, FIXED CARBON FILM	330 OHM 1/6 W 5% TA26	
		R155	LG0RD3301F608	RESISTOR, FIXED CARBON FILM	3.3K OHM 1/6 W 5% TA26	
		R157	LG0RD1001F608	RESISTOR, FIXED CARBON FILM	1K OHM 1/6 W 5% TA26	
		R158	LG0RD1802F608	RESISTOR, FIXED CARBON FILM	18K OHM 1/6 W 5% TA26	
		R159	LG0RD4700F608	RESISTOR, FIXED CARBON FILM	470 OHM 1/6 W 5% TA26	
		R161	LG0RD4701F608	RESISTOR, FIXED CARBON FILM	4.7K OHM 1/6 W 5% TA26	
		R170	LG0RD5601F608	RESISTOR, FIXED CARBON FILM	5.6K OHM 1/6 W 5% TA26	
		R172	LG0RD2700F608	RESISTOR, FIXED CARBON FILM	270 OHM 1/6 W 5% TA26	
		R173	LG0RD2700F608	RESISTOR, FIXED CARBON FILM	270 OHM 1/6 W 5% TA26	
		R1B1	LG0RD1504H632	RESISTOR, FIXED CARBON FILM	1.5M OHM 1/2 W 5.00% MF10	
		R301	LG0RD5602F608	RESISTOR, FIXED CARBON FILM	56K OHM 1/6 W 5% TA26	
		R303	LG0RD1802F608	RESISTOR, FIXED CARBON FILM	18K OHM 1/6 W 5% TA26	
		R304	LG0RD1002F608	RESISTOR, FIXED CARBON FILM	10K OHM 1/6 W 5% TA26	
		R305	LG0RD1002F608	RESISTOR, FIXED CARBON FILM	10K OHM 1/6 W 5% TA26	
		R306	LG0RD2202F608	RESISTOR, FIXED CARBON FILM	22K OHM 1/6 W 5% TA26	
		R307	LG0RD2201F608	RESISTOR, FIXED CARBON FILM	2.2K OHM 1/6 W 5% TA26	
		R308	LG0RD4701F608	RESISTOR, FIXED CARBON FILM	4.7K OHM 1/6 W 5% TA26	
		R309	LG0RD1001F608	RESISTOR, FIXED CARBON FILM	1K OHM 1/6 W 5% TA26	
		R310	LG0RD4701F608	RESISTOR, FIXED CARBON FILM	4.7K OHM 1/6 W 5% TA26	
		R311	LG0RD1001F608	RESISTOR, FIXED CARBON FILM	1K OHM 1/6 W 5% TA26	
		R312	LG0RD6802F608	RESISTOR, FIXED CARBON FILM	68K OHM 1/6 W 5% TA26	
		R313	LG0RD0221F608	RESISTOR, FIXED CARBON FILM	2.2 OHM 1/6 W 5% TA26	
		R314	LG0RD1001F608	RESISTOR, FIXED CARBON FILM	1K OHM 1/6 W 5% TA26	
		R315	LG0RD0472F608	RESISTOR, FIXED CARBON FILM	47 OHM 1/6 W 5% TA26	
		R316	LG0RD1000F608	RESISTOR, FIXED CARBON FILM	100 OHM 1/6 W 5% TA26	
		R317	LG0RD5601F608	RESISTOR, FIXED CARBON FILM	5.6K OHM 1/6 W 5% TA26	
		R318	LG0RD3901F608	RESISTOR, FIXED CARBON FILM	3.9K OHM 1/6 W 5% TA26	
		R319	LG0RD5600F608	RESISTOR, FIXED CARBON FILM	560 OHM 1/6 W 5% TA26	
		R320	LG0RD1500F608	RESISTOR, FIXED CARBON FILM	150 OHM 1/6 W 5% TA26	
		R321	LG0RD1201F608	RESISTOR, FIXED CARBON FILM	1.2K OHM 1/6 W 5% TA26	
		R322	LG0RD1001F608	RESISTOR, FIXED CARBON FILM	1K OHM 1/6 W 5% TA26	
		R324	LG0RD3303F608	RESISTOR, FIXED CARBON FILM	330K OHM 1/6 W 5% TA26	
		R325	LG0RD4700F608	RESISTOR, FIXED CARBON FILM	470 OHM 1/6 W 5% TA26	
		R326	LG0RD1202F608	RESISTOR, FIXED CARBON FILM	12K OHM 1/6 W 5% TA26	
		R327	LG0RD5601F608	RESISTOR, FIXED CARBON FILM	5.6K OHM 1/6 W 5% TA26	
		R328	LG0RD2700F608	RESISTOR, FIXED CARBON FILM	270 OHM 1/6 W 5% TA26	
		R329	LG0RD1202F608	RESISTOR, FIXED CARBON FILM	12K OHM 1/6 W 5% TA26	
		R330	LG0RD1002F608	RESISTOR, FIXED CARBON FILM	10K OHM 1/6 W 5% TA26	
		R331	LG0RD4701F608	RESISTOR, FIXED CARBON FILM	4.7K OHM 1/6 W 5% TA26	
		R334	LG0RD2701F608	RESISTOR, FIXED CARBON FILM	2.7K OHM 1/6 W 5% TA26	
		R335	LG0RD6801F608	RESISTOR, FIXED CARBON FILM	6.8K OHM 1/6 W 5% TA26	
		R336	LG0RD1003F608	RESISTOR, FIXED CARBON FILM	100K OHM 1/6 W 5% TA26	

VHR-M273SP


S	AL	LOCA. NO.	PART NO.	DESCRIPTION	SPECIFICATION	REMARKS
		R337	LG0RD2201F608	RESISTOR, FIXED CARBON FILM	2.2K OHM 1/6 W 5% TA26	
		R338	LG0RD2700F608	RESISTOR, FIXED CARBON FILM	270 OHM 1/6 W 5% TA26	
		R339	LG0RD5600F608	RESISTOR, FIXED CARBON FILM	560 OHM 1/6 W 5% TA26	
		R340	LG0RD1802F608	RESISTOR, FIXED CARBON FILM	18K OHM 1/6 W 5% TA26	
		R342	LG0RD5600F608	RESISTOR, FIXED CARBON FILM	560 OHM 1/6 W 5% TA26	
		R343	LG0RD0752F608	RESISTOR, FIXED CARBON FILM	75 OHM 1/6 W 5.00% TA26	
		R344	LG0RD4700F608	RESISTOR, FIXED CARBON FILM	470 OHM 1/6 W 5% TA26	
		R345	LG0RD4700F608	RESISTOR, FIXED CARBON FILM	470 OHM 1/6 W 5% TA26	
		R346	LG0RD1000F608	RESISTOR, FIXED CARBON FILM	100 OHM 1/6 W 5% TA26	
		R347	LG0RD1000F608	RESISTOR, FIXED CARBON FILM	100 OHM 1/6 W 5% TA26	
		R349	LG0RD1801F608	RESISTOR, FIXED CARBON FILM	1.8K OHM 1/6 W 5% TA26	
		R350	LG0RD1002F608	RESISTOR, FIXED CARBON FILM	10K OHM 1/6 W 5% TA26	
		R351	LG0RD8203F608	RESISTOR, FIXED CARBON FILM	820K OHM 1/6 W 0.05 TA26	
		R3A1	LG0RD1002F608	RESISTOR, FIXED CARBON FILM	10K OHM 1/6 W 5% TA26	
		R501	LG0RD1000F608	RESISTOR, FIXED CARBON FILM	100 OHM 1/6 W 5% TA26	
		R502	LG0RD1000F608	RESISTOR, FIXED CARBON FILM	100 OHM 1/6 W 5% TA26	
		R503	LG0RD4701F608	RESISTOR, FIXED CARBON FILM	4.7K OHM 1/6 W 5% TA26	
		R504	LG0RD1001F608	RESISTOR, FIXED CARBON FILM	1K OHM 1/6 W 5% TA26	
		R505	LG0RD1001F608	RESISTOR, FIXED CARBON FILM	1K OHM 1/6 W 5% TA26	
		R506	LG0RD1002F608	RESISTOR, FIXED CARBON FILM	10K OHM 1/6 W 5% TA26	
		R507	LG0RD1002F608	RESISTOR, FIXED CARBON FILM	10K OHM 1/6 W 5% TA26	
		R508	LG0RD2201F608	RESISTOR, FIXED CARBON FILM	2.2K OHM 1/6 W 5% TA26	
		R509	LG0RD2201F608	RESISTOR, FIXED CARBON FILM	2.2K OHM 1/6 W 5% TA26	
		R510	LG0RD2201F608	RESISTOR, FIXED CARBON FILM	2.2K OHM 1/6 W 5% TA26	
		R511	LG0RD1001F608	RESISTOR, FIXED CARBON FILM	1K OHM 1/6 W 5% TA26	
		R512	LG0RD1001F608	RESISTOR, FIXED CARBON FILM	1K OHM 1/6 W 5% TA26	
		R513	LG0RD1001F608	RESISTOR, FIXED CARBON FILM	1K OHM 1/6 W 5% TA26	
		R514	LG0RD1203F608	RESISTOR, FIXED CARBON FILM	120K OHM 1/6 W 5% TA26	
		R515	LG0RD2700F608	RESISTOR, FIXED CARBON FILM	270 OHM 1/6 W 5% TA26	
		R516	LG0RD4703F608	RESISTOR, FIXED CARBON FILM	470K OHM 1/6 W 5% TA26	
		R517	LG0RD4700F608	RESISTOR, FIXED CARBON FILM	470 OHM 1/6 W 5% TA26	
		R518	LG0RD1001F608	RESISTOR, FIXED CARBON FILM	1K OHM 1/6 W 5% TA26	
		R520	LG0RD3901F608	RESISTOR, FIXED CARBON FILM	3.9K OHM 1/6 W 5% TA26	
		R521	LG0RD4701F608	RESISTOR, FIXED CARBON FILM	4.7K OHM 1/6 W 5% TA26	
		R522	LG0RD1001F608	RESISTOR, FIXED CARBON FILM	1K OHM 1/6 W 5% TA26	
		R523	LG0RD1002F608	RESISTOR, FIXED CARBON FILM	10K OHM 1/6 W 5% TA26	
		R524	LG0RD0222F608	RESISTOR, FIXED CARBON FILM	22 OHM 1/6 W 5% TA26	
		R525	LG0RD5601F608	RESISTOR, FIXED CARBON FILM	5.6K OHM 1/6 W 5% TA26	
		R526	LG0RD5601F608	RESISTOR, FIXED CARBON FILM	5.6K OHM 1/6 W 5% TA26	
		R527	LG0RD1002F608	RESISTOR, FIXED CARBON FILM	10K OHM 1/6 W 5% TA26	
		R528	LG0RD4701F608	RESISTOR, FIXED CARBON FILM	4.7K OHM 1/6 W 5% TA26	
		R529	LG0RD1002F608	RESISTOR, FIXED CARBON FILM	10K OHM 1/6 W 5% TA26	
		R530	LG0RD4701F608	RESISTOR, FIXED CARBON FILM	4.7K OHM 1/6 W 5% TA26	
		R531	LG0RD1002F608	RESISTOR, FIXED CARBON FILM	10K OHM 1/6 W 5% TA26	
		R535	LG0RD4703F608	RESISTOR, FIXED CARBON FILM	470K OHM 1/6 W 5% TA26	
		R542	LG0RD2201F608	RESISTOR, FIXED CARBON FILM	2.2K OHM 1/6 W 5% TA26	
		R543	LG0RD1000F608	RESISTOR, FIXED CARBON FILM	100 OHM 1/6 W 5% TA26	
		R544	LG0RD4701F608	RESISTOR, FIXED CARBON FILM	4.7K OHM 1/6 W 5% TA26	
		R546	LG0RD5601F608	RESISTOR, FIXED CARBON FILM	5.6K OHM 1/6 W 5% TA26	
		R547	LG0RD1202F608	RESISTOR, FIXED CARBON FILM	12K OHM 1/6 W 5% TA26	
		R548	LG0RD1003F608	RESISTOR, FIXED CARBON FILM	100K OHM 1/6 W 5% TA26	
		R550	LG0RD2200F608	RESISTOR, FIXED CARBON FILM	220 OHM 1/6 W 5% TA26	
		R553	LG0RD2200F608	RESISTOR, FIXED CARBON FILM	220 OHM 1/6 W 5% TA26	
		R555	LG0RD2200F608	RESISTOR, FIXED CARBON FILM	220 OHM 1/6 W 5% TA26	
		R556	LG0RD2202F608	RESISTOR, FIXED CARBON FILM	22K OHM 1/6 W 5% TA26	
		R557	LG0RD2702F608	RESISTOR, FIXED CARBON FILM	27K OHM 1/6 W 5% TA26	
		R558	LG0RD2202F608	RESISTOR, FIXED CARBON FILM	22K OHM 1/6 W 5% TA26	
		R559	LG0RD4701F608	RESISTOR, FIXED CARBON FILM	4.7K OHM 1/6 W 5% TA26	
		R560	LG0RD4701F608	RESISTOR, FIXED CARBON FILM	4.7K OHM 1/6 W 5% TA26	

VHR-M273SP

S	AL	LOCA. NO.	PART NO.	DESCRIPTION	SPECIFICATION	REMARKS
		R561	LG0RD5600F608	RESISTOR, FIXED CARBON FILM	560 OHM 1/6 W 5% TA26	
		R562	LG0RD5600F608	RESISTOR, FIXED CARBON FILM	560 OHM 1/6 W 5% TA26	
		R563	LG0RD5601F608	RESISTOR, FIXED CARBON FILM	5.6K OHM 1/6 W 5% TA26	
		R564	LG0RD2702F608	RESISTOR, FIXED CARBON FILM	27K OHM 1/6 W 5% TA26	
		R566	LG0RD4701F608	RESISTOR, FIXED CARBON FILM	4.7K OHM 1/6 W 5% TA26	
		R567	LG0RD1002F608	RESISTOR, FIXED CARBON FILM	10K OHM 1/6 W 5% TA26	
		R568	LG0RD6802F608	RESISTOR, FIXED CARBON FILM	68K OHM 1/6 W 5% TA26	
		R569	LG0RD1004F608	RESISTOR, FIXED CARBON FILM	1M OHM 1/6 W 5% TA26	
		R570	LG0RD4701F608	RESISTOR, FIXED CARBON FILM	4.7K OHM 1/6 W 5% TA26	
		R575	LG0RD4701F608	RESISTOR, FIXED CARBON FILM	4.7K OHM 1/6 W 5% TA26	
		R576	LG0RD4701F608	RESISTOR, FIXED CARBON FILM	4.7K OHM 1/6 W 5% TA26	
		R577	LG0RD4701F608	RESISTOR, FIXED CARBON FILM	4.7K OHM 1/6 W 5% TA26	
		R578	LG0RD4701F608	RESISTOR, FIXED CARBON FILM	4.7K OHM 1/6 W 5% TA26	
		R579	LG0RD5602F608	RESISTOR, FIXED CARBON FILM	56K OHM 1/6 W 5% TA26	
		R582	LG0RD1000F608	RESISTOR, FIXED CARBON FILM	100 OHM 1/6 W 5% TA26	
		R583	LG0RD1002F608	RESISTOR, FIXED CARBON FILM	10K OHM 1/6 W 5% TA26	
		R589	LG0RD1004F608	RESISTOR, FIXED CARBON FILM	1M OHM 1/6 W 5% TA26	
		R591	LG0RD1003F608	RESISTOR, FIXED CARBON FILM	100K OHM 1/6 W 5% TA26	
		R5A2	LG0RD1002F608	RESISTOR, FIXED CARBON FILM	10K OHM 1/6 W 5% TA26	
		R5A3	LG0RD1002F608	RESISTOR, FIXED CARBON FILM	10K OHM 1/6 W 5% TA26	
		R5A5	LG0RD4703F608	RESISTOR, FIXED CARBON FILM	470K OHM 1/6 W 5% TA26	
		R5B3	LG0RD1001F608	RESISTOR, FIXED CARBON FILM	1K OHM 1/6 W 5% TA26	
		R5B4	LG0RD1001F608	RESISTOR, FIXED CARBON FILM	1K OHM 1/6 W 5% TA26	
		R5B5	LG0RD1000F608	RESISTOR, FIXED CARBON FILM	100 OHM 1/6 W 5% TA26	
		R5C1	LG0RD1001F608	RESISTOR, FIXED CARBON FILM	1K OHM 1/6 W 5% TA26	
		R5C5	LG0RD1001F608	RESISTOR, FIXED CARBON FILM	1K OHM 1/6 W 5% TA26	
		R5C6	LG0RD1001F608	RESISTOR, FIXED CARBON FILM	1K OHM 1/6 W 5% TA26	
		R5C7	LG0RD1001F608	RESISTOR, FIXED CARBON FILM	1K OHM 1/6 W 5% TA26	
		R5C9	LG0RD1002F608	RESISTOR, FIXED CARBON FILM	10K OHM 1/6 W 5% TA26	
		R5G1	LG0RD4702F608	RESISTOR, FIXED CARBON FILM	47K OHM 1/6 W 5% TA26	
		R5G2	LG0RD1000F608	RESISTOR, FIXED CARBON FILM	100 OHM 1/6 W 5% TA26	
		R5G3	LG0RD1000F608	RESISTOR, FIXED CARBON FILM	100 OHM 1/6 W 5% TA26	
		R5G4	LG0RD1000F608	RESISTOR, FIXED CARBON FILM	100 OHM 1/6 W 5% TA26	
		R5P2	LG0RD1002F608	RESISTOR, FIXED CARBON FILM	10K OHM 1/6 W 5% TA26	
		R5P3	LG0RD1002F608	RESISTOR, FIXED CARBON FILM	10K OHM 1/6 W 5% TA26	
		R5R7	LG0RD3300F608	RESISTOR, FIXED CARBON FILM	330 OHM 1/6 W 5% TA26	
		R5R8	LG0RD1001F608	RESISTOR, FIXED CARBON FILM	1K OHM 1/6 W 5% TA26	
		R5S1	LG0RD5601F608	RESISTOR, FIXED CARBON FILM	5.6K OHM 1/6 W 5% TA26	
		R5T1	LG0RD1801F608	RESISTOR, FIXED CARBON FILM	1.8K OHM 1/6 W 5% TA26	
		R5T10	LG0RD1501F608	RESISTOR, FIXED CARBON FILM	1.5K OHM 1/6 W 5% TA26	
		R5T11	LG0RD1001F608	RESISTOR, FIXED CARBON FILM	1K OHM 1/6 W 5% TA26	
		R5T2	LG0RD1501F608	RESISTOR, FIXED CARBON FILM	1.5K OHM 1/6 W 5% TA26	
		R5T3	LG0RD2201F608	RESISTOR, FIXED CARBON FILM	2.2K OHM 1/6 W 5% TA26	
		R5T4	LG0RD2701F608	RESISTOR, FIXED CARBON FILM	2.7K OHM 1/6 W 5% TA26	
		R5T5	LG0RD3901F608	RESISTOR, FIXED CARBON FILM	3.9K OHM 1/6 W 5% TA26	
		R5T9	LG0RD1801F608	RESISTOR, FIXED CARBON FILM	1.8K OHM 1/6 W 5% TA26	
		R706	LG0RD2200F608	RESISTOR, FIXED CARBON FILM	220 OHM 1/6 W 5% TA26	
		R707	LG0RD2200F608	RESISTOR, FIXED CARBON FILM	220 OHM 1/6 W 5% TA26	
		R709	LG0RD1001F608	RESISTOR, FIXED CARBON FILM	1K OHM 1/6 W 5% TA26	
		R7M1	LG0RD1001F608	RESISTOR, FIXED CARBON FILM	1K OHM 1/6 W 5% TA26	
		R7M2	LG0RD2200F608	RESISTOR, FIXED CARBON FILM	220 OHM 1/6 W 5% TA26	
		R7M3	LG0RD1001F608	RESISTOR, FIXED CARBON FILM	1K OHM 1/6 W 5% TA26	
		R7M5	LG0RD2200F608	RESISTOR, FIXED CARBON FILM	220 OHM 1/6 W 5% TA26	
		R901	LG0RD0752F608	RESISTOR, FIXED CARBON FILM	75 OHM 1/6 W 5.00% TA26	
		R902	LG0RD0752F608	RESISTOR, FIXED CARBON FILM	75 OHM 1/6 W 5.00% TA26	
		R903	LG0RD4701F608	RESISTOR, FIXED CARBON FILM	4.7K OHM 1/6 W 5% TA26	
		R904	LG0RD4702F608	RESISTOR, FIXED CARBON FILM	47K OHM 1/6 W 5% TA26	
		R905	LG0RD5600F608	RESISTOR, FIXED CARBON FILM	560 OHM 1/6 W 5% TA26	
		R906	LG0RD5600F608	RESISTOR, FIXED CARBON FILM	560 OHM 1/6 W 5% TA26	

VHR-M273SP

S	AL	LOCA. NO.	PART NO.	DESCRIPTION	SPECIFICATION	REMARKS
		R911	LG0RD0752F608	RESISTOR, FIXED CARBON FILM	75 OHM 1/6 W 5.00% TA26	
		R912	LG0RD0752F608	RESISTOR, FIXED CARBON FILM	75 OHM 1/6 W 5.00% TA26	
		R913	LG0RD5600F608	RESISTOR, FIXED CARBON FILM	560 OHM 1/6 W 5% TA26	
		R914	LG0RD5600F608	RESISTOR, FIXED CARBON FILM	560 OHM 1/6 W 5% TA26	
		R943	LG0RD1501F608	RESISTOR, FIXED CARBON FILM	1.5K OHM 1/6 W 5% TA26	
		R964	LG0RD8200F608	RESISTOR, FIXED CARBON FILM	820 OHM 1/6 W 5% TA26	
		R965	LG0RD1001F608	RESISTOR, FIXED CARBON FILM	1K OHM 1/6 W 5% TA26	
		R9C1	LG0RD1202F608	RESISTOR, FIXED CARBON FILM	12K OHM 1/6 W 5% TA26	
		R9C2	LG0RD1002F608	RESISTOR, FIXED CARBON FILM	10K OHM 1/6 W 5% TA26	
		R9C3	LG0RD1501F608	RESISTOR, FIXED CARBON FILM	1.5K OHM 1/6 W 5% TA26	
		R9C4	LG0RD1501F608	RESISTOR, FIXED CARBON FILM	1.5K OHM 1/6 W 5% TA26	
		R9F1	LG0RD4701F608	RESISTOR, FIXED CARBON FILM	4.7K OHM 1/6 W 5% TA26	
		R9F3	LG0RD0752F608	RESISTOR, FIXED CARBON FILM	75 OHM 1/6 W 5.00% TA26	
		R9M1	LG0RD4702F608	RESISTOR, FIXED CARBON FILM	47K OHM 1/6 W 5% TA26	
		R9M2	LG0RD3901F608	RESISTOR, FIXED CARBON FILM	3.9K OHM 1/6 W 5% TA26	
		R9M3	LG0RD4702F608	RESISTOR, FIXED CARBON FILM	47K OHM 1/6 W 5% TA26	
		R9M4	LG0RD3901F608	RESISTOR, FIXED CARBON FILM	3.9K OHM 1/6 W 5% TA26	
		R9M5	LG0RD4701F608	RESISTOR, FIXED CARBON FILM	4.7K OHM 1/6 W 5% TA26	
		R9M6	LG0RD4701F608	RESISTOR, FIXED CARBON FILM	4.7K OHM 1/6 W 5% TA26	
		RC501	LG6712R1938GB	REMOTE CONTROLLER RECEIVER	TSOP2238WE1 VISHAY 37.9KHZ 19M	
		ES501	LG4931R-0050C	HOLDER ASSEMBLY	END (DI)	
		ES502	LG4931R-0050C	HOLDER ASSEMBLY	END (DI)	
		IC102	LG657-062B	SENSOR	PC123Y PHOTO-COUPLER(SARPH)	ALTERNATE
	⚠	IC102	LG6500RDB010A	SENSOR	PC123YN2 SHARP PHOTOCOUPLER	ALTERNATE
	⚠	IC102	LG657-063A	SENSOR	LTV-817B, PHOTO COUPLER(LITEON)	
		RS501	LG6500RAB003A	SENSOR	SG-260 KODENSHI D33 REEL SENSO	
		RS501	LG6500RAB007A	SENSOR	GP1S566V SHARP REEL SENSOR OF	ALTERNATE
		RS502	LG6500RAB003A	SENSOR	SG-260 KODENSHI D33 REEL SENSO	
		RS502	LG6500RAB007A	SENSOR	GP1S566V SHARP REEL SENSOR OF	ALTERNATE
		CS501	LG6600M000002	SWITCH, PUSH	MPU11810MLB0 MIC DC 5V 1MA D-3	
		MS501	LG6600JB8005B	SWITCH, MODE	NON 5V 1MA VERTICAL -G	
		MS501	LG6600JB8005C	SWITCH, MODE	MMS00721ZMB0 MIC 5VDC 1MA D-35	ALTERNATE
		SW5T1	LG556-213C	SWITCH, DETECTOR	THVV951BAA POSTECH DC 12 V 5-0	
		SW5T10	LG556-213C	SWITCH, DETECTOR	THVV951BAA POSTECH DC 12 V 5-0	
		SW5T11	LG556-213C	SWITCH, DETECTOR	THVV951BAA POSTECH DC 12 V 5-0	
		SW5T4	LG556-213C	SWITCH, DETECTOR	THVV951BAA POSTECH DC 12 V 5-0	
		SW5T5	LG556-213C	SWITCH, DETECTOR	THVV951BAA POSTECH DC 12 V 5-0	
		SW5T6	LG556-213C	SWITCH, DETECTOR	THVV951BAA POSTECH DC 12 V 5-0	
		SW5T7	LG556-213C	SWITCH, DETECTOR	THVV951BAA POSTECH DC 12 V 5-0	
	⚠	T101	LG642-015G	TRANSFORMER, SMPS[COIL]	SJE-015G/SHT-015G SJ/SH/CS/LSE	
		TU701	LG6700PFPL06B	TUNER	TADC-G401D(BG, LGIT) LG INOTEK	
		TU701	LG6700PFFPG04B	TUNER	TCMB0600PD15C- B/G SS PAL FS	ALTERNATE
		X301	LG6202R2443AE	RESONATOR, CRYSTAL	HC49U SSANG TAE 4433709HZ 1	ALTERNATE
		X301	LG6202R2443AC	RESONATOR, CRYSTAL	HC49U BUBANG 4-433709MHZ 15	
		X301	LG6202R2443AG	RESONATOR, CRYSTAL	HC49U SSANGTAE 4-433709MHZ	ALTERNATE
		X501	LG6202R31001F	RESONATOR, CRYSTAL	HC-49S KEUMSEOK 10-0000MHZ 30P	ALTERNATE
		X501	LG6212AA2100C	RESONATOR, CRYSTAL	HC-49S BUBANG 10MHZ +/- 30 PPM	
		X502	LG529-001K	RESONATOR, CRYSTAL	- SEIKO 32-768KHZ --	ALTERNATE
		X502	LG6202R-DA01A	RESONATOR, CRYSTAL	CFS-308 CITIZEN 32-768KHZ	
		ZD151	LG0DZ130009AB	DIODE, ZENERS	MTZ13C TP ROHM-K	
		ZD503	LG0DZ620009AB	DIODE, ZENERS	MTZ6.2C TP ROHM - - - - -	ALTERNATE
		ZD503	LG0DZ620009AM	DIODE, ZENERS	UZ-6.2BSC 26MM PYUNG CHANG TP	
<b>*** PWB(PCB) ASSEMBLY , TOTAL(LEFT KEY) ***</b>						
		A42	LG6871R-5882H	PWB(PCB) ASSEMBLY, TOTAL	FC PAL SANYO TOOL (LEFT KEY)	
		SW9Y6	LG556-219B	SWITCH, TACT	THVV502GAA POSTECH DC 12 V 5-	
		SW9Y6	LG556-282C	SWITCH, TACT	SKQNQED ALPS DC 12 V 50 MA TA	ALTERNATE
		SW9Y7	LG556-219B	SWITCH, TACT	THVV502GAA POSTECH DC 12 V 5-	
		SW9Y7	LG556-282C	SWITCH, TACT	SKQNQED ALPS DC 12 V 50 MA TA	ALTERNATE


NOTES)  Warning  
Parts that are shaded are critical  
With respect to risk of fire or  
electrical shock.

# SECTION 5 REPLACEMENT PARTS LIST

SANYO MODEL : VHR-H773SP(SPAIN)

NSP : Not available as service parts.

RUN DATE :13-FEB-03

S	AL	LOCA. NO.	PART NO.	DESCRIPTION	SPECIFICATION	REMARKS
<b>*** INDIVIDUAL PARTS ***</b>						
		250	LG3110R-0223G	CASE	VCR - TOP(0128 A288G SIDE SCRE	
		260	LG3210R-0023B	FRAME	MAIN (VII-PJT, 60HR)	NSP
		300	LG6410RCHP02B	POWER CORD	HIT-102/H0VHH2-F(WITH CORE) HI	
		330	LG3550R-0210A	COVER	BOTTOM(LARGE)	
		452	LG353-051A	SCREW	SPECIAL	
		457	LG353-051E	SCREW	SPECIAL (3X12)	
		462	LG353-136D	SCREW,DRAWING	+ 2 D4.0 L12.5 MSWR3/FN	
<b>*** PACKING ACCESSORY ***</b>						
		801	LG3835RP0090F	INSTRUCTION ASSEMBLY	VCR FCY901NP	
		802	LG3890R-H536Y	BOX(CARTON)	FCY901NP NA6SSS SW3-A 0.858 3	
		803	LG3920R-0067A	PACKING	AF999NS 0.02 65 EPS 12 1190 23	
		804	LG292-053A	BAG	SOFT(VCP)	NSP
		808	LG534-002C	BATTERY,MANGANESE	AAM UM-3 SEOTONG 1-5 V - LOL 1	NSP
		810	LG6851RP0003A	CABLE ASSY,RF	CABLE ASSY,RF/SCART/RCA USING	
<b>*** REMOTE CONTROLLER ***</b>						
		900	LG6711R1P043F	REMOTE CONTROLLER ASSEMBLY	N7 FCY201P NA6SSS SANYO W/O SH	
		910	LG3550R-0454A	COVER	BATTERY(N7 HIPS 60HR 89991)	
<b>*** PANEL ASSEMBLY , FRONT ***</b>						
		A43	LG3721R-F311F	PANEL ASSEMBLY,FRONT	VCR FCY901NP NA6SSS FRONT(VHR-	
		280	LG3720R-F701D	PANEL,VIDEO	VCR FCY901NP MOLD FRONT(B589G)	NSP
		283	LG3580R-V071A	DOOR,CASE	VCR FCY901NP NA6SSS MOLD CST(H	
		284	LG442-681A	SPRING	DOOR	
<b>*** DECK ASSEMBLY , VIDEO ***</b>						
		A00	LG6721RF0750B	DECK ASSEMBLY,VIDEO	D35(N) DI (4HF, PAL, AHC(O), B	NSP
		A01	LG6723R-0403C	DRUM(CIRC) ASSEMBLY	D35-6CH PAL (8P6C)	
		A03	LG4261R-0025A	ARM ASSY	CLEANER	
		A04	LG4811RF0038A	BRACKET ASSEMBLY	L/D(S)	
		A04	LG4811RF0038B	BRACKET ASSEMBLY	L/D(M) - DI	ALTERNATE
		A11	LG4471R-0005A	GEAR ASSY	P3	
		A12	LG4471R-0004A	GEAR ASSY	P2	
		A21	LG4931R-0047A	HOLDER ASSY	CST	
		A22	LG4471R-0006A	GEAR ASSY	RACK F/L	
		A23	LG4261R-0023A	ARM ASSY	F/L	
		A24	LG4510R-0046A	LEVER	ASSY SWITCH	
		001	LG6723R-0306C	DRUM(CIRC) ASSEMBLY	SUB D35-6CH (8P6C)	NSP
		002	LG4680R-B005A	MOTOR(MECH)	DRUM I2OAL05 SEJIN-SANKYO ICLE	
		002	LG4680R-B003B	MOTOR(MECH)	DRUM VH4301 KUMAGAYA DRUM MOTO	ALTERNATE
		002	LG4680R-B007A	MOTOR(MECH)	DRUM MDVC-035AA LGIT FOR D-35,	ALTERNATE
		002A	LG5202R00002C	BRUSH,CARBON	ASSY D33 (TIP+2 SPRING) 1.4,	
		003	LG4930R-0284A	HOLDER	FPC(6CH)	
		004	LG5006R-0034A	CAP	FPC	
		006	LG4580R-0004A	ROLLER	CLEANER	NSP
		007	LG4260R-0039A	ARM	CLEANER	NSP
		008	LG6850R-HG18Z	CABLE,FLAT	P=1.25 FFC UL2896(0.05X0.8) 7	
		009	LG4260R-0038A	ARM	T/UP(D35)	
		010	LG4810R-0125A	BRACKET	CHASSIS	

VHR-H773SP

S	AL	LOCA. NO.	PART NO.	DESCRIPTION	SPECIFICATION	REMARKS
		011	LG4261R-0022A	ARM ASSY	TENSION(D35)	
		012	LG3041R-0037A	BASE ASSY	P2	
		013	LG3041R-0038A	BASE ASSY	P3	
		014	LG3041R-0039A	BASE ASSY	P4	
		015	LG5870R-0005A	OPENER	LID(D35)	
		016	LG3041R-0036A	BASE ASSEMBLY	A/C HEAD (ALPS)	
		017	LG4408R-0003A	REEL	S	
		018	LG4970R-0140A	SPRING	COIL RS D35	
		019	LG4421R-0008A	BRAKE ASSEMBLY	RS	
		020	LG4970R-0128A	SPRING	COIL D35 (TB)	
		021	LG4421R-0006A	BRAKE ASSY	T	
		022	LG6520D00001A	HEAD(CIRC)	D35 FE TDK FE HEAD	ALTERNATE
		022	LG6520D00002A	HEAD(CIRC)	D35 FE ST FE HEAD	
		023	LG3040R-0057A	BASE	LOADING	
		024	LG4261R-0029A	ARM ASSEMBLY	IDLER (N)	
		025	LG4810R-0118A	BRACKET	L/D(S)	NSP
		026	LG4680R-D002A	MOTOR(MECH)	LOADING MDB2B66 SANKYO D35 ASP	NSP
		027	LG4470R-0093A	GEAR	WHEEL	NSP
		028	LG4408R-0004A	REEL	T	
		029	LG4261R-0019A	ARM ASSEMBLY	DECK/MECHA PINCH	
		029	LG4261R-0019B	ARM ASSEMBLY	PINCH	ALTERNATE
		030	LG4510R-0043A	LEVER	T/UP	
		031	LG4970R-0123A	SPRING	COIL TENSION(D35)	
		032	LG3141R-0040A	CHASSIS ASSY	D35	NSP
		051	LG4400R-0005A	BELT	CAPSTAN	
		052	LG4680R-A006A	MOTOR(MECH)	CAPSTAN MCV-035AA LGIT BLDC 3	ALTERNATE
		052	LG4680R-A007A	MOTOR(MECH)	CAPSTAN F2QVB06 SANKYO D35 ASR	
		052	LG4680R-A008A	MOTOR(MECH)	CAPSTAN SAMSUNG DMVCMC09L D35	ALTERNATE
		052A	LG4980R-0023A	SUPPORTER	CAPSTAN(D35)	
		054	LG4470R-0100A	GEAR	RACK F/L	
		054A	LG4970R-0124B	SPRING	COIL D35 (RACK F/L)	
		055	LG4470R-0097A	GEAR	DRIVE(D35)	
		056	LG4470R-0096A	GEAR	CAM(D35)	
		058	LG4421R-0007A	BRAKE ASSY	CAPSTAN	
		060	LG4510R-0040A	LEVER	F/R(D35)	
		061	LG4265R-0006A	CLUTCH ASSEMBLY	D35 (N)	
		064	LG4470R-0098A	GEAR	SECTOR(D35)	
		065	LG4261R-0021A	ARM ASSY	P3	NSP
		066	LG4970R-0122A	SPRING	COIL D35	NSP
		067	LG4470R-0095A	GEAR	P3	NSP
		068	LG4470R-0094A	GEAR	P2	NSP
		069	LG4970R-0122A	SPRING	COIL D35	NSP
		070	LG4261R-0020A	ARM ASSY	P2	NSP
		076	LG4510R-0047A	LEVER	SPRING	
		077	LG3300R-M116A	PLATE	SLIDER	
		078	LG4510R-0041A	LEVER	TENSION	
		079	LG3040R-0056A	BASE	TENSION(D35)	
		100	LG3301R-M022A	PLATE ASSEMBLY	TOP	
		100A	LG3300R-0184A	PLATE	GND	
		100B	LG3300R-M118A	PLATE	TOP(D35)	
		102	LG4970R-0130A	SPRING	COIL D35 (STOPPER)	
		103	LG4930R-0276A	HOLDER	SIDE(L)	NSP
		105	LG4930R-0274A	HOLDER	CST	NSP
		106	LG4930R-0275A	HOLDER	SIDE(R)	NSP
		107	LG4510R-0044A	LEVER	STOPPER	NSP
		109	LG5870R-0004A	OPENER	DOOR	
		110	LG4260R-0035A	ARM	F/L(L)	NSP
		112	LG3070R-0002A	BODY	F/L	NSP
		113	LG4970R-0127A	SPRING	COIL D35 (F/L(R))	NSP



VHR-H773SP

S	AL	LOCA. NO.	PART NO.	DESCRIPTION	SPECIFICATION	REMARKS
		114	LG4260R-0036A	ARM	F/L(R)	NSP
		115	LG4510R-0042A	LEVER	SWITCH	
		116	LG4970R-0138A	SPRING	COIL D35 SWITCH	
		117	LG3300R-M137A	PLATE	SPRING CST	
		401	LG1MEC0261518	SCREW MACHINE,PAN HEAD SPR W	#NAME?	
		402	LG1MPC0261418	SCREW MACHINE,PAN HEAD	D 2.6 L 4.0 MSWR3/FZY	
		405	LG1SZZR-0031B	SCREW,DRAWING	+ 1 D2.6 L5.8 SWRCH16A/FZY TAP	
		406	LG1MEC0302018	PAN HEAD MACHINE SCREW S/W +	D 3.0 L 6.0 MSWR3/FZY	
		409	LG1SZZR-0032B	SCREW,DRAWING	+ 1 D2.6 L5.0 SWRCH18A/FZY TAP	
		410	LG1APF0262218	SCREW TAP TITE(B),PAN HEAD	#NAME?	
		517	LG1WZZR-0004D	WASHER	STOPPER	
		518	LG1WZZR-0004A	WASHER	STOPPER	
<b>*** BOARD ASSEMBLY , MAIN PAL SCART ***</b>						
		A46	LG3501R-7805G	BOARD ASSEMBLY	VCR SANYO PAL SCART	
		275	LG4930R-0102A	HOLDER	LED	
		320	LG3720R-D020C	PANEL	VCR - DISTRIBUTOR (PAL-2SCART	
		323	LG3111R-0089C	CASE ASSEMBLY	VCR - PRE-AMP (02-PAL)	
	⚠	C101	LG624-088K	CAPACITOR	ECQU2A104ML 0.1UF/275VAC 7.5 T	ALTERNATE
	⚠	C101	LG624-088L	CAPACITOR,DRAWING	435D SUNIL ELECTRONICS 0.1UF/2	
	⚠	C102	LG624-088K	CAPACITOR	ECQU2A104ML 0.1UF/275VAC 7.5 T	ALTERNATE
	⚠	C102	LG624-088L	CAPACITOR,DRAWING	435D SUNIL ELECTRONICS 0.1UF/2	
		C103	LG0CE476CU611	CAPACITOR,AL.ELECTROLYTIC	47UF SHL,SD 400V M FL BK7.5	
		C105	LG0CQ1031Y519	CAPACITOR,POLYESTER	0.01UF D 630V K PE NI TP	
		C106	LG624-087B	CAPACITOR	HIGH-VOL 100P/1KV SMPS SAMHWA	
		C109	LG0CE1064K638	CAPACITOR,FIXED ELECTROLYTIC	10M SRA 50V M FM5 TP(5)	
	⚠	C112	LG0CG3320U630	CAPACITOR,SEMI CERAMIC	3300 PF 400V M E R(NK,AD,SD)	
	⚠	C112	LG0CG3320U632	CAPACITOR,FIXED CERAMIC(TEMP.C	3300PF D 400V 20% R Y ( N 800	ALTERNATE
	⚠	C113	LG0CG3310U510	CAPACITOR,FIXED CERAMIC(TEMP.C	330PF D 400V 10% B(Y5P) R	
		C114	LG0CQ4732K409	CAPACITOR,FIXED FILM	0.047UF S 50V J PE TP	
		C115	LG624-085D	CAPACITOR	CE 47UF/50V KME (SMPS)	
		C116	LG0CE108BF630	CAPACITOR,FIXED ELECTROLYTIC	1000UF KME 16V M FM5 BULK	
		C117	LG624-082H	CAPACITOR	CE 1000UF/10V SHL(10*12.5)T/P	
		C120	LG0CE477BH630	CAPACITOR,AL.ELECTROLYTIC	470UF KME TYPE 25V M FM5 BULK	
		C121	LG0CE227CH618	CAPACITOR,FIXED ELECTROLYTIC	220UF SHL,SD 25V 20% FL TP 5	
		C127	LG0CN223AK948	CAPACITOR,TUBULAR(HIGH DIELEC)	0.022UF 50V Z F TA26 S	
		C135	LG0CN4710K518	CAPACITOR TUBULA(HIGH DIELE)	470P 50V K B TA26	
		C153	LG0CE1064F638	CAPACITOR,ELECTROLYTIC	10M SRA 16V M FM5 TP(5)	
		C190	LG0CE1064F638	CAPACITOR,ELECTROLYTIC	10M SRA 16V M FM5 TP(5)	
		C301	LG0CE4754K638	CAPACITOR,FIXED ELECTROLYTIC	4.7UF SRA,SS 50V 20% FM5 TP 5	
		C302	LG0CE2264F638	CAPACITOR,ELECTROLYTIC	22M SRA 16V M FM5 TP(5)	
		C303	LG0CN1220F668	CAPACITOR TUBULA(HIGH DIELE)	1200P 16V M X TA26	
		C304	LG0CE4764F638	CAPACITOR,ELECTROLYTIC	47M SRA/SS 16V M FM5 TP(5)	
		C305	LG0CN1030F678	CAPACITOR TUBULA(HIGH DIELE)	0.01M 16V M Y TA26	
		C306	LG0CN1220F668	CAPACITOR TUBULA(HIGH DIELE)	1200P 16V M X TA26	
		C307	LG0CE1054K638	CAPACITOR,ELECTROLYTIC	1.0M SRA/SS50V M FM5 TP(5)	
		C308	LG0CQ1532K409	CAPACITOR,FIXED FILM	0.015UF S 50V J PE TP	
		C309	LG0CN1210K518	CAPACITOR TUBULA(HIGH DIELE)	120P 50V K B TA26	
		C310	LG0CQ1032K409	CAPACITOR,POLYESTER(MYLAR)	0.01UF S 50V J PE TP	
		C311	LG0CE4765K618	CAPACITOR,AL.ELECTROLYTIC	47UF SR,SV 50V M FL TP 5	
		C312	LG0CN1030F678	CAPACITOR TUBULA(HIGH DIELE)	0.01M 16V M Y TA26	
		C313	LG0CQ2232L559	CAPACITOR,POLYESTER	0.022UF S 63V K PP NI TP5	
		C314	LG0CE2264F638	CAPACITOR,ELECTROLYTIC	22M SRA 16V M FM5 TP(5)	
		C315	LG0CE2253K636	CAPACITOR,FIXED ELECTROLYTIC	2.2UF SRE,SE 50V 20% FM5 BP(D)	
		C316	LG0CE1064F638	CAPACITOR,ELECTROLYTIC	10M SRA 16V M FM5 TP(5)	
		C317	LG0CN1030F678	CAPACITOR TUBULA(HIGH DIELE)	0.01M 16V M Y TA26	
		C318	LG0CE1054K638	CAPACITOR,ELECTROLYTIC	1.0M SRA/SS50V M FM5 TP(5)	
		C319	LG0CQ1032K409	CAPACITOR,POLYESTER(MYLAR)	0.01UF S 50V J PE TP	
		C320	LG0CE1054K638	CAPACITOR,ELECTROLYTIC	1.0M SRA/SS50V M FM5 TP(5)	
		C321	LG0CX6800K408	CAPACITOR TUBULA(T.C)	68P 50V J SL TA26	

VHR-H773SP

S	AL	LOCA. NO.	PART NO.	DESCRIPTION	SPECIFICATION	REMARKS
		C322	LG0CE1064F638	CAPACITOR,ELECTROLYTIC	10M SRA 16V M FM5 TP(5)	
		C323	LG0CE1064F638	CAPACITOR,ELECTROLYTIC	10M SRA 16V M FM5 TP(5)	
		C324	LG0CE4754K638	CAPACITOR,FIXED ELECTROLYTIC	4.7UF SRA,SS 50V 20% FM5 TP 5	
		C325	LG0CE1064F638	CAPACITOR,ELECTROLYTIC	10M SRA 16V M FM5 TP(5)	
		C326	LG0CN1030F678	CAPACITOR TUBULA(HIGH DIELE)	0.01M 16V M Y TA26	
		C327	LG0CE1054K638	CAPACITOR,ELECTROLYTIC	1.0M SRA/SS50V M FM5 TP(5)	
		C328	LG0CN1030F678	CAPACITOR TUBULA(HIGH DIELE)	0.01M 16V M Y TA26	
		C329	LG0CN1030F678	CAPACITOR TUBULA(HIGH DIELE)	0.01M 16V M Y TA26	
		C330	LG0CN1040K948	CAPACITOR,FIXED TUBULAR(High d	0.1UF D 50V 80%,-20% F(Y5V) TA	
		C331	LG0CE1064F638	CAPACITOR,ELECTROLYTIC	10M SRA 16V M FM5 TP(5)	
		C333	LG0CE4764F638	CAPACITOR,ELECTROLYTIC	47M SRA/SS 16V M FM5 TP(5)	
		C334	LG0CN4730K948	CAPACITOR,FIXED TUBULAR(High d	0.047UF D 50V 80%,-20% F(Y5V)	
		C335	LG0CN1030F678	CAPACITOR TUBULA(HIGH DIELE)	0.01M 16V M Y TA26	
		C336	LG0CE4764F638	CAPACITOR,ELECTROLYTIC	47M SRA/SS 16V M FM5 TP(5)	
		C337	LG0CE1054K638	CAPACITOR,ELECTROLYTIC	1.0M SRA/SS50V M FM5 TP(5)	
		C338	LG0CN4730K948	CAPACITOR,FIXED TUBULAR(High d	0.047UF D 50V 80%,-20% F(Y5V)	
		C339	LG0CE1054K638	CAPACITOR,ELECTROLYTIC	1.0M SRA/SS50V M FM5 TP(5)	
		C340	LG0CN4730K948	CAPACITOR,FIXED TUBULAR(High d	0.047UF D 50V 80%,-20% F(Y5V)	
		C341	LG0CN223AK948	CAPACITOR,TUBULAR(HIGH DIELEC)	0.022UF 50V Z F TA26 S	
		C342	LG0CN1040K948	CAPACITOR,FIXED TUBULAR(High d	0.1UF D 50V 80%,-20% F(Y5V) TA	
		C343	LG0CN4730K948	CAPACITOR,FIXED TUBULAR(High d	0.047UF D 50V 80%,-20% F(Y5V)	
		C344	LG0CN1010K518	CAPACITOR,TUBULAR(HIGH DIELEC)	100P 50V K B TA26	
		C345	LG0CN3330K518	CAPACITOR,FIXED TUBULAR(High d	0.033UF 50V K B TA26	
		C346	LG0CE4764F638	CAPACITOR,ELECTROLYTIC	47M SRA/SS 16V M FM5 TP(5)	
		C347	LG0CE1054K638	CAPACITOR,ELECTROLYTIC	1.0M SRA/SS50V M FM5 TP(5)	
		C348	LG0CE1054K638	CAPACITOR,ELECTROLYTIC	1.0M SRA/SS50V M FM5 TP(5)	
		C349	LG0CE4764F638	CAPACITOR,ELECTROLYTIC	47M SRA/SS 16V M FM5 TP(5)	
		C353	LG0CE1054K638	CAPACITOR,ELECTROLYTIC	1.0M SRA/SS50V M FM5 TP(5)	
		C355	LG0CN1040K948	CAPACITOR,FIXED TUBULAR(High d	0.1UF D 50V 80%,-20% F(Y5V) TA	
		C356	LG0CE1054K638	CAPACITOR,ELECTROLYTIC	1.0M SRA/SS50V M FM5 TP(5)	
		C357	LG0CE1054K638	CAPACITOR,ELECTROLYTIC	1.0M SRA/SS50V M FM5 TP(5)	
		C358	LG0CX6800K408	CAPACITOR TUBULA(T.C)	68P 50V J SL TA26	
		C359	LG0CE1054K638	CAPACITOR,ELECTROLYTIC	1.0M SRA/SS50V M FM5 TP(5)	
		C360	LG0CN1040K948	CAPACITOR,FIXED TUBULAR(High d	0.1UF D 50V 80%,-20% F(Y5V) TA	
		C361	LG0CN223AK948	CAPACITOR,TUBULAR(HIGH DIELEC)	0.022UF 50V Z F TA26 S	
		C362	LG0CE1064F638	CAPACITOR,ELECTROLYTIC	10M SRA 16V M FM5 TP(5)	
		C363	LG0CN1030F678	CAPACITOR TUBULA(HIGH DIELE)	0.01M 16V M Y TA26	
		C364	LG0CE4764F638	CAPACITOR,ELECTROLYTIC	47M SRA/SS 16V M FM5 TP(5)	
		C365	LG0CE1064F638	CAPACITOR,ELECTROLYTIC	10M SRA 16V M FM5 TP(5)	
		C366	LG0CN1040K948	CAPACITOR,FIXED TUBULAR(High d	0.1UF D 50V 80%,-20% F(Y5V) TA	
		C367	LG0CN1040K948	CAPACITOR,FIXED TUBULAR(High d	0.1UF D 50V 80%,-20% F(Y5V) TA	
		C368	LG0CQ8224K409	CAPACITOR,FIXED FILM	0.0082UF TE 50V 5% PE TP5	
		C369	LG0CN1010K518	CAPACITOR,TUBULAR(HIGH DIELEC)	100P 50V K B TA26	
		C370	LG0CN8200K418	CAPACITOR TUBULA(HIGH DIELE)	82P 50V J B TA26	
		C371	LG0CN8200K418	CAPACITOR TUBULA(HIGH DIELE)	82P 50V J B TA26	
		C372	LG0CN8200K418	CAPACITOR TUBULA(HIGH DIELE)	82P 50V J B TA26	
		C373	LG0CN1040K948	CAPACITOR,FIXED TUBULAR(High d	0.1UF D 50V 80%,-20% F(Y5V) TA	
		C375	LG0CN1020K518	CAPACITOR TUBULA(HIGH DIELE)	1000P 50V K B TA26	
		C500	LG0CE4775C638	CAPACITOR,FIXED ELECTROLYTIC	470UF SR,SV 6.3V 20% FM5 TP 5	
		C501	LG0CN1040K948	CAPACITOR,FIXED TUBULAR(High d	0.1UF D 50V 80%,-20% F(Y5V) TA	
		C502	LG0CE4764F638	CAPACITOR,ELECTROLYTIC	47M SRA/SS 16V M FM5 TP(5)	
		C503	LG0CE2274C638	CAPACITOR,ELECTROLYTIC	220M SRA 6.3V M FM5 TP(5)	
		C504	LG0CE2274C638	CAPACITOR,ELECTROLYTIC	220M SRA 6.3V M FM5 TP(5)	
		C505	LG0CE4764F638	CAPACITOR,ELECTROLYTIC	47M SRA/SS 16V M FM5 TP(5)	
		C506	LG0CN223AK948	CAPACITOR,TUBULAR(HIGH DIELEC)	0.022UF 50V Z F TA26 S	
		C508	LG0CN1030F678	CAPACITOR TUBULA(HIGH DIELE)	0.01M 16V M Y TA26	
		C509	LG0CC2200K415	CAPACITOR,CERAMIC(TEMP COMP)	22P 50V J NP0 TS	
		C510	LG0CE2274C638	CAPACITOR,ELECTROLYTIC	220M SRA 6.3V M FM5 TP(5)	
		C511	LG0CN1040K948	CAPACITOR,FIXED TUBULAR(High d	0.1UF D 50V 80%,-20% F(Y5V) TA	

VHR-H773SP

S	AL	LOCA. NO.	PART NO.	DESCRIPTION	SPECIFICATION	REMARKS
		C512	LG0CN1020K518	CAPACITOR TUBULA(HIGH DIELE)	1000P 50V K B TA26	
		C513	LG0CN1020K518	CAPACITOR TUBULA(HIGH DIELE)	1000P 50V K B TA26	
		C514	LG0CC1200K415	CAPACITOR,FIXED CERAMIC(TEMP.C	12PF 2012 50V 5% NP0 TR	
		C515	LG0CC1500K415	CAPACITOR,CERAMIC(TEMP COMP)	15P 50V J NP0 TS	
		C516	LG0CN223AK948	CAPACITOR,TUBULAR(HIGH DIELEC)	0.022UF 50V Z F TA26 S	
		C518	LG0CN1030F678	CAPACITOR TUBULA(HIGH DIELE)	0.01M 16V M Y TA26	
		C519	LG0CN1040K948	CAPACITOR,FIXED TUBULAR(High d	0.1UF D 50V 80%,-20% F(Y5V) TA	
		C520	LG0CN1020K518	CAPACITOR TUBULA(HIGH DIELE)	1000P 50V K B TA26	
		C523	LG0CE2254K638	CAPACITOR,FIXED ELECTROLYTIC	2.2UF SRA,SS 50V 20% FM5 TP 5	
		C524	LG0CE4764F638	CAPACITOR,ELECTROLYTIC	47M SRA/SS 16V M FM5 TP(5)	
		C525	LG0CE2274C638	CAPACITOR,ELECTROLYTIC	220M SRA 6.3V M FM5 TP(5)	
		C526	LG0CE4764J638	CAPACITOR,AL.ELECTROLYTIC	47UF SRA,SS 35V M FM5 TP 5	
		C527	LG0CN2210K518	CAPACITOR TUBULA(HIGH DIELE)	220P 50V K B TA26	
		C533	LG0CN1020K518	CAPACITOR TUBULA(HIGH DIELE)	1000P 50V K B TA26	
		C534	LG0CE4754K638	CAPACITOR,FIXED ELECTROLYTIC	4.7UF SRA,SS 50V 20% FM5 TP 5	
		C535	LG0CE4754K638	CAPACITOR,FIXED ELECTROLYTIC	4.7UF SRA,SS 50V 20% FM5 TP 5	
		C543	LG0CN2220F668	CAPACITOR,TUBULAR(HIGH DIELEC)	2200P 16V M X TA26	
		C544	LG0CQ4732K409	CAPACITOR,FIXED FILM	0.047UF S 50V J PE TP	
		C545	LG0CN3330K518	CAPACITOR,FIXED TUBULAR(High d	0.033UF 50V K B TA26	
		C546	LG0CE4764J638	CAPACITOR,AL.ELECTROLYTIC	47UF SRA,SS 35V M FM5 TP 5	
		C547	LG0CN1030F678	CAPACITOR TUBULA(HIGH DIELE)	0.01M 16V M Y TA26	
		C551	LG0CQ3332K409	CAPACITOR,FIXED FILM	0.033UF S 50V J PE TP	
		C552	LG0CN1030F678	CAPACITOR TUBULA(HIGH DIELE)	0.01M 16V M Y TA26	
		C561	LG0CE2274C638	CAPACITOR,ELECTROLYTIC	220M SRA 6.3V M FM5 TP(5)	
		C564	LG0CN1020K518	CAPACITOR TUBULA(HIGH DIELE)	1000P 50V K B TA26	
		C567	LG0CN1020K518	CAPACITOR TUBULA(HIGH DIELE)	1000P 50V K B TA26	
		C570	LG0CC1500K415	CAPACITOR,CERAMIC(TEMP COMP)	15P 50V J NP0 TS	
		C571	LG0CC1500K415	CAPACITOR,CERAMIC(TEMP COMP)	15P 50V J NP0 TS	
		C575	LG0CN1020K518	CAPACITOR TUBULA(HIGH DIELE)	1000P 50V K B TA26	
		C576	LG0CC2700K415	CAPACITOR CERAMIC(TEMP COMP)	27P 50V J NP0 TP	
		C577	LG0CN223AK948	CAPACITOR,TUBULAR(HIGH DIELEC)	0.022UF 50V Z F TA26 S	
		C578	LG0CN2220F668	CAPACITOR,TUBULAR(HIGH DIELEC)	2200P 16V M X TA26	
		C581	LG0CN1030F678	CAPACITOR TUBULA(HIGH DIELE)	0.01M 16V M Y TA26	
		C582	LG0CN1030F678	CAPACITOR TUBULA(HIGH DIELE)	0.01M 16V M Y TA26	
		C583	LG0CN1040K948	CAPACITOR,FIXED TUBULAR(High d	0.1UF D 50V 80%,-20% F(Y5V) TA	
		C589	LG0CQ2232K409	CAPACITOR,FIXED FILM	0.022UF S 50V J PE TP	
		C596	LG0CN1040K948	CAPACITOR,FIXED TUBULAR(High d	0.1UF D 50V 80%,-20% F(Y5V) TA	
		C5A3	LG0CN1040K948	CAPACITOR,FIXED TUBULAR(High d	0.1UF D 50V 80%,-20% F(Y5V) TA	
		C5A4	LG0CN1030F678	CAPACITOR TUBULA(HIGH DIELE)	0.01M 16V M Y TA26	
		C5A5	LG0CE1054K638	CAPACITOR,ELECTROLYTIC	1.0M SRA/SS50V M FM5 TP(5)	
		C5G1	LG0CN1020K518	CAPACITOR TUBULA(HIGH DIELE)	1000P 50V K B TA26	
		C5G2	LG0CE1086C638	CAPACITOR,FIXED ELECTROLYTIC	1000000000 PF SMS,SG 6.3V M FM	
		C5G3	LG0CN1040K948	CAPACITOR,FIXED TUBULAR(High d	0.1UF D 50V 80%,-20% F(Y5V) TA	
		C5K1	LG0CN1040K948	CAPACITOR,FIXED TUBULAR(High d	0.1UF D 50V 80%,-20% F(Y5V) TA	
		C5R1	LG0CE3364F638	CAPACITOR,ELECTROLYTIC	33M SRA 16V M FM5 TP(5)	
		C5R2	LG0CN6810K518	CAPACITOR TUBULA(HIGH DIELE)	680P 50V K B TA26	
		C5S1	LG0CX4300K408	CAPACITOR TUBULA(T.C)	43P 50V J SL TA26	
		C5S3	LG0CN223AK948	CAPACITOR,TUBULAR(HIGH DIELEC)	0.022UF 50V Z F TA26 S	
		C701	LG0CE4754K638	CAPACITOR,FIXED ELECTROLYTIC	4.7UF SRA,SS 50V 20% FM5 TP 5	
		C704	LG0CE4764F638	CAPACITOR,ELECTROLYTIC	47M SRA/SS 16V M FM5 TP(5)	
		C705	LG0CN1030F678	CAPACITOR TUBULA(HIGH DIELE)	0.01M 16V M Y TA26	
		C706	LG0CE4775C618	CAPACITOR,AL.ELECTROLYTIC	470UF SR,SV 6.3V M FL TP 5	
		C707	LG0CN1030F678	CAPACITOR TUBULA(HIGH DIELE)	0.01M 16V M Y TA26	
		C710	LG0CX6800K408	CAPACITOR TUBULA(T.C)	68P 50V J SL TA26	
		C711	LG0CX3300K408	CAPACITOR TUBULA(T.C)	33P 50V J SL TA26	
		C712	LG0CX5R60K508	CAPACITOR TUBULA(T.C)	5.6PF 50V K SL TA26	
		C713	LG0CE4764F638	CAPACITOR,ELECTROLYTIC	47M SRA/SS 16V M FM5 TP(5)	
		C714	LG0CN1030F678	CAPACITOR TUBULA(HIGH DIELE)	0.01M 16V M Y TA26	
		C751	LG0CE4764F638	CAPACITOR,ELECTROLYTIC	47M SRA/SS 16V M FM5 TP(5)	

VHR-H773SP

S	AL	LOCA. NO.	PART NO.	DESCRIPTION	SPECIFICATION	REMARKS
		C752	LG0CN1030F678	CAPACITOR TUBULA(HIGH DIELE)	0.01M 16V M Y TA26	
		C753	LG0CX5600K408	CAPACITOR,TUBULAR(T.C)	56P 50V J SL TA26	
		C754	LG0CX5600K408	CAPACITOR,TUBULAR(T.C)	56P 50V J SL TA26	
		C755	LG0CE4764F638	CAPACITOR,ELECTROLYTIC	47M SRA/SS 16V M FM5 TP(5)	
		C756	LG0CN1030F678	CAPACITOR TUBULA(HIGH DIELE)	0.01M 16V M Y TA26	
		C757	LG0CE4764F638	CAPACITOR,ELECTROLYTIC	47M SRA/SS 16V M FM5 TP(5)	
		C758	LG0CE1064F638	CAPACITOR,ELECTROLYTIC	10M SRA 16V M FM5 TP(5)	
		C759	LG0CE1064F638	CAPACITOR,ELECTROLYTIC	10M SRA 16V M FM5 TP(5)	
		C760	LG0CN1030F678	CAPACITOR TUBULA(HIGH DIELE)	0.01M 16V M Y TA26	
		C761	LG0CN1030F678	CAPACITOR TUBULA(HIGH DIELE)	0.01M 16V M Y TA26	
		C764	LG0CN3920F668	CAPACITOR TUBULA(HIGH DIELE)	3900P 16V M X TA26	
		C765	LG0CN1520F668	CAPACITOR,TUBULAR(HIGH DIELEC)	1500P 16V M X TA26	
		C766	LG0CE3354K638	CAPACITOR,FIXED ELECTROLYTIC	3.3UF SRA,SS 50V 20% FM5 TP 5	
		C769	LG0CE1064F638	CAPACITOR,ELECTROLYTIC	10M SRA 16V M FM5 TP(5)	
		C770	LG0CN1020K518	CAPACITOR TUBULA(HIGH DIELE)	1000P 50V K B TA26	
		C771	LG0CN1030F678	CAPACITOR TUBULA(HIGH DIELE)	0.01M 16V M Y TA26	
		C772	LG0CC0500K015	CAPACITOR,CERAMIC(TEMP COMP)	5P 50V C NP0 TR	
		C773	LG0CC0800K015	CAPACITOR CERAMIC(TEMP COMP)	8P 50V C NP0 TS	
		C790	LG0CN1030F678	CAPACITOR TUBULA(HIGH DIELE)	0.01M 16V M Y TA26	
		C7M2	LG0CE1064F638	CAPACITOR,ELECTROLYTIC	10M SRA 16V M FM5 TP(5)	
		C7M3	LG0CX2700K408	CAPACITOR TUBULA(T.C)	27P 50V J SL TA26	
		C7M6	LG0CX2700K408	CAPACITOR TUBULA(T.C)	27P 50V J SL TA26	
		C805	LG0CN1040K948	CAPACITOR,FIXED TUBULAR(High d	0.1UF D 50V 80%,-20% F(Y5V) TA	
		C806	LG0CE4754K638	CAPACITOR,FIXED ELECTROLYTIC	4.7UF SRA,SS 50V 20% FM5 TP 5	
		C807	LG0CE4754K638	CAPACITOR,FIXED ELECTROLYTIC	4.7UF SRA,SS 50V 20% FM5 TP 5	
		C808	LG0CN1040K948	CAPACITOR,FIXED TUBULAR(High d	0.1UF D 50V 80%,-20% F(Y5V) TA	
		C809	LG0CN1040K948	CAPACITOR,FIXED TUBULAR(High d	0.1UF D 50V 80%,-20% F(Y5V) TA	
		C810	LG0CE1064F638	CAPACITOR,ELECTROLYTIC	10M SRA 16V M FM5 TP(5)	
		C811	LG0CE1064F638	CAPACITOR,ELECTROLYTIC	10M SRA 16V M FM5 TP(5)	
		C813	LG0CE1064F638	CAPACITOR,ELECTROLYTIC	10M SRA 16V M FM5 TP(5)	
		C814	LG0CE1064F638	CAPACITOR,ELECTROLYTIC	10M SRA 16V M FM5 TP(5)	
		C817	LG0CE1064F638	CAPACITOR,ELECTROLYTIC	10M SRA 16V M FM5 TP(5)	
		C818	LG0CE4754K638	CAPACITOR,FIXED ELECTROLYTIC	4.7UF SRA,SS 50V 20% FM5 TP 5	
		C819	LG0CE1064F638	CAPACITOR,ELECTROLYTIC	10M SRA 16V M FM5 TP(5)	
		C820	LG0CQ6822K409	CAPACITOR,POLYESTER(MYLAR)	6800PF S 50V J PE TP	
		C821	LG0CE4764F638	CAPACITOR,ELECTROLYTIC	47M SRA/SS 16V M FM5 TP(5)	
		C822	LG0CE1064F638	CAPACITOR,ELECTROLYTIC	10M SRA 16V M FM5 TP(5)	
		C823	LG0CE1064F638	CAPACITOR,ELECTROLYTIC	10M SRA 16V M FM5 TP(5)	
		C824	LG0CE1064F638	CAPACITOR,ELECTROLYTIC	10M SRA 16V M FM5 TP(5)	
		C825	LG0CE4764F638	CAPACITOR,ELECTROLYTIC	47M SRA/SS 16V M FM5 TP(5)	
		C826	LG0CQ6822K409	CAPACITOR,POLYESTER(MYLAR)	6800PF S 50V J PE TP	
		C827	LG0CE1064F638	CAPACITOR,ELECTROLYTIC	10M SRA 16V M FM5 TP(5)	
		C828	LG0CE4764F638	CAPACITOR,ELECTROLYTIC	47M SRA/SS 16V M FM5 TP(5)	
		C829	LG0CN1030F678	CAPACITOR TUBULA(HIGH DIELE)	0.01M 16V M Y TA26	
		C830	LG0CN1040K948	CAPACITOR,FIXED TUBULAR(High d	0.1UF D 50V 80%,-20% F(Y5V) TA	
		C831	LG0CN1030F678	CAPACITOR TUBULA(HIGH DIELE)	0.01M 16V M Y TA26	
		C832	LG0CE4764F638	CAPACITOR,ELECTROLYTIC	47M SRA/SS 16V M FM5 TP(5)	
		C835	LG0CE4744K638	CAPACITOR,ELECTROLYTIC	0.47M SRA 50V M FM5 TP(5)	
		C8R1	LG0CN1020K518	CAPACITOR TUBULA(HIGH DIELE)	1000P 50V K B TA26	
		C8R2	LG0CN1020K518	CAPACITOR TUBULA(HIGH DIELE)	1000P 50V K B TA26	
		C901	LG0CN1020K518	CAPACITOR TUBULA(HIGH DIELE)	1000P 50V K B TA26	
		C902	LG0CE477CF638	CAPACITOR,AL.ELECTROLYTIC	470UF SHL TYPE 16V M FM5 TP 5	
		C903	LG0CN1020K518	CAPACITOR TUBULA(HIGH DIELE)	1000P 50V K B TA26	
		C904	LG0CN1020K518	CAPACITOR TUBULA(HIGH DIELE)	1000P 50V K B TA26	
		C909	LG0CN1040K948	CAPACITOR,FIXED TUBULAR(High d	0.1UF D 50V 80%,-20% F(Y5V) TA	
		C911	LG0CN1020K518	CAPACITOR TUBULA(HIGH DIELE)	1000P 50V K B TA26	
		C912	LG0CE477CF638	CAPACITOR,AL.ELECTROLYTIC	470UF SHL TYPE 16V M FM5 TP 5	
		C914	LG0CN1020K518	CAPACITOR TUBULA(HIGH DIELE)	1000P 50V K B TA26	
		C915	LG0CN1040K948	CAPACITOR,FIXED TUBULAR(High d	0.1UF D 50V 80%,-20% F(Y5V) TA	

VHR-H773SP

S	AL	LOCA. NO.	PART NO.	DESCRIPTION	SPECIFICATION	REMARKS
		C917	LG0CX2700K408	CAPACITOR TUBULA(T.C)	27P 50V J SL TA26	
		C920	LG0CN1040K948	CAPACITOR,FIXED TUBULAR(High d	0.1UF D 50V 80%,-20% F(Y5V) TA	
		C921	LG0CN1040K948	CAPACITOR,FIXED TUBULAR(High d	0.1UF D 50V 80%,-20% F(Y5V) TA	
		C956	LG0CE1054K638	CAPACITOR,ELECTROLYTIC	1.0M SRA/SS50V M FM5 TP(5)	
		C957	LG0CX2700K408	CAPACITOR TUBULA(T.C)	27P 50V J SL TA26	
		C960	LG0CN1040K948	CAPACITOR,FIXED TUBULAR(High d	0.1UF D 50V 80%,-20% F(Y5V) TA	
		C961	LG0CE1064F638	CAPACITOR,ELECTROLYTIC	10M SRA 16V M FM5 TP(5)	
		C962	LG0CE1064F638	CAPACITOR,ELECTROLYTIC	10M SRA 16V M FM5 TP(5)	
		C963	LG0CE1064F638	CAPACITOR,ELECTROLYTIC	10M SRA 16V M FM5 TP(5)	
		C9F1	LG0CN1020K518	CAPACITOR TUBULA(HIGH DIELE)	1000P 50V K B TA26	
		C9F2	LG0CN1020K518	CAPACITOR TUBULA(HIGH DIELE)	1000P 50V K B TA26	
		C9F3	LG0CN1040K948	CAPACITOR,FIXED TUBULAR(High d	0.1UF D 50V 80%,-20% F(Y5V) TA	
		C9F4	LG0CN1040K948	CAPACITOR,FIXED TUBULAR(High d	0.1UF D 50V 80%,-20% F(Y5V) TA	
		C9F5	LG0CN1040K948	CAPACITOR,FIXED TUBULAR(High d	0.1UF D 50V 80%,-20% F(Y5V) TA	
		FL301	LG633-032K	COIL,IFT	BIAC OSC,1CHIP 5V(KS-75M) KWAN	
		L103	LG633-088G	COIL,CHOKE	CHOCK(22MH) 5MM TOKO TP	
		L104	LG633-088G	COIL,CHOKE	CHOCK(22MH) 5MM TOKO TP	
		L301	LG0LR0102J0N5	INDUCTOR,RADIAL LEAD	10UH 5% TP 3X5 TR5	
		L301	LGGLR0102K0P5	INDUCTOR,RADIAL LEAD	LF7.5N OEL 10UH 10% TP 4.8X4.0	ALTERNATE
		L301	LG0LR0102K0P5	INDUCTOR,RADIAL LEAD	LF7.5N OEL 10UH 10% TP 4.8X4.0	ALTERNATE
		L302	LG0LR1000K035	INDUCTOR RADIAL LEAD	100M K 6X6 L5 TP	
		L303	LG0LR0102J0N5	INDUCTOR,RADIAL LEAD	10UH 5% TP 3X5 TR5	
		L303	LG0LR0102K0P5	INDUCTOR,RADIAL LEAD	LF7.5N OEL 10UH 10% TP 4.8X4.0	ALTERNATE
		L303	LGGLR0102K0P5	INDUCTOR,RADIAL LEAD	LF7.5N OEL 10UH 10% TP 4.8X4.0	ALTERNATE
		L304	LG0LR0102J0N5	INDUCTOR,RADIAL LEAD	10UH 5% TP 3X5 TR5	
		L304	LG0LR0102K0P5	INDUCTOR,RADIAL LEAD	LF7.5N OEL 10UH 10% TP 4.8X4.0	ALTERNATE
		L304	LGGLR0102K0P5	INDUCTOR,RADIAL LEAD	LF7.5N OEL 10UH 10% TP 4.8X4.0	ALTERNATE
		L305	LG0LR1000K035	INDUCTOR RADIAL LEAD	100M K 6X6 L5 TP	
		L307	LG0LR0102J0N5	INDUCTOR,RADIAL LEAD	10UH 5% TP 3X5 TR5	
		L307	LG0LR0102K0P5	INDUCTOR,RADIAL LEAD	LF7.5N OEL 10UH 10% TP 4.8X4.0	ALTERNATE
		L307	LGGLR0102K0P5	INDUCTOR,RADIAL LEAD	LF7.5N OEL 10UH 10% TP 4.8X4.0	ALTERNATE
		L501	LG0LA0122K018	INDUCTOR AXIAL LEAD	12M K 2.3X3.4 L5 TP	
		L503	LG0LR1000K035	INDUCTOR RADIAL LEAD	100M K 6X6 L5 TP	
		L504	LG0LR0102J0N5	INDUCTOR,RADIAL LEAD	10UH 5% TP 3X5 TR5	
		L504	LG0LR0102K0P5	INDUCTOR,RADIAL LEAD	LF7.5N OEL 10UH 10% TP 4.8X4.0	ALTERNATE
		L505	LG0LR1000K035	INDUCTOR RADIAL LEAD	100M K 6X6 L5 TP	
		L506	LG635-027C	INDUCTOR,RADIAL LEAD	EL0405RA SKI150G-3 K-TDK 15UH	
		L5G2	LG0LR1500K035	INDUCTOR RADIAL LEAD	150M K 6X6 L5 TP	
		L5S1	LG0LA0332K018	INDUCTOR AXIAL LEAD	33M K 2.3X3.4 L5 TP	
		L702	LG0LR1000K035	INDUCTOR RADIAL LEAD	100M K 6X6 L5 TP	
		L702	LGGLR1000K0P5	INDUCTOR,RADIAL LEAD	LF7.5N OEL 100UH 10% TP 4.8X4.	ALTERNATE
		L703	LG0LR1000K035	INDUCTOR RADIAL LEAD	100M K 6X6 L5 TP	
		L703	LGGLR1000K0P5	INDUCTOR,RADIAL LEAD	LF7.5N OEL 100UH 10% TP 4.8X4.	ALTERNATE
		L704	LG0LA0821K018	INDUCTOR AXIAL LEAD	8.2M K 2.3X3.4 L5 TP	
		L705	LG0LR1000K035	INDUCTOR RADIAL LEAD	100M K 6X6 L5 TP	
		L705	LGGLR1000K0P5	INDUCTOR,RADIAL LEAD	LF7.5N OEL 100UH 10% TP 4.8X4.	ALTERNATE
		L751	LG0LR0102J0N5	INDUCTOR,RADIAL LEAD	10UH 5% TP 3X5 TR5	
		L751	LG0LR0102K0P5	INDUCTOR,RADIAL LEAD	LF7.5N OEL 10UH 10% TP 4.8X4.0	ALTERNATE
		L753	LG0LR0102J0N5	INDUCTOR,RADIAL LEAD	10UH 5% TP 3X5 TR5	
		L753	LG0LR0102K0P5	INDUCTOR,RADIAL LEAD	LF7.5N OEL 10UH 10% TP 4.8X4.0	ALTERNATE
		L801	LG0LR0102J0N5	INDUCTOR,RADIAL LEAD	10UH 5% TP 3X5 TR5	
		L801	LGGLR0102K0P5	INDUCTOR,RADIAL LEAD	LF7.5N OEL 10UH 10% TP 4.8X4.0	ALTERNATE
		L801	LG0LR0102K0P5	INDUCTOR,RADIAL LEAD	LF7.5N OEL 10UH 10% TP 4.8X4.0	ALTERNATE
		L802	LG0LR0102J0N5	INDUCTOR,RADIAL LEAD	10UH 5% TP 3X5 TR5	
		L802	LGGLR0102K0P5	INDUCTOR,RADIAL LEAD	LF7.5N OEL 10UH 10% TP 4.8X4.0	ALTERNATE
		L802	LG0LR0102K0P5	INDUCTOR,RADIAL LEAD	LF7.5N OEL 10UH 10% TP 4.8X4.0	ALTERNATE
		L8R1	LG0LA1000K018	INDUCTOR AXIAL LEAD	100M K 2.3X3.4 L5 TP	
		L8R2	LG0LA1000K018	INDUCTOR AXIAL LEAD	100M K 2.3X3.4 L5 TP	
		L901	LG0LA1000K018	INDUCTOR AXIAL LEAD	100M K 2.3X3.4 L5 TP	

VHR-H773SP

S	AL	LOCA. NO.	PART NO.	DESCRIPTION	SPECIFICATION	REMARKS
		L902	LG0LA1000K018	INDUCTOR AXIAL LEAD	100M K 2.3X3.4 L5 TP	
		L904	LG0LA1000K018	INDUCTOR AXIAL LEAD	100M K 2.3X3.4 L5 TP	
		L906	LG0LA1000K018	INDUCTOR AXIAL LEAD	100M K 2.3X3.4 L5 TP	
		L911	LG0LA1000K018	INDUCTOR AXIAL LEAD	100M K 2.3X3.4 L5 TP	
		L912	LG0LA1000K018	INDUCTOR AXIAL LEAD	100M K 2.3X3.4 L5 TP	
		L914	LG0LA1000K018	INDUCTOR AXIAL LEAD	100M K 2.3X3.4 L5 TP	
		L915	LG0LA1000K018	INDUCTOR AXIAL LEAD	100M K 2.3X3.4 L5 TP	
		L9F1	LG0LA1000K018	INDUCTOR AXIAL LEAD	100M K 2.3X3.4 L5 TP	
		L9F2	LG0LA1000K018	INDUCTOR AXIAL LEAD	100M K 2.3X3.4 L5 TP	
	△	BD101	LG0DD160000DA	DIODE	S1WBA60(1A 600V) SHIDENKEN	
		D102	LG0DD010009CA	DIODE,RECTIFIER	EG01CW(R-FORM 5MM) TP SANKEN	
		D102	LG0DD221009AA	DIODE,RECTIFIERS	ERA22-10 KFLB,TP ,R T/P,FUJI	ALTERNATE
		D103	LG0DR180209AA	DIODE,RECTIFIER	ERA18-02KFRB TP FUJI DO204AL 2	
		D104	LG0DD133009AA	DIODE,SWITCHING	1SS133 DETECT,SW TP	
		D105	LG0DD010009AC	DIODE	EU01W(R-FORM) TP SANKEN	ALTERNATE
		D105	LG0DR104009BA	DIODE,RECTIFIER	RL104F TP RECTRON NON 400V 1A	
		D106	LG0DR810040BA	DIODE,RECTIFIER	ERC81-004L22 BK FUJI DO201AD 4	ALTERNATE
		D106	LG0DR158220AA	DIODE,RECTIFIER	1N5822 BK RECTRON DO201AD 40V	
		D109	LG0DR310000AA	DIODE,RECTIFIERS	RU3YXLF-C1 BK SANKEN D4 100V 2	ALTERNATE
		D109	LG0DR202000AB	DIODE,RECTIFIER	HER202 BK RECTRON NON 100V 2A	
		D155	LG0DD207000AB	DIODE,RECTIFIERS	2A07 2A RECT(T/S)P=12.5 F DELT	
		D156	LG0DD133009AA	DIODE,SWITCHING	1SS133 DETECT,SW TP	
		D159	LG0DD133009AA	DIODE,SWITCHING	1SS133 DETECT,SW TP	
		D160	LG0DD133009AA	DIODE,SWITCHING	1SS133 DETECT,SW TP	
		D301	LG0DD133009AA	DIODE,SWITCHING	1SS133 DETECT,SW TP	
		D502	LG0DD133009AA	DIODE,SWITCHING	1SS133 DETECT,SW TP	
		D509	LG0DD133009AA	DIODE,SWITCHING	1SS133 DETECT,SW TP	
		D901	LG0DD133009AA	DIODE,SWITCHING	1SS133 DETECT,SW TP	
		D902	LG0DD133009AA	DIODE,SWITCHING	1SS133 DETECT,SW TP	
		D903	LG0DD133009AA	DIODE,SWITCHING	1SS133 DETECT,SW TP	
		L101	LG636-004C	FILTER(CIRC),EMC	BEAD CORE BFS3550R2FD8,R T/P	
	△	L102	LG616-145H	FILTER(CIRC)	SHT LFS2020V4-04350	
		L106	LG636-004C	FILTER(CIRC),EMC	BEAD CORE BFS3550R2FD8,R T/P	
		L905	LG636-004C	FILTER(CIRC),EMC	BEAD CORE BFS3550R2FD8,R T/P	
		L907	LG636-004C	FILTER(CIRC),EMC	BEAD CORE BFS3550R2FD8,R T/P	
		W588	LG636-004C	FILTER(CIRC),EMC	BEAD CORE BFS3550R2FD8,R T/P	
	△	F101	LG585-011T	FUSE,SLOW BLOW	1600MA 250 V 5.2X20 CY/GL SEMK	
		F102	LG0IRH200000B	IC,ROHM	ICP-N20 T104 TP IC DETACT	
	△	IC101	LG0IPMGSK003A	IC,POWER MANAGEMENT	STR-A6351 SANKEN 8 DIP ST SMPS	
		IC103	LG0IKE431000A	IC,KEC	KIA431 3 PIN TP	
		IC301	LG0ILNRSAA005B	IC,LINEAR	LA71750EM SANYO 100PIN QFP TRA	
		IC501	LG0IMCRHI027A	IC,MICRO CONTROLLER	HD64322197SA19F HITACHI 112PIN	
		IC503	LG0IAL241600B	IC,ATMEL	AT24C16 - - - -	ALTERNATE
		IC503	LG0ICS241600B	IC,CATALYST	CAT24W16P 8P DIP ST 16K SERIAL	
		IC504	LG0ISS753100A	IC,SAMSUNG ELECTRONICS	KA7531Z TO-92 TP 3.1V RESET	ALTERNATE
		IC504	LG0IKE703100A	IC,KEC	KIA7031P 3P 3.1V RESET(TAPING)	
		IC505	LG0IKE704200B	IC,KEC	KIA7042P 3P 4.2V RESET(TAPING)	
		IC506	LG0ILNRPY001A	IC,LINEAR	PT6955 PTC 24P SOP ST LED DRIV	
		IC751	LG0IIT341700B	IC,ITT	MSP3417D-QG QFP44 BK NICAM+A2	
		IC751	LG0IIT341700C	IC,ITT	MSP3417G-QG-B8-V3 44 QFP TRAY	
		IC801	LG0IPH960500A	IC,PHILIPS	TDA9605H QFP44 BK HIFI AMP+HIF	
		JK801	LG6612R-C002C	JACK,RCA	RCA-208C-06 YUQIU WH-RD	
		JK901	LG6620RM0002J	JACK,SCART	DSAM-0121 DOOWON 2F-21P(BL-BK)	
		JK9F3	LG6612RIV005D	JACK,RCA	DPAM-0152 DOOWON 3PIN YL/WH/RD	
		LD501	LG4931R-0017C	HOLDER ASSY	LED(DI-CKD)LOCAL	
		LED501	LG6301R2U002D	LED ASSY	TOF-3462AGE-B OASIS UNIVERSAL	
		LED501	LG6301R3U002D	LED ASSEMBLY	ELF347GWB/S285 EVERLIGHT UNIVE	ALTERNATE
		Q151	LG0TR127309AA	TRANSISTOR	KTA1273-TP-Y (KTA966A)KEC	
		Q151	LG0TR928009AD	TRANSISTOR	KSA928A-Y,TO-92L TP SAMSUNG TO	ALTERNATE

VHR-H773SP

S	AL	LOCA. NO.	PART NO.	DESCRIPTION	SPECIFICATION	REMARKS
		Q152	LG0TR127309AA	TRANSISTOR	KTA1273-TP-Y (KTA966A)KEC	
		Q152	LG0TR928009AD	TRANSISTOR	KSA928A-Y,TO-92L TP SAMSUNG TO	ALTERNATE
		Q154	LG0TR126809BA	TRANSISTOR,BIPOLARS	KTA1268-BL TP KEC	
		Q155	LG0TR320509AB	TRANSISTOR	KTC3205-TP-Y (KTC2236A)KEC	
		Q155	LG0TR232809AB	TRANSISTOR	KSC2328A-Y TP SAMSUNG TO-92L	ALTERNATE
		Q157	LG0TR100309AA	TRANSISTOR	KSR1003 TP (S/S)	ALTERNATE
		Q157	LG0TR120309AE	TRANSISTOR	SRC1203 TP AUK TO92 22K,22K	
		Q162	LG0TR534309BA	TRANSISTOR	2SC5343-L TP AUK TO92	
		Q163	LG0TR120109AC	TRANSISTOR	SRC1201 TP AUK TO92 4.7K,4.7K	
		Q164	LG0TR100309AA	TRANSISTOR	KSR1003 TP (S/S)	ALTERNATE
		Q164	LG0TR120309AE	TRANSISTOR	SRC1203 TP AUK TO92 22K,22K	
		Q165	LG0TR200309AA	TRANSISTOR	KSR2003TA TP FAIRCHILD TO92	ALTERNATE
		Q165	LG0TR220309AF	TRANSISTOR	SRA2203 TP AUK TO92 22K,22K	
		Q166	LG0TR127309AA	TRANSISTOR	KTA1273-TP-Y (KTA966A)KEC	
		Q166	LG0TR928009AD	TRANSISTOR	KSA928A-Y,TO-92L TP SAMSUNG TO	ALTERNATE
		Q301	LG0TR319809AC	TRANSISTOR	KTC3198-TP-BL (KTC1815)KEC	ALTERNATE
		Q301	LG0TR534309BA	TRANSISTOR	2SC5343-L TP AUK TO92	
		Q302	LG0TR198009CA	TRANSISTOR	2SA1980G TP AUK TO92	
		Q303	LG0TR319809AC	TRANSISTOR	KTC3198-TP-BL (KTC1815)KEC	ALTERNATE
		Q303	LG0TR534309BA	TRANSISTOR	2SC5343-L TP AUK TO92	
		Q304	LG0TR319809AC	TRANSISTOR	KTC3198-TP-BL (KTC1815)KEC	ALTERNATE
		Q304	LG0TR534309BA	TRANSISTOR	2SC5343-L TP AUK TO92	
		Q305	LG0TR198009CA	TRANSISTOR	2SA1980G TP AUK TO92	
		Q306	LG0TR320309AA	TRANSISTOR,BIPOLARS	KTC3203 KEC TP TO92 50V 150MA	ALTERNATE
		Q306	LG0TR534409AA	TRANSISTOR	2SC5344Y TP	
		Q307	LG0TR198009CA	TRANSISTOR	2SA1980G TP AUK TO92	
		Q308	LG0TR198009CA	TRANSISTOR	2SA1980G TP AUK TO92	
		Q309	LG0TR198009CA	TRANSISTOR	2SA1980G TP AUK TO92	
		Q501	LG0TR534309BA	TRANSISTOR	2SC5343-L TP AUK TO92	
		Q502	LG0TR534309BA	TRANSISTOR	2SC5343-L TP AUK TO92	
		Q503	LG0TR127309AA	TRANSISTOR	KTA1273-TP-Y (KTA966A)KEC	
		Q504	LG0TR534309BA	TRANSISTOR	2SC5343-L TP AUK TO92	
		Q514	LG0TR100309AA	TRANSISTOR	KSR1003 TP (S/S)	ALTERNATE
		Q514	LG0TR120309AE	TRANSISTOR	SRC1203 TP AUK TO92 22K,22K	
		Q515	LG0TR100309AA	TRANSISTOR	KSR1003 TP (S/S)	ALTERNATE
		Q515	LG0TR120309AE	TRANSISTOR	SRC1203 TP AUK TO92 22K,22K	
		Q5S1	LG0TR534309BA	TRANSISTOR	2SC5343-L TP AUK TO92	
		Q901	LG0TR100309AA	TRANSISTOR	KSR1003 TP (S/S)	ALTERNATE
		Q901	LG0TR120309AE	TRANSISTOR	SRC1203 TP AUK TO92 22K,22K	
		Q902	LG0TR200309AA	TRANSISTOR	KSR2003TA TP FAIRCHILD TO92	ALTERNATE
		Q902	LG0TR220309AF	TRANSISTOR	SRA2203 TP AUK TO92 22K,22K	
		Q903	LG0TR100309AA	TRANSISTOR	KSR1003 TP (S/S)	ALTERNATE
		Q903	LG0TR120309AE	TRANSISTOR	SRC1203 TP AUK TO92 22K,22K	
		Q906	LG0TR534309BA	TRANSISTOR	2SC5343-L TP AUK TO92	
		R101	LG614-007A	RESISTOR	2.7/2W CEMENT SMPS V	
		R102	LG0RD1803F608	RESISTOR,FIXED CARBON FILM	180K OHM 1/6 W 0.05 TA26	
		R103	LG0RD0682F608	RESISTOR,FIXED CARBON FILM	68 OHM 1/6 W 5.00% TA26	
		R104	LG0RS5602K619	RESISTOR,FIXED METAL OXIDE FIL	56K OHM 2 W 5.00% TR	
		R105	LG0RF0101A619	RESISTOR,DRAWING	1 OHM 1/2 W(7.0) 5.00% TR	
		R106	LG0RD1803F608	RESISTOR,FIXED CARBON FILM	180K OHM 1/6 W 0.05 TA26	
		R109	LG0RS0350K619	RESISTOR,FIXED METAL OXIDE FIL	0.35 OHM 2 W 5.00% TR	
		R112	LG0RD1003F608	RESISTOR,FIXED CARBON FILM	100K OHM 1/6 W 5% TA26	
		R116	LG0RD2200F608	RESISTOR,FIXED CARBON FILM	220 OHM 1/6 W 5% TA26	
		R117	LG0RD2201F608	RESISTOR,FIXED CARBON FILM	2.2K OHM 1/6 W 5% TA26	
		R118	LG0RD1001F608	RESISTOR,FIXED CARBON FILM	1K OHM 1/6 W 5% TA26	
		R119	LG0RN3301F408	RESISTOR,FIXED METAL FILM	3.3K OHM 1/6 W 1% TA26	
		R120	LG0RN3001F408	RESISTOR,FIXED METAL FILM	3K OHM 1/6 W 1% TA26	
		R125	LG0RD4701F608	RESISTOR,FIXED CARBON FILM	4.7K OHM 1/6 W 5% TA26	
		R126	LG0RD6800F608	RESISTOR,FIXED CARBON FILM	680 OHM 1/6 W 5% TA26	

VHR-H773SP

S	AL	LOCA. NO.	PART NO.	DESCRIPTION	SPECIFICATION	REMARKS
		R151	LG0RD1001F608	RESISTOR, FIXED CARBON FILM	1K OHM 1/6 W 5% TA26	
		R152	LG0RD3300F608	RESISTOR, FIXED CARBON FILM	330 OHM 1/6 W 5% TA26	
		R153	LG0RD1001F608	RESISTOR, FIXED CARBON FILM	1K OHM 1/6 W 5% TA26	
		R154	LG0RD3300F608	RESISTOR, FIXED CARBON FILM	330 OHM 1/6 W 5% TA26	
		R155	LG0RD3301F608	RESISTOR, FIXED CARBON FILM	3.3K OHM 1/6 W 5% TA26	
		R157	LG0RD1001F608	RESISTOR, FIXED CARBON FILM	1K OHM 1/6 W 5% TA26	
		R158	LG0RD1802F608	RESISTOR, FIXED CARBON FILM	18K OHM 1/6 W 5% TA26	
		R159	LG0RD4700F608	RESISTOR, FIXED CARBON FILM	470 OHM 1/6 W 5% TA26	
		R161	LG0RD4701F608	RESISTOR, FIXED CARBON FILM	4.7K OHM 1/6 W 5% TA26	
		R170	LG0RD5601F608	RESISTOR, FIXED CARBON FILM	5.6K OHM 1/6 W 5% TA26	
		R172	LG0RD2700F608	RESISTOR, FIXED CARBON FILM	270 OHM 1/6 W 5% TA26	
		R173	LG0RD2700F608	RESISTOR, FIXED CARBON FILM	270 OHM 1/6 W 5% TA26	
		R1B1	LG0RD1504H632	RESISTOR, FIXED CARBON FILM	1.5M OHM 1/2 W 5.00% MF10	
		R301	LG0RD5602F608	RESISTOR, FIXED CARBON FILM	56K OHM 1/6 W 5% TA26	
		R303	LG0RD1802F608	RESISTOR, FIXED CARBON FILM	18K OHM 1/6 W 5% TA26	
		R304	LG0RD1002F608	RESISTOR, FIXED CARBON FILM	10K OHM 1/6 W 5% TA26	
		R305	LG0RD1002F608	RESISTOR, FIXED CARBON FILM	10K OHM 1/6 W 5% TA26	
		R306	LG0RD2202F608	RESISTOR, FIXED CARBON FILM	22K OHM 1/6 W 5% TA26	
		R307	LG0RD2201F608	RESISTOR, FIXED CARBON FILM	2.2K OHM 1/6 W 5% TA26	
		R308	LG0RD4701F608	RESISTOR, FIXED CARBON FILM	4.7K OHM 1/6 W 5% TA26	
		R309	LG0RD1001F608	RESISTOR, FIXED CARBON FILM	1K OHM 1/6 W 5% TA26	
		R310	LG0RD4701F608	RESISTOR, FIXED CARBON FILM	4.7K OHM 1/6 W 5% TA26	
		R311	LG0RD1001F608	RESISTOR, FIXED CARBON FILM	1K OHM 1/6 W 5% TA26	
		R312	LG0RD6802F608	RESISTOR, FIXED CARBON FILM	68K OHM 1/6 W 5% TA26	
		R313	LG0RD0221F608	RESISTOR, FIXED CARBON FILM	2.2 OHM 1/6 W 5% TA26	
		R314	LG0RD1001F608	RESISTOR, FIXED CARBON FILM	1K OHM 1/6 W 5% TA26	
		R315	LG0RD0472F608	RESISTOR, FIXED CARBON FILM	47 OHM 1/6 W 5% TA26	
		R316	LG0RD1000F608	RESISTOR, FIXED CARBON FILM	100 OHM 1/6 W 5% TA26	
		R317	LG0RD5601F608	RESISTOR, FIXED CARBON FILM	5.6K OHM 1/6 W 5% TA26	
		R318	LG0RD3901F608	RESISTOR, FIXED CARBON FILM	3.9K OHM 1/6 W 5% TA26	
		R319	LG0RD5600F608	RESISTOR, FIXED CARBON FILM	560 OHM 1/6 W 5% TA26	
		R320	LG0RD1500F608	RESISTOR, FIXED CARBON FILM	150 OHM 1/6 W 5% TA26	
		R321	LG0RD1201F608	RESISTOR, FIXED CARBON FILM	1.2K OHM 1/6 W 5% TA26	
		R322	LG0RD1001F608	RESISTOR, FIXED CARBON FILM	1K OHM 1/6 W 5% TA26	
		R324	LG0RD3303F608	RESISTOR, FIXED CARBON FILM	330K OHM 1/6 W 5% TA26	
		R325	LG0RD4700F608	RESISTOR, FIXED CARBON FILM	470 OHM 1/6 W 5% TA26	
		R326	LG0RD1202F608	RESISTOR, FIXED CARBON FILM	12K OHM 1/6 W 5% TA26	
		R327	LG0RD5601F608	RESISTOR, FIXED CARBON FILM	5.6K OHM 1/6 W 5% TA26	
		R328	LG0RD2700F608	RESISTOR, FIXED CARBON FILM	270 OHM 1/6 W 5% TA26	
		R329	LG0RD1202F608	RESISTOR, FIXED CARBON FILM	12K OHM 1/6 W 5% TA26	
		R330	LG0RD1002F608	RESISTOR, FIXED CARBON FILM	10K OHM 1/6 W 5% TA26	
		R331	LG0RD4701F608	RESISTOR, FIXED CARBON FILM	4.7K OHM 1/6 W 5% TA26	
		R334	LG0RD2701F608	RESISTOR, FIXED CARBON FILM	2.7K OHM 1/6 W 5% TA26	
		R335	LG0RD6801F608	RESISTOR, FIXED CARBON FILM	6.8K OHM 1/6 W 5% TA26	
		R336	LG0RD1003F608	RESISTOR, FIXED CARBON FILM	100K OHM 1/6 W 5% TA26	
		R337	LG0RD2201F608	RESISTOR, FIXED CARBON FILM	2.2K OHM 1/6 W 5% TA26	
		R338	LG0RD2700F608	RESISTOR, FIXED CARBON FILM	270 OHM 1/6 W 5% TA26	
		R339	LG0RD5600F608	RESISTOR, FIXED CARBON FILM	560 OHM 1/6 W 5% TA26	
		R340	LG0RD1802F608	RESISTOR, FIXED CARBON FILM	18K OHM 1/6 W 5% TA26	
		R342	LG0RD5600F608	RESISTOR, FIXED CARBON FILM	560 OHM 1/6 W 5% TA26	
		R343	LG0RD0752F608	RESISTOR, FIXED CARBON FILM	75 OHM 1/6 W 5.00% TA26	
		R344	LG0RD4700F608	RESISTOR, FIXED CARBON FILM	470 OHM 1/6 W 5% TA26	
		R345	LG0RD4700F608	RESISTOR, FIXED CARBON FILM	470 OHM 1/6 W 5% TA26	
		R346	LG0RD1000F608	RESISTOR, FIXED CARBON FILM	100 OHM 1/6 W 5% TA26	
		R347	LG0RD1000F608	RESISTOR, FIXED CARBON FILM	100 OHM 1/6 W 5% TA26	
		R349	LG0RD1801F608	RESISTOR, FIXED CARBON FILM	1.8K OHM 1/6 W 5% TA26	
		R350	LG0RD1002F608	RESISTOR, FIXED CARBON FILM	10K OHM 1/6 W 5% TA26	
		R351	LG0RD8203F608	RESISTOR, FIXED CARBON FILM	820K OHM 1/6 W 0.05 TA26	
		R3A1	LG0RD1002F608	RESISTOR, FIXED CARBON FILM	10K OHM 1/6 W 5% TA26	



VHR-H773SP

S	AL	LOCA. NO.	PART NO.	DESCRIPTION	SPECIFICATION	REMARKS
		R501	LG0RD1000F608	RESISTOR, FIXED CARBON FILM	100 OHM 1/6 W 5% TA26	
		R502	LG0RD1000F608	RESISTOR, FIXED CARBON FILM	100 OHM 1/6 W 5% TA26	
		R503	LG0RD4701F608	RESISTOR, FIXED CARBON FILM	4.7K OHM 1/6 W 5% TA26	
		R504	LG0RD1001F608	RESISTOR, FIXED CARBON FILM	1K OHM 1/6 W 5% TA26	
		R505	LG0RD1001F608	RESISTOR, FIXED CARBON FILM	1K OHM 1/6 W 5% TA26	
		R506	LG0RD1002F608	RESISTOR, FIXED CARBON FILM	10K OHM 1/6 W 5% TA26	
		R507	LG0RD1002F608	RESISTOR, FIXED CARBON FILM	10K OHM 1/6 W 5% TA26	
		R508	LG0RD2201F608	RESISTOR, FIXED CARBON FILM	2.2K OHM 1/6 W 5% TA26	
		R509	LG0RD2201F608	RESISTOR, FIXED CARBON FILM	2.2K OHM 1/6 W 5% TA26	
		R510	LG0RD2201F608	RESISTOR, FIXED CARBON FILM	2.2K OHM 1/6 W 5% TA26	
		R511	LG0RD1001F608	RESISTOR, FIXED CARBON FILM	1K OHM 1/6 W 5% TA26	
		R512	LG0RD1001F608	RESISTOR, FIXED CARBON FILM	1K OHM 1/6 W 5% TA26	
		R513	LG0RD1001F608	RESISTOR, FIXED CARBON FILM	1K OHM 1/6 W 5% TA26	
		R514	LG0RD1203F608	RESISTOR, FIXED CARBON FILM	120K OHM 1/6 W 5% TA26	
		R515	LG0RD2700F608	RESISTOR, FIXED CARBON FILM	270 OHM 1/6 W 5% TA26	
		R516	LG0RD4703F608	RESISTOR, FIXED CARBON FILM	470K OHM 1/6 W 5% TA26	
		R517	LG0RD4700F608	RESISTOR, FIXED CARBON FILM	470 OHM 1/6 W 5% TA26	
		R518	LG0RD1001F608	RESISTOR, FIXED CARBON FILM	1K OHM 1/6 W 5% TA26	
		R520	LG0RD3901F608	RESISTOR, FIXED CARBON FILM	3.9K OHM 1/6 W 5% TA26	
		R521	LG0RD4701F608	RESISTOR, FIXED CARBON FILM	4.7K OHM 1/6 W 5% TA26	
		R522	LG0RD1001F608	RESISTOR, FIXED CARBON FILM	1K OHM 1/6 W 5% TA26	
		R523	LG0RD1002F608	RESISTOR, FIXED CARBON FILM	10K OHM 1/6 W 5% TA26	
		R524	LG0RD0222F608	RESISTOR, FIXED CARBON FILM	22 OHM 1/6 W 5% TA26	
		R525	LG0RD5601F608	RESISTOR, FIXED CARBON FILM	5.6K OHM 1/6 W 5% TA26	
		R526	LG0RD5601F608	RESISTOR, FIXED CARBON FILM	5.6K OHM 1/6 W 5% TA26	
		R527	LG0RD1002F608	RESISTOR, FIXED CARBON FILM	10K OHM 1/6 W 5% TA26	
		R528	LG0RD4701F608	RESISTOR, FIXED CARBON FILM	4.7K OHM 1/6 W 5% TA26	
		R529	LG0RD1002F608	RESISTOR, FIXED CARBON FILM	10K OHM 1/6 W 5% TA26	
		R530	LG0RD4701F608	RESISTOR, FIXED CARBON FILM	4.7K OHM 1/6 W 5% TA26	
		R531	LG0RD1002F608	RESISTOR, FIXED CARBON FILM	10K OHM 1/6 W 5% TA26	
		R535	LG0RD4703F608	RESISTOR, FIXED CARBON FILM	470K OHM 1/6 W 5% TA26	
		R542	LG0RD2201F608	RESISTOR, FIXED CARBON FILM	2.2K OHM 1/6 W 5% TA26	
		R543	LG0RD1000F608	RESISTOR, FIXED CARBON FILM	100 OHM 1/6 W 5% TA26	
		R544	LG0RD4701F608	RESISTOR, FIXED CARBON FILM	4.7K OHM 1/6 W 5% TA26	
		R546	LG0RD5601F608	RESISTOR, FIXED CARBON FILM	5.6K OHM 1/6 W 5% TA26	
		R547	LG0RD1202F608	RESISTOR, FIXED CARBON FILM	12K OHM 1/6 W 5% TA26	
		R548	LG0RD1003F608	RESISTOR, FIXED CARBON FILM	100K OHM 1/6 W 5% TA26	
		R550	LG0RD2200F608	RESISTOR, FIXED CARBON FILM	220 OHM 1/6 W 5% TA26	
		R553	LG0RD2200F608	RESISTOR, FIXED CARBON FILM	220 OHM 1/6 W 5% TA26	
		R555	LG0RD2200F608	RESISTOR, FIXED CARBON FILM	220 OHM 1/6 W 5% TA26	
		R556	LG0RD2202F608	RESISTOR, FIXED CARBON FILM	22K OHM 1/6 W 5% TA26	
		R557	LG0RD2702F608	RESISTOR, FIXED CARBON FILM	27K OHM 1/6 W 5% TA26	
		R558	LG0RD2202F608	RESISTOR, FIXED CARBON FILM	22K OHM 1/6 W 5% TA26	
		R559	LG0RD4701F608	RESISTOR, FIXED CARBON FILM	4.7K OHM 1/6 W 5% TA26	
		R560	LG0RD4701F608	RESISTOR, FIXED CARBON FILM	4.7K OHM 1/6 W 5% TA26	
		R561	LG0RD5600F608	RESISTOR, FIXED CARBON FILM	560 OHM 1/6 W 5% TA26	
		R562	LG0RD5600F608	RESISTOR, FIXED CARBON FILM	560 OHM 1/6 W 5% TA26	
		R563	LG0RD5601F608	RESISTOR, FIXED CARBON FILM	5.6K OHM 1/6 W 5% TA26	
		R564	LG0RD2702F608	RESISTOR, FIXED CARBON FILM	27K OHM 1/6 W 5% TA26	
		R566	LG0RD4701F608	RESISTOR, FIXED CARBON FILM	4.7K OHM 1/6 W 5% TA26	
		R567	LG0RD1002F608	RESISTOR, FIXED CARBON FILM	10K OHM 1/6 W 5% TA26	
		R568	LG0RD6802F608	RESISTOR, FIXED CARBON FILM	68K OHM 1/6 W 5% TA26	
		R569	LG0RD1004F608	RESISTOR, FIXED CARBON FILM	1M OHM 1/6 W 5% TA26	
		R570	LG0RD4701F608	RESISTOR, FIXED CARBON FILM	4.7K OHM 1/6 W 5% TA26	
		R575	LG0RD4701F608	RESISTOR, FIXED CARBON FILM	4.7K OHM 1/6 W 5% TA26	
		R576	LG0RD4701F608	RESISTOR, FIXED CARBON FILM	4.7K OHM 1/6 W 5% TA26	
		R577	LG0RD4701F608	RESISTOR, FIXED CARBON FILM	4.7K OHM 1/6 W 5% TA26	
		R578	LG0RD4701F608	RESISTOR, FIXED CARBON FILM	4.7K OHM 1/6 W 5% TA26	
		R579	LG0RD5602F608	RESISTOR, FIXED CARBON FILM	56K OHM 1/6 W 5% TA26	

VHR-H773SP

S	AL	LOCA. NO.	PART NO.	DESCRIPTION	SPECIFICATION	REMARKS
		R582	LG0RD1000F608	RESISTOR, FIXED CARBON FILM	100 OHM 1/6 W 5% TA26	
		R583	LG0RD1002F608	RESISTOR, FIXED CARBON FILM	10K OHM 1/6 W 5% TA26	
		R589	LG0RD1004F608	RESISTOR, FIXED CARBON FILM	1M OHM 1/6 W 5% TA26	
		R591	LG0RD1003F608	RESISTOR, FIXED CARBON FILM	100K OHM 1/6 W 5% TA26	
		R5A2	LG0RD1002F608	RESISTOR, FIXED CARBON FILM	10K OHM 1/6 W 5% TA26	
		R5A3	LG0RD1002F608	RESISTOR, FIXED CARBON FILM	10K OHM 1/6 W 5% TA26	
		R5A5	LG0RD4703F608	RESISTOR, FIXED CARBON FILM	470K OHM 1/6 W 5% TA26	
		R5B3	LG0RD1001F608	RESISTOR, FIXED CARBON FILM	1K OHM 1/6 W 5% TA26	
		R5B4	LG0RD1001F608	RESISTOR, FIXED CARBON FILM	1K OHM 1/6 W 5% TA26	
		R5B5	LG0RD1000F608	RESISTOR, FIXED CARBON FILM	100 OHM 1/6 W 5% TA26	
		R5C1	LG0RD1001F608	RESISTOR, FIXED CARBON FILM	1K OHM 1/6 W 5% TA26	
		R5C5	LG0RD1001F608	RESISTOR, FIXED CARBON FILM	1K OHM 1/6 W 5% TA26	
		R5C6	LG0RD1001F608	RESISTOR, FIXED CARBON FILM	1K OHM 1/6 W 5% TA26	
		R5C7	LG0RD1001F608	RESISTOR, FIXED CARBON FILM	1K OHM 1/6 W 5% TA26	
		R5C9	LG0RD1002F608	RESISTOR, FIXED CARBON FILM	10K OHM 1/6 W 5% TA26	
		R5G1	LG0RD4702F608	RESISTOR, FIXED CARBON FILM	47K OHM 1/6 W 5% TA26	
		R5G2	LG0RD1000F608	RESISTOR, FIXED CARBON FILM	100 OHM 1/6 W 5% TA26	
		R5G3	LG0RD1000F608	RESISTOR, FIXED CARBON FILM	100 OHM 1/6 W 5% TA26	
		R5G4	LG0RD1000F608	RESISTOR, FIXED CARBON FILM	100 OHM 1/6 W 5% TA26	
		R5P2	LG0RD1002F608	RESISTOR, FIXED CARBON FILM	10K OHM 1/6 W 5% TA26	
		R5P3	LG0RD1002F608	RESISTOR, FIXED CARBON FILM	10K OHM 1/6 W 5% TA26	
		R5R7	LG0RD3300F608	RESISTOR, FIXED CARBON FILM	330 OHM 1/6 W 5% TA26	
		R5R8	LG0RD1001F608	RESISTOR, FIXED CARBON FILM	1K OHM 1/6 W 5% TA26	
		R5S1	LG0RD5601F608	RESISTOR, FIXED CARBON FILM	5.6K OHM 1/6 W 5% TA26	
		R5T1	LG0RD1801F608	RESISTOR, FIXED CARBON FILM	1.8K OHM 1/6 W 5% TA26	
		R5T10	LG0RD1501F608	RESISTOR, FIXED CARBON FILM	1.5K OHM 1/6 W 5% TA26	
		R5T11	LG0RD1001F608	RESISTOR, FIXED CARBON FILM	1K OHM 1/6 W 5% TA26	
		R5T2	LG0RD1501F608	RESISTOR, FIXED CARBON FILM	1.5K OHM 1/6 W 5% TA26	
		R5T3	LG0RD2201F608	RESISTOR, FIXED CARBON FILM	2.2K OHM 1/6 W 5% TA26	
		R5T4	LG0RD2701F608	RESISTOR, FIXED CARBON FILM	2.7K OHM 1/6 W 5% TA26	
		R5T5	LG0RD3901F608	RESISTOR, FIXED CARBON FILM	3.9K OHM 1/6 W 5% TA26	
		R5T9	LG0RD1801F608	RESISTOR, FIXED CARBON FILM	1.8K OHM 1/6 W 5% TA26	
		R706	LG0RD2200F608	RESISTOR, FIXED CARBON FILM	220 OHM 1/6 W 5% TA26	
		R707	LG0RD2200F608	RESISTOR, FIXED CARBON FILM	220 OHM 1/6 W 5% TA26	
		R709	LG0RD1001F608	RESISTOR, FIXED CARBON FILM	1K OHM 1/6 W 5% TA26	
		R753	LG0RD1001F608	RESISTOR, FIXED CARBON FILM	1K OHM 1/6 W 5% TA26	
		R754	LG0RD3301F608	RESISTOR, FIXED CARBON FILM	3.3K OHM 1/6 W 5% TA26	
		R755	LG0RD3301F608	RESISTOR, FIXED CARBON FILM	3.3K OHM 1/6 W 5% TA26	
		R758	LG0RD4701F608	RESISTOR, FIXED CARBON FILM	4.7K OHM 1/6 W 5% TA26	
		R759	LG0RD5601F608	RESISTOR, FIXED CARBON FILM	5.6K OHM 1/6 W 5% TA26	
		R7M1	LG0RD1001F608	RESISTOR, FIXED CARBON FILM	1K OHM 1/6 W 5% TA26	
		R7M2	LG0RD2200F608	RESISTOR, FIXED CARBON FILM	220 OHM 1/6 W 5% TA26	
		R7M3	LG0RD1001F608	RESISTOR, FIXED CARBON FILM	1K OHM 1/6 W 5% TA26	
		R7M5	LG0RD2200F608	RESISTOR, FIXED CARBON FILM	220 OHM 1/6 W 5% TA26	
		R801	LG0RD4701F608	RESISTOR, FIXED CARBON FILM	4.7K OHM 1/6 W 5% TA26	
		R802	LG0RD4701F608	RESISTOR, FIXED CARBON FILM	4.7K OHM 1/6 W 5% TA26	
		R817	LG0RD3304F608	RESISTOR, FIXED CARBON FILM	3.3M OHM 1/6 W 5.00% TA26	
		R818	LG0RD3302F608	RESISTOR, FIXED CARBON FILM	33K OHM 1/6 W 5% TA26	
		R819	LG0RD2701F608	RESISTOR, FIXED CARBON FILM	2.7K OHM 1/6 W 5% TA26	
		R820	LG0RD3902F608	RESISTOR, FIXED CARBON FILM	39K OHM 1/6 W 5% TA26	
		R821	LG0RD2701F608	RESISTOR, FIXED CARBON FILM	2.7K OHM 1/6 W 5% TA26	
		R822	LG0RD3302F608	RESISTOR, FIXED CARBON FILM	33K OHM 1/6 W 5% TA26	
		R823	LG0RD4700F608	RESISTOR, FIXED CARBON FILM	470 OHM 1/6 W 5% TA26	
		R824	LG0RD1000F608	RESISTOR, FIXED CARBON FILM	100 OHM 1/6 W 5% TA26	
		R825	LG0RD5600F608	RESISTOR, FIXED CARBON FILM	560 OHM 1/6 W 5% TA26	
		R826	LG0RD1801F608	RESISTOR, FIXED CARBON FILM	1.8K OHM 1/6 W 5% TA26	
		R827	LG0RD1001F608	RESISTOR, FIXED CARBON FILM	1K OHM 1/6 W 5% TA26	
		R828	LG0RD1001F608	RESISTOR, FIXED CARBON FILM	1K OHM 1/6 W 5% TA26	
		R830	LG0RD4701F608	RESISTOR, FIXED CARBON FILM	4.7K OHM 1/6 W 5% TA26	

VHR-H773SP

S	AL	LOCA. NO.	PART NO.	DESCRIPTION	SPECIFICATION	REMARKS
		R831	LG0RD4701F608	RESISTOR, FIXED CARBON FILM	4.7K OHM 1/6 W 5% TA26	
		R8R1	LG0RD5600F608	RESISTOR, FIXED CARBON FILM	560 OHM 1/6 W 5% TA26	
		R8R2	LG0RD5600F608	RESISTOR, FIXED CARBON FILM	560 OHM 1/6 W 5% TA26	
		R901	LG0RD0752F608	RESISTOR, FIXED CARBON FILM	75 OHM 1/6 W 5.00% TA26	
		R902	LG0RD0752F608	RESISTOR, FIXED CARBON FILM	75 OHM 1/6 W 5.00% TA26	
		R903	LG0RD4701F608	RESISTOR, FIXED CARBON FILM	4.7K OHM 1/6 W 5% TA26	
		R904	LG0RD4702F608	RESISTOR, FIXED CARBON FILM	47K OHM 1/6 W 5% TA26	
		R905	LG0RD5600F608	RESISTOR, FIXED CARBON FILM	560 OHM 1/6 W 5% TA26	
		R906	LG0RD5600F608	RESISTOR, FIXED CARBON FILM	560 OHM 1/6 W 5% TA26	
		R911	LG0RD0752F608	RESISTOR, FIXED CARBON FILM	75 OHM 1/6 W 5.00% TA26	
		R912	LG0RD0752F608	RESISTOR, FIXED CARBON FILM	75 OHM 1/6 W 5.00% TA26	
		R913	LG0RD5600F608	RESISTOR, FIXED CARBON FILM	560 OHM 1/6 W 5% TA26	
		R914	LG0RD5600F608	RESISTOR, FIXED CARBON FILM	560 OHM 1/6 W 5% TA26	
		R943	LG0RD1501F608	RESISTOR, FIXED CARBON FILM	1.5K OHM 1/6 W 5% TA26	
		R964	LG0RD8200F608	RESISTOR, FIXED CARBON FILM	820 OHM 1/6 W 5% TA26	
		R965	LG0RD1001F608	RESISTOR, FIXED CARBON FILM	1K OHM 1/6 W 5% TA26	
		R9C1	LG0RD1202F608	RESISTOR, FIXED CARBON FILM	12K OHM 1/6 W 5% TA26	
		R9C2	LG0RD1002F608	RESISTOR, FIXED CARBON FILM	10K OHM 1/6 W 5% TA26	
		R9F1	LG0RD4701F608	RESISTOR, FIXED CARBON FILM	4.7K OHM 1/6 W 5% TA26	
		R9F2	LG0RD4701F608	RESISTOR, FIXED CARBON FILM	4.7K OHM 1/6 W 5% TA26	
		R9F3	LG0RD0752F608	RESISTOR, FIXED CARBON FILM	75 OHM 1/6 W 5.00% TA26	
		RC501	LG6712R1938GB	REMOTE CONTROLLER RECEIVER	TSOP2238WE1 VISHAY 37.9KHZ 19M	
		ES501	LG4931R-0050C	HOLDER ASSEMBLY	END (DI)	
		ES502	LG4931R-0050C	HOLDER ASSEMBLY	END (DI)	
	⚠	IC102	LG657-062B	SENSOR	PC123Y PHOTO-COUPLER(SARPH)	ALTERNATE
	⚠	IC102	LG6500RDB010A	SENSOR	PC123YN2 SHARP PHOTOCOUPLER	ALTERNATE
	⚠	IC102	LG657-063A	SENSOR	LTV-817B, PHOTO COUPLER(LITEON)	
		RS501	LG6500RAB003A	SENSOR	SG-260 KODENSHI D33 REEL SENSO	
		RS501	LG6500RAB007A	SENSOR	GP1S566V SHARP REEL SENSOR OF	ALTERNATE
		RS502	LG6500RAB003A	SENSOR	SG-260 KODENSHI D33 REEL SENSO	
		RS502	LG6500RAB007A	SENSOR	GP1S566V SHARP REEL SENSOR OF	ALTERNATE
		CS501	LG6600M000002	SWITCH,PUSH	MPU11810MLB0 MIC DC 5V 1MA D-3	
		MS501	LG6600JB8005B	SWITCH,MODE	NON 5V 1MA VERTICAL -G	
		MS501	LG6600JB8005C	SWITCH,MODE	MMS00721ZMB0 MIC 5VDC 1MA D-35	ALTERNATE
		SW5T1	LG556-213C	SWITCH,DETECTOR	THVV951BAA POSTECH DC 12 V 5-0	
		SW5T10	LG556-213C	SWITCH,DETECTOR	THVV951BAA POSTECH DC 12 V 5-0	
		SW5T11	LG556-213C	SWITCH,DETECTOR	THVV951BAA POSTECH DC 12 V 5-0	
		SW5T4	LG556-213C	SWITCH,DETECTOR	THVV951BAA POSTECH DC 12 V 5-0	
		SW5T5	LG556-213C	SWITCH,DETECTOR	THVV951BAA POSTECH DC 12 V 5-0	
		SW5T6	LG556-213C	SWITCH,DETECTOR	THVV951BAA POSTECH DC 12 V 5-0	
		SW5T7	LG556-213C	SWITCH,DETECTOR	THVV951BAA POSTECH DC 12 V 5-0	
	⚠	T101	LG642-015G	TRANSFORMER, SMPS[COIL]	SJE-015G/SHT-015G SJ/SH/CS/LSE	
		TU701	LG6700PFPG04F	TUNER	TCMK0601PD23C(GKI,SS) SS PAL F	ALTERNATE
		TU701	LG6700PFPL06F	TUNER	TADC-M401D(GKI, LGIT) LG INOTEK	
		X301	LG6202R2443AE	RESONATOR, CRYSTAL	HC49U SSANG TAE 4433709HZ 1	ALTERNATE
		X301	LG6202R2443AC	RESONATOR, CRYSTAL	HC49U BUBANG 4-433709MHZ 15	
		X301	LG6202R2443AG	RESONATOR, CRYSTAL	HC49U SSANGTAE 4-433709MHZ	ALTERNATE
		X501	LG6202R31001F	RESONATOR, CRYSTAL	HC-49S KEUMSEOK 10-0000MHZ 30P	ALTERNATE
		X501	LG6212AA2100C	RESONATOR, CRYSTAL	HC-49S BUBANG 10MHZ +/- 30 PPM	
		X502	LG529-001K	RESONATOR, CRYSTAL	- SEIKO 32-768KHZ - -	ALTERNATE
		X502	LG6202R-DA01A	RESONATOR, CRYSTAL	CFS-308 CITIZEN 32-768KHZ	
		X751	LG529-021Q	RESONATOR, CRYSTAL	49U BUBANG 18432000HZ 30PPM 16	
		X751	LG6212AA2184F	RESONATOR, CRYSTAL	HC-49U KYUNGIL 18.432MHZ +/- 3	ALTERNATE
		ZD151	LG0DZ130009AB	DIODE, ZENERS	MTZ13C TP ROHM-K	
		ZD503	LG0DZ620009AB	DIODE, ZENERS	MTZ6.2C TP ROHM - - - -	ALTERNATE
		ZD503	LG0DZ620009AM	DIODE, ZENERS	UZ-6.2BSC 26MM PYUNG CHANG TP	
		ZD801	LG0DZ562609BB	DIODE, ZENER	UZ-5.6BSB 26MM TP PYUNG CHANG	
		ZD802	LG0DZ562609BB	DIODE, ZENER	UZ-5.6BSB 26MM TP PYUNG CHANG	
		ZD803	LG0DZ130009AA	DIODE, ZENER	MTZ13A TP ROHM-K	

VHR-H773SP

S	AL	LOCA. NO.	PART NO.	DESCRIPTION	SPECIFICATION	REMARKS
		ZD804	LG0DZ130009AA	DIODE,ZENER	MTZ13A TP ROHM-K	
*** PWB(PCB) ASSEMBLY , TOTAL( LEFT KEY ) ***						
		A42	LG6871R-5882H	PWB(PCB) ASSEMBLY,TOTAL	FC PAL SANYO TOOL (LEFT KEY)	
		SW9Y6	LG556-219B	SWITCH,TACT	THVV502GAA POSTECH DC 12 V 5-	
		SW9Y6	LG556-282C	SWITCH,TACT	SKQNQED ALPS DC 12 V 50 MA TA	ALTERNATE
		SW9Y7	LG556-219B	SWITCH,TACT	THVV502GAA POSTECH DC 12 V 5-	
		SW9Y7	LG556-282C	SWITCH,TACT	SKQNQED ALPS DC 12 V 50 MA TA	ALTERNATE



---

SANYO Electric Co.,Ltd .  
Osaka, Japan